

SAFETY ORGANIZATION(S):

THIS FILTER HAS BEEN FORMALLY RECOGNIZED, CERTIFIED OR APPROVED BY THE LISTED AGENCY. THEREFORE, ALL TEST/REQUIREMENTS SPECIFIED IN THE LATEST REVISION OF THE FOLLOWING AGENCY STANDARDS HAVE BEEN MET:

UL 1283  
 CSA 22.2, NO.0,0.4,8  
 VDE 565-3

OPERATING SPECIFICATIONS:

LINE VOLTAGE/CURRENT:  
 20 AMP., 120/250 VAC  
 16 AMP./40°C, 250 VAC  
 50-60Hz  
 30°C  
 .5 mA at 120V 60 Hz  
 1.0 mA at 250V 50 Hz  
 -10°C TO +40°C @ RATED CURRENT, I<sub>r</sub>

LINE FREQUENCY:  
 MAX. CASE RISE @ RATED CURRENT:  
 MAX. LEAKAGE CURRENT, EACH LINE TO GROUND  
 OPERATING AMBIENT TEMP. RANGE:  
 IN AN AMBIENT, T<sub>a</sub>, HIGHER THAN 40°C, THE MAXIMUM OPERATING CURRENT, I<sub>o</sub>, IS AS FOLLOWS:

$$I_o = I_r \sqrt{\frac{85-T_a}{45}}$$

RELIABILITY SPECIFICATIONS:

STORAGE TEMPERATURE:  
 HUMIDITY:  
 CURRENT OVERLOAD TEST:  
 6 TIMES RATED CURRENT FOR 8 SECONDS

TEST SPECIFICATIONS:

INDUCTANCE: .44 mH NOMINAL  
 CAPACITANCE: (MEASURED @ 1 KHz, 0.25 VAC MAX., 25°C ±1°C)  
 LINE TO GROUND: .011µF ±20%  
 LINE TO LINE: .203µF ±20%  
 DISCHARGE RESISTOR 1.5MΩ  
 LINE/GROUND AND LINE/LINE 6000 MΩ (MIN) AT 100 VDC  
 INSULATION RESISTANCE 20°C AND 50% RH

RECOMMENDED RECEIVING INSPECTION HIPOUT:

LINES TO GROUND: 2250 VDC FOR 1 MINUTE  
 LINE TO LINE: 1450 VDC FOR 1 MINUTE

FILTER APPROVAL:

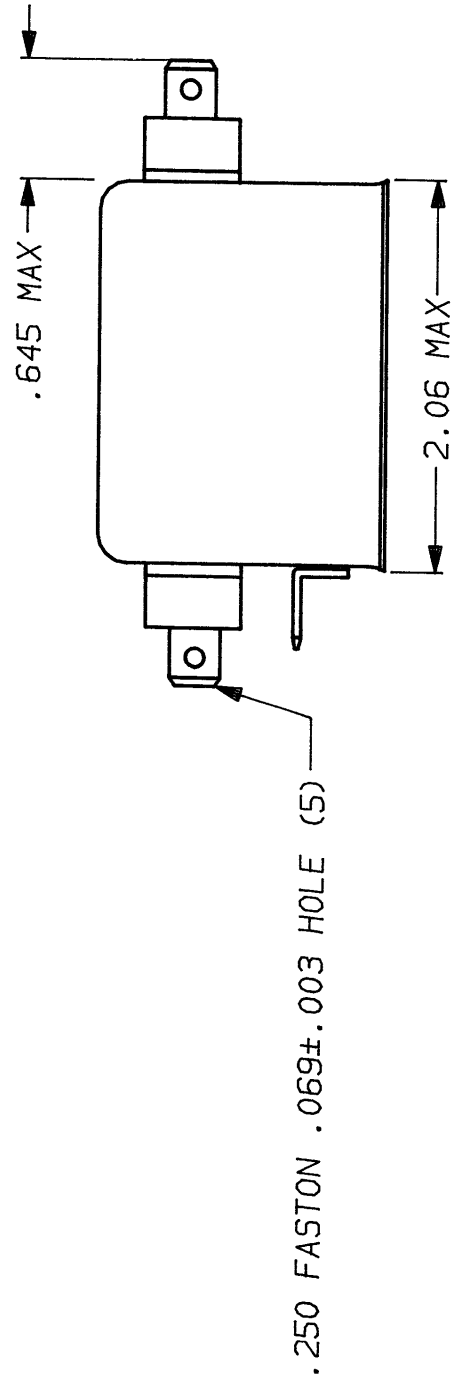
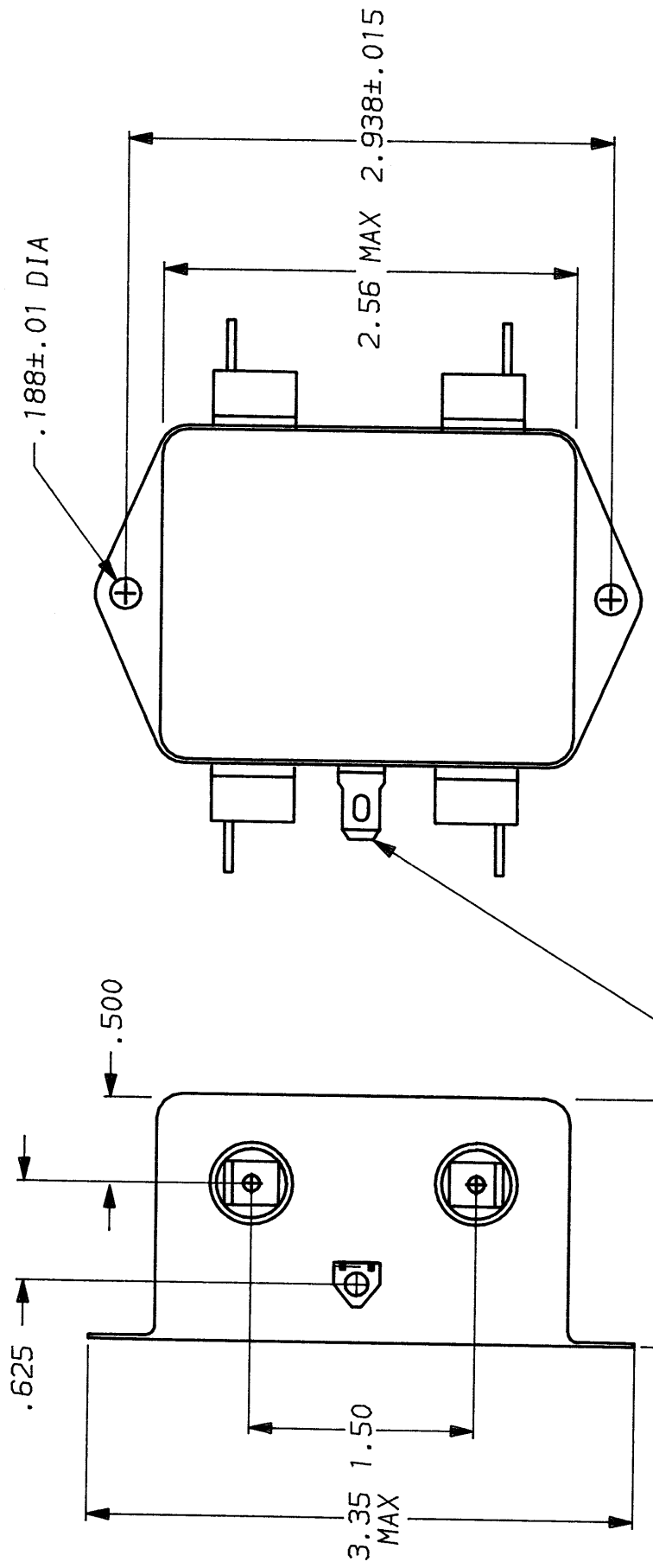
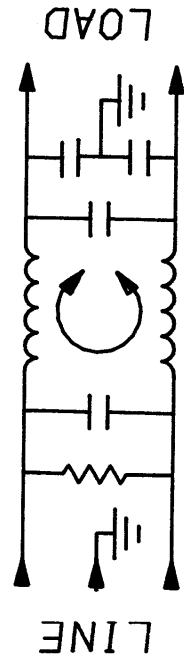
THE BEST WAY TO SELECT AND QUALIFY A FILTER IS FOR YOUR ENGINEERING TO TEST THE UNIT IN YOUR EQUIPMENT.

TOLERANCE EXCEPT AS NOTED

DECIMAL: .XXX .XX .X ANGLES ± 1°  
 ENGLISH: ±.025  
 METRIC: ±  
 MATERIAL: AS SUPPLIED

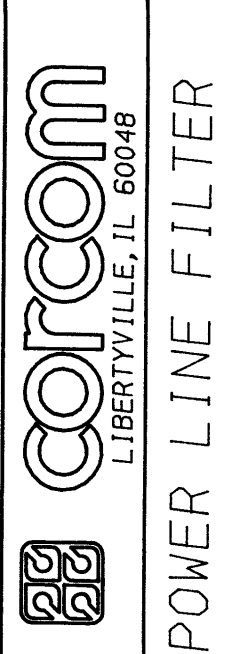
FINISH:

AS SUPPLIED



FREQUENCY MHZ	50Ω - 50Ω (MINIMUM) INSERTION LOSS									
	.15	.4	.5	1	2	5	10	20	30	
COMMON dB	9	22	25	34	39	44	47	50	51	
DIFF. dB	5	5	20	40	55	50	40	30	30	

This document is proprietary to CORCOM INC. and is not to be reproduced nor used for manufacturing purposes except on CORCOM's order or prior written consent.



**POWER LINE FILTER**

SCALE	DATE	DRG. NO.	REV.
NTS	7-31-90	20VK1	06
DRW. BY	ORIGINATOR		
CFW	CFW		

# Mouser Electronics

Authorized Distributor

Click to View Pricing, Inventory, Delivery & Lifecycle Information:

[TE Connectivity:](#)

[20VK1](#) [1-6609028-7](#)