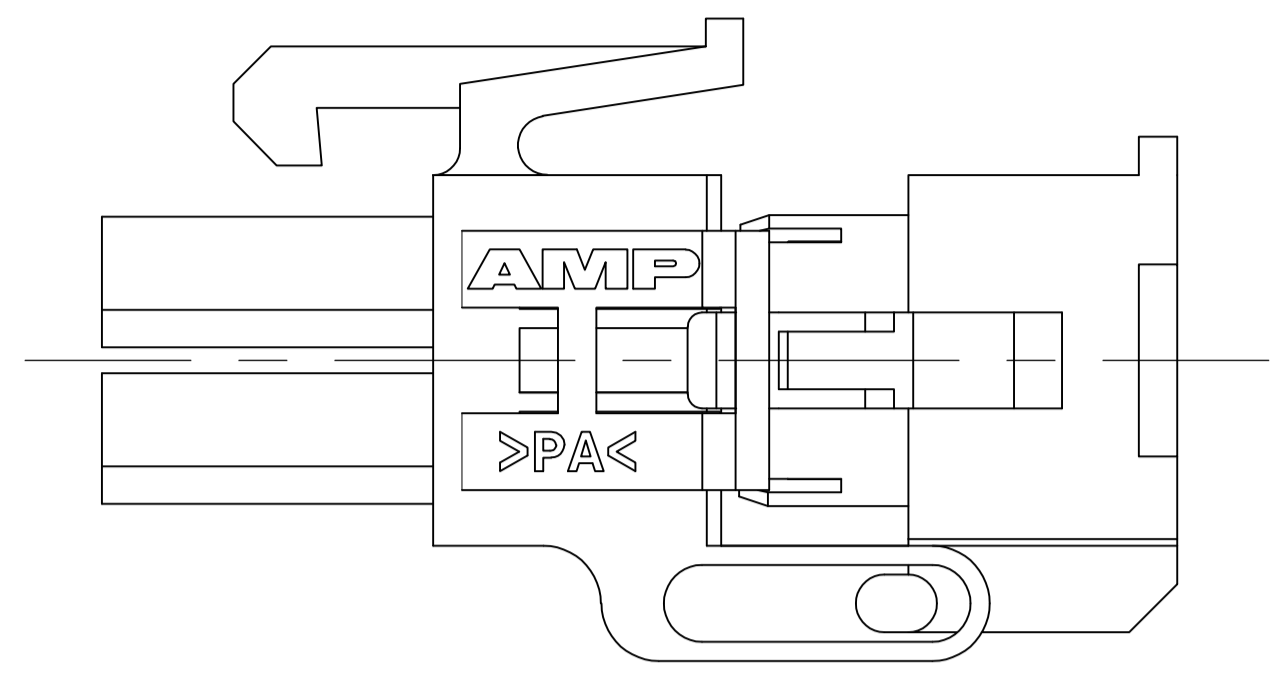
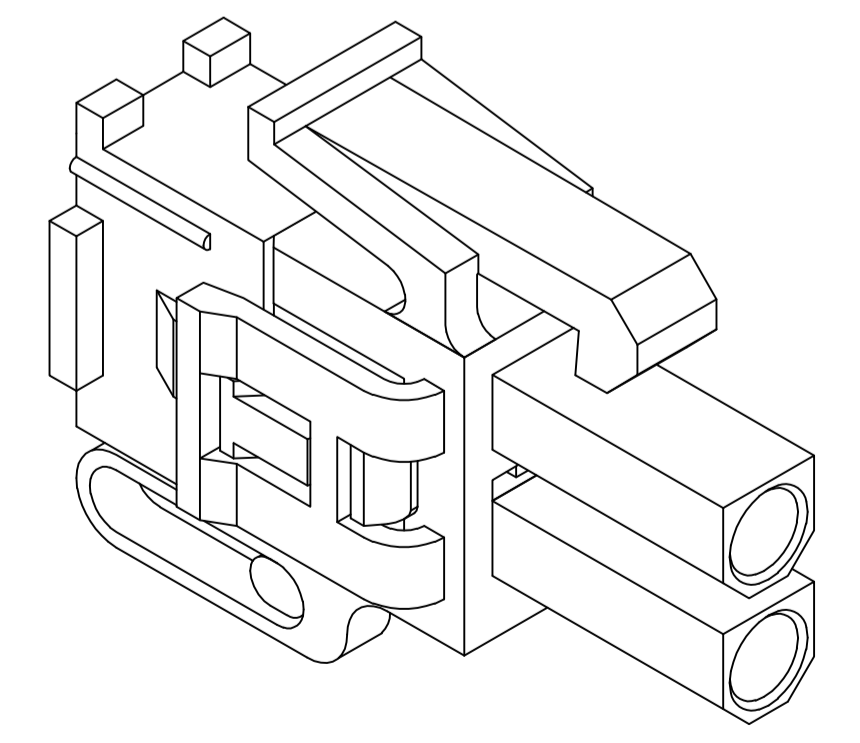
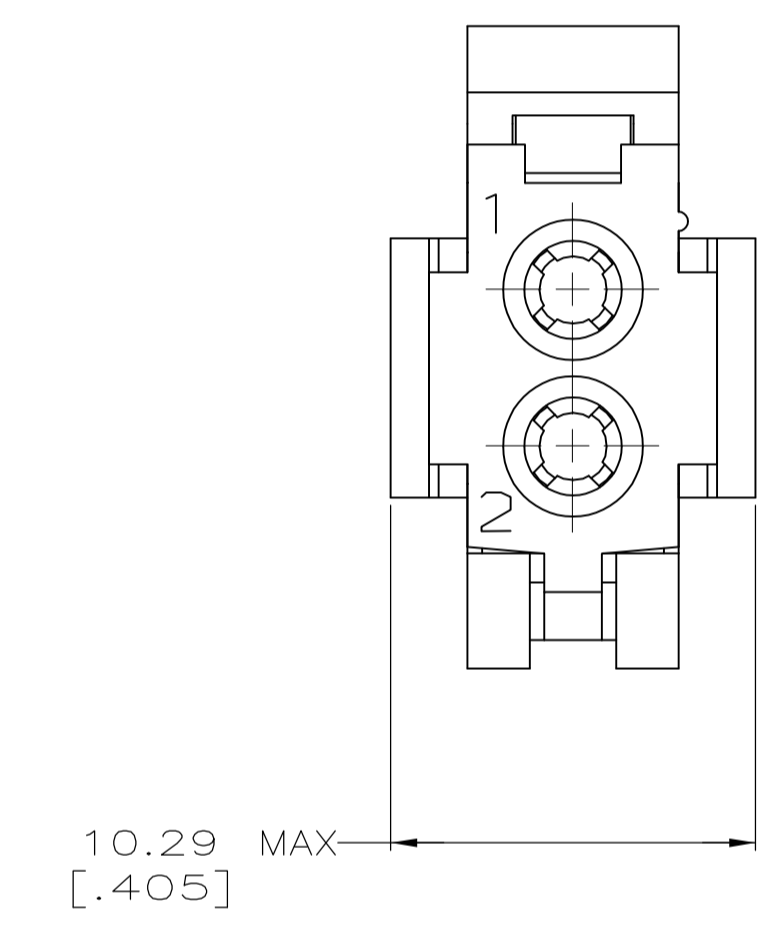
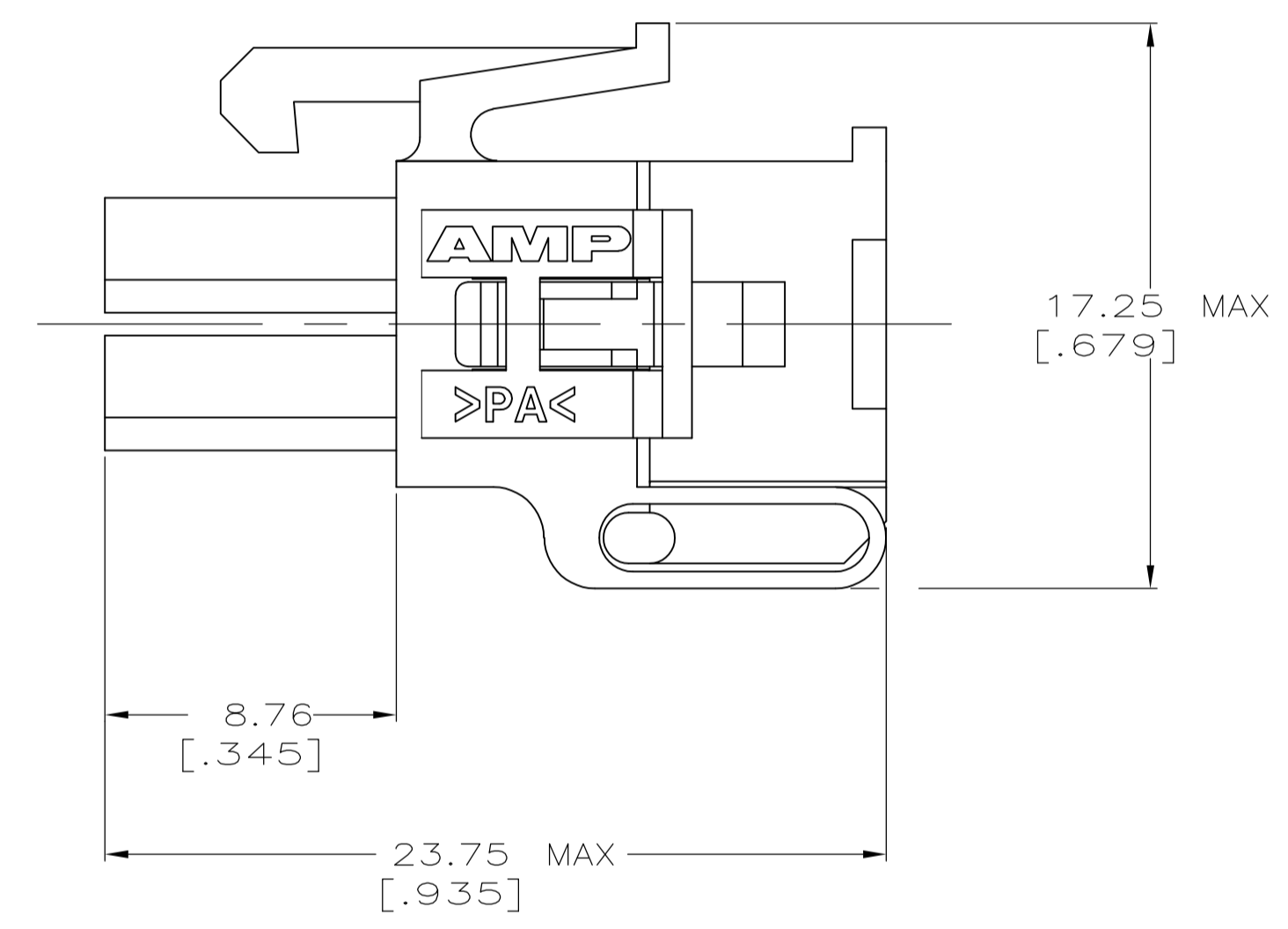
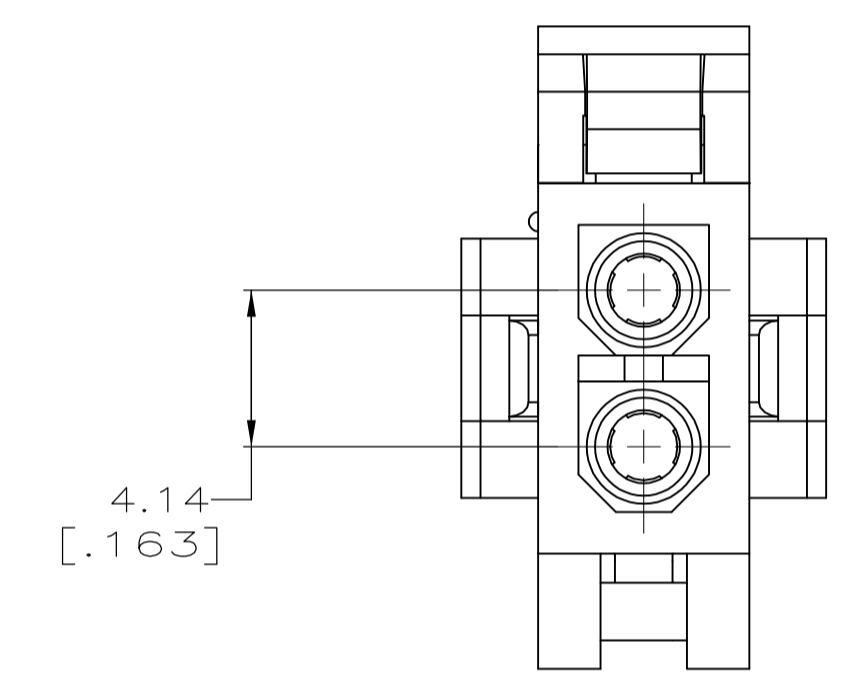


LOC		DIST		REVISIONS			
P	LTR	DESCRIPTION	DATE	DWN	APVD		
C1		REVISED PER ECO-11-005027	11MAR11	RK	HMR		



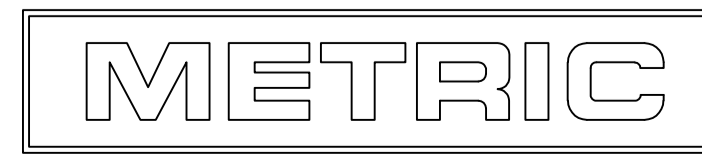
PRE-STAGED CONDITION

1. DIMENSIONS IN BRACKETS ARE IN INCHES.



3-DIMENSIONAL MODEL  
NTS

794184-1  
PART NUMBER



THIS DRAWING IS A CONTROLLED DOCUMENT.		DWN K. WHITAKER 5-09-97	TE Connectivity
DIMENSIONS: MM(INCHES)		CHK R. SWING 5-09-97	
TOLERANCES UNLESS OTHERWISE SPECIFIED:		APVD R. ORSTAD 5-09-97	NAME
0. PLC ± -			PLUG, 2 CIRCUIT, MINI UNIVERSAL MATE-N-LOK™ 2
1. PLC ± -			PRODUCT SPEC
2. PLC ± 0.13[.005]			APPLICATION SPEC
3. PLC ± -			SIZE
4. PLC ± -			CAGE CODE
ANGLES ± 0° 30'			DRAWING NO
MATERIAL NYLON, UL 94V-0,NATURAL	FINISH -	WEIGHT -	RESTRICTED TO
CUSTOMER DRAWING		SCALE 5:1	SHEET 1 OF 1
		REV C1	

# Mouser Electronics

Authorized Distributor

Click to View Pricing, Inventory, Delivery & Lifecycle Information:

[TE Connectivity:](#)

[794184-1](#)