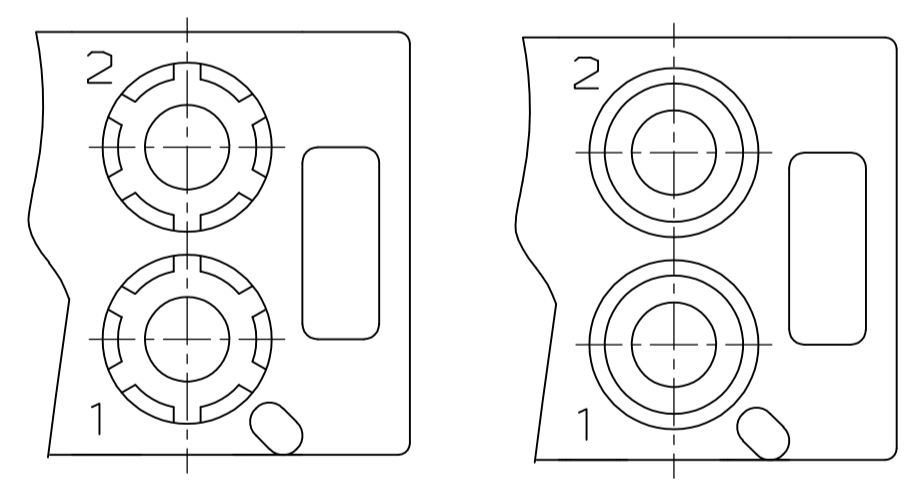
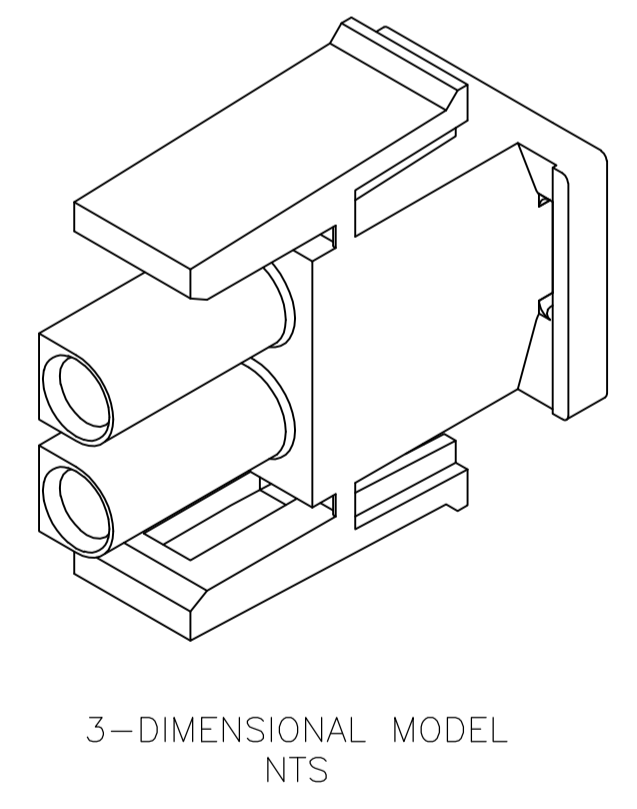
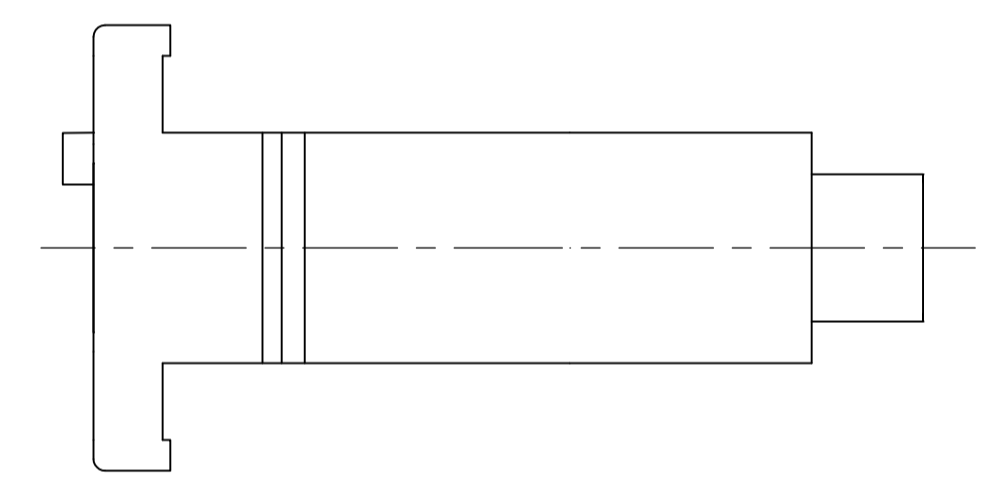
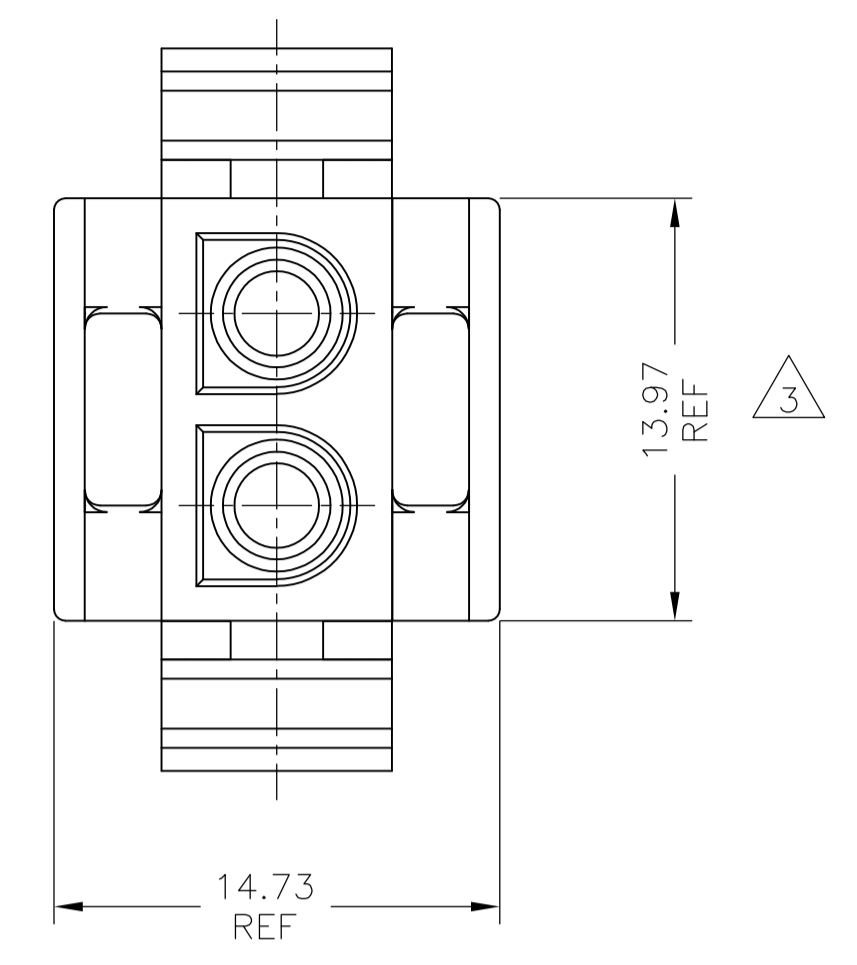
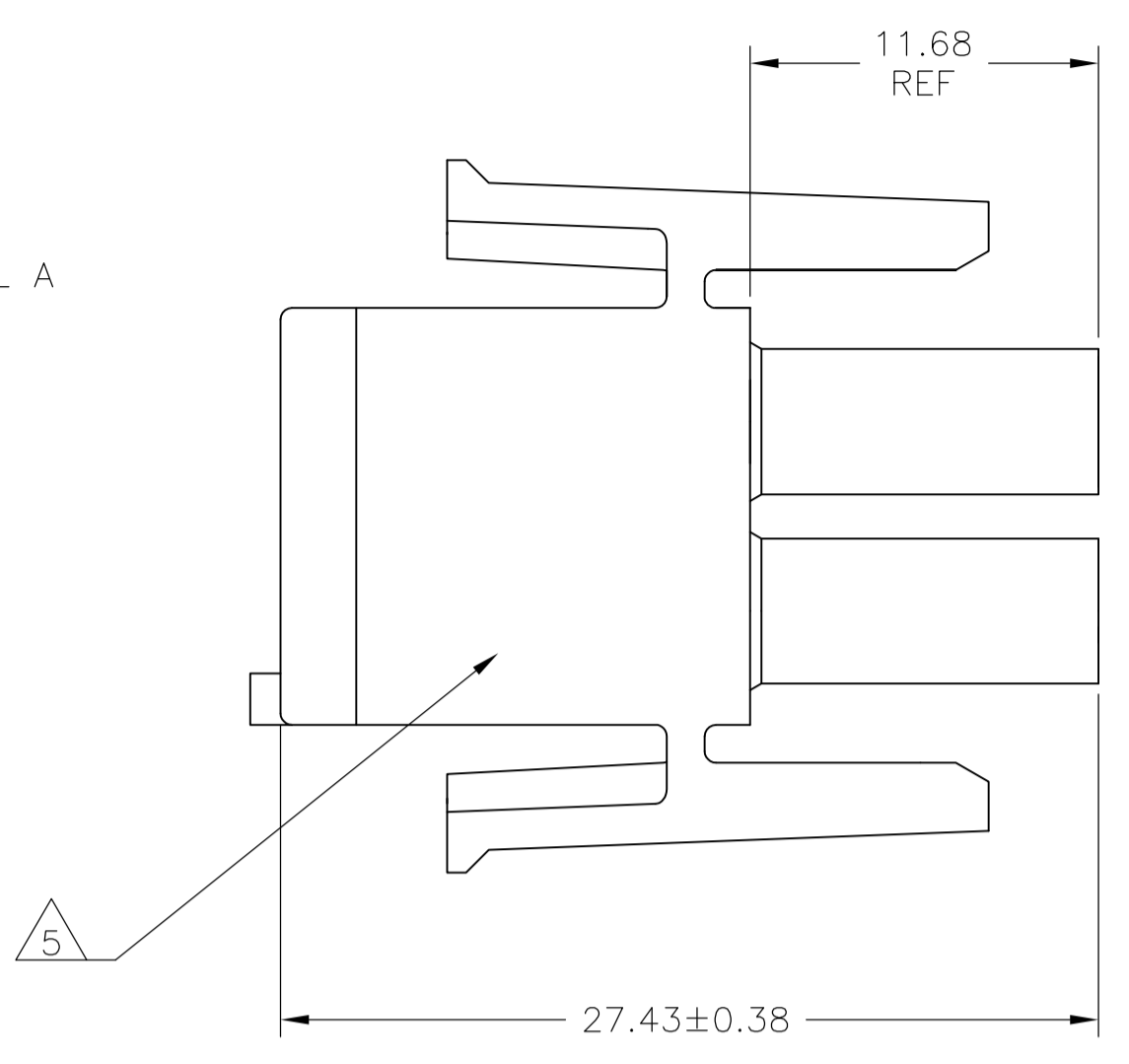
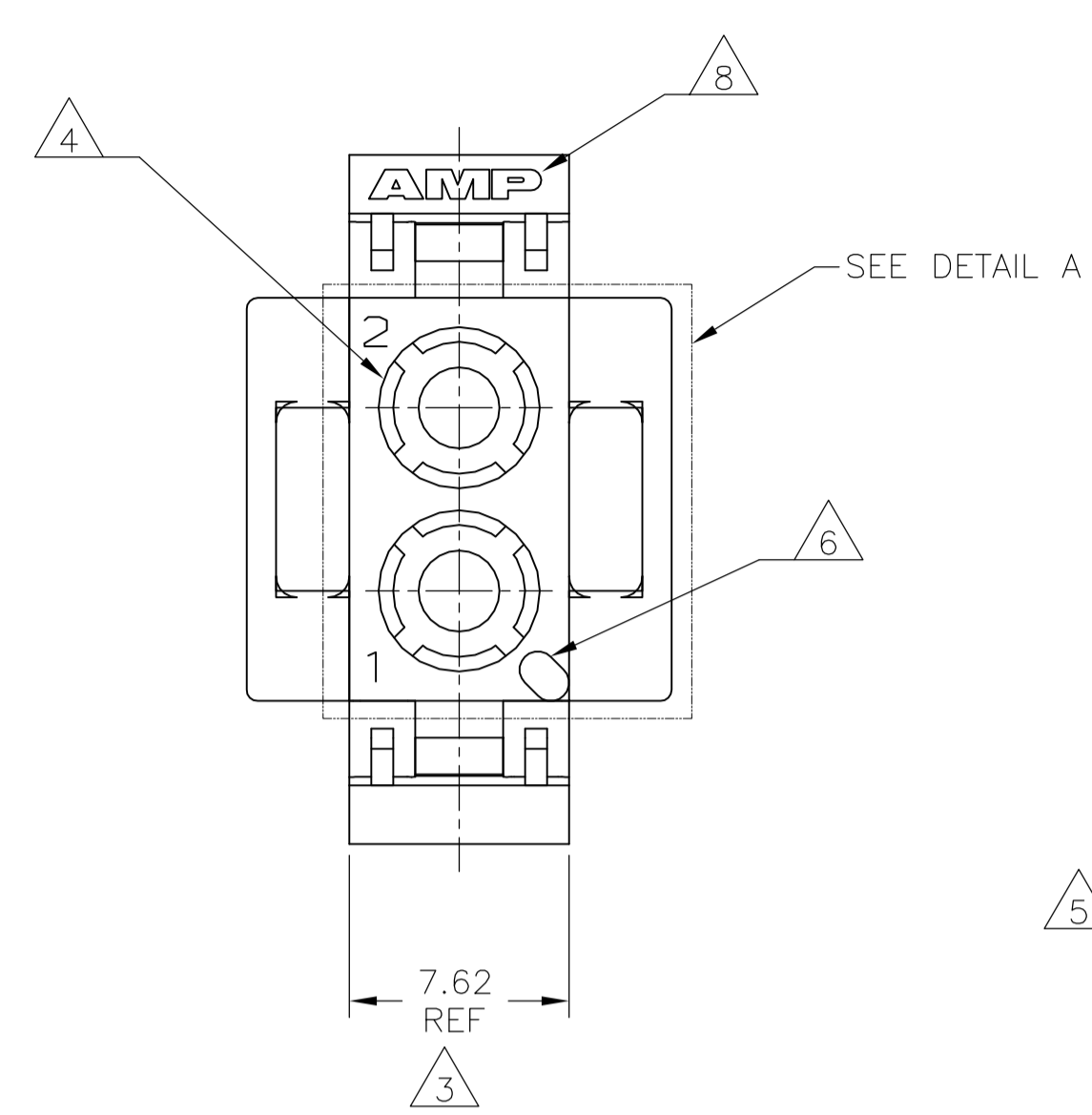


REVISIONS				
P	LTR	DESCRIPTION	DATE	APPV
AH4	REVISED PER	ECR-16-004722	04APR2016	BW EW



- 1 MATES WITH APPROPRIATE UNIVERSAL MATE-N-LOK™ CAP OR HEADER.
- 2 SMALL NICKS ARE PERMITTED ON THE CIRCUIT TOWERS WHICH COULD INCREASE THE INITIAL HOUSING MATING FORCE BY UP TO 4.4 NEWTONS [1.0 LBS]. NO INDIVIDUAL NICKED TOWER SHALL INCREASE THIS FORCE BY OVER 2.2 NEWTONS [.5 LBS].
- 3 DIMENSION INDICATED IS AS MOLDED. ADDITIONAL GROWTH DUE TO SUBSEQUENT MOISTURE ABSORPTION MAY OCCUR.
- 4 FOUR RIBS EQUALLY SPACED, NO SPECIFIC ORIENTATION. NO RIBS OR SIX RIBS EQUALLY SPACED, NO SPECIFIC ORIENTATION, OPTIONAL.
- 5 UNDERWRITERS RECOGNIZED COMPONENT LOGO AND CSA CERTIFICATION LOGO TO BE LOCATED ONCE ON ANY SIDE OF HOUSING.
- 6 POSITION #1 LOCATOR FEATURE MAY BE ROUND OR OBLONG (AS DEPICTED).
- 7 OBSOLETE PARTS: OBSOLETE CIS STREAMLINING PER D.RENAUD/D.SINISI
- 8 SHOWN FOR CONVENIENCE; AMP LOGO MAY BE ON ANY EXTERNAL SURFACE.

MM	IN
27.43	1.080
14.73	.580
13.97	.550
11.68	.460
7.62	.300
0.38	.015
0.13	.005
MM	IN

CONVERSION TABLE

OBVIOUS	COLOR	PART NUMBER
OBVIOUS	BLACK	1-480698-9
OBVIOUS	GRAY	1-480698-8
OBVIOUS	BLUE	1-480698-6
OBVIOUS	GREEN	1-480698-5
OBVIOUS	YELLOW	1-480698-4
OBVIOUS	ORANGE	1-480698-3
OBVIOUS	RED	1-480698-2
OBVIOUS	BROWN	1-480698-1
OBVIOUS	NATURAL	1-480698-0
OBVIOUS	COLOR	PART NUMBER

THIS DRAWING IS A CONTROLLED DOCUMENT.

DIMENSIONS:	TOLERANCES UNLESS OTHERWISE SPECIFIED:	DIN	K. WHITAKER	22JUL05
mm	0. PLC ± -	CHK	S. RIDGILL	22JUL05
	1. PLC ± -	APPV	S. RIDGILL	22JUL05
	2. PLC ± 0.13	NAME	PLUG, 2 CIRCUIT, UNIVERSAL MATE-N-LOK	
	3. PLC ± -	PRODUCT SPEC		
	4. PLC ± -	APPLICATION SPEC		
	ANGLES ± -	SIZE	A1	00779
MATERIAL	FINISH	WEIGHT	C=480698	
NYLON	-	CUSTOMER DRAWING	SCALE	4:1
			SHEET	1 of 1
			REV	AH4

STE TE Connectivity

Mouser Electronics

Authorized Distributor

Click to View Pricing, Inventory, Delivery & Lifecycle Information:

[TE Connectivity:](#)

[1-480698-0](#)