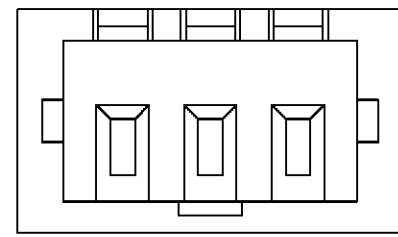
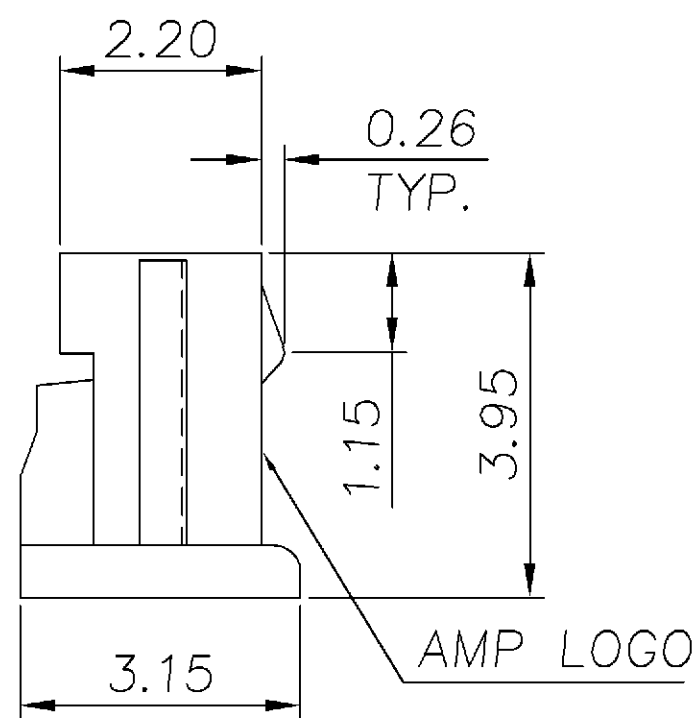


2 POS.



3 POS.



NOTE:
 1. MATERIAL:
 HOUSING: THERMOPLASTIC, UL 94V-0,
 COLOR: NATURAL.
 2. APPLY TERMINAL PART NO: X-440147-X.

15	20.50	19.20	17.50	1-440146-5
14	19.25	17.95	16.25	1-440146-4
13	18.00	16.70	15.00	1-440146-3
12	16.75	15.45	13.75	1-440146-2
11	15.50	14.20	12.50	1-440146-1
10	14.25	12.95	11.25	1-440146-0
9	13.00	11.70	10.00	440146-9
8	11.75	10.45	8.75	440146-8
7	10.50	9.20	7.50	440146-7
6	9.25	7.95	6.25	440146-6
5	8.00	6.70	5.00	440146-5
4	6.75	5.45	3.75	440146-4
3	5.50	4.20	2.50	440146-3
2	4.25	2.95	1.25	440146-2
POS.	A	B	C	PART NUMBER
	DIMENSIONS			

DIMENSIONS IN MILLIMETERS. DO NOT SCALE PRINT.

PRINT DIST
DW

DIMENSION : 0 PLC ± 1 PLC ±0.15 2 PLC ±0.10 3 PLC ±0.05 ANGLES ±3'	DWN	O. HU	TE Connectivity NAME WIRE TO BOARD SOCKET, HOUSING, 1.25 PITCH.
	CHK	A. WU	
MATERIAL SEE NOTE	APVD	J. CHENG	LOC DW A ₃ DRAWING NO C-440146 REV B1 SCALE -- SHEET 1 OF 2
	PRODUCT SPEC	29-JUL-2003	
FINISH SEE NOTE	QUALIFICATION TEST REPORT	501-57229	WEIGHT SHEET 1 OF 2
	WEIGHT		

B1	REVISION RECORD	ECO	REVISOR	DATE
			RK HMR 02APR11	
			DWN CHK	

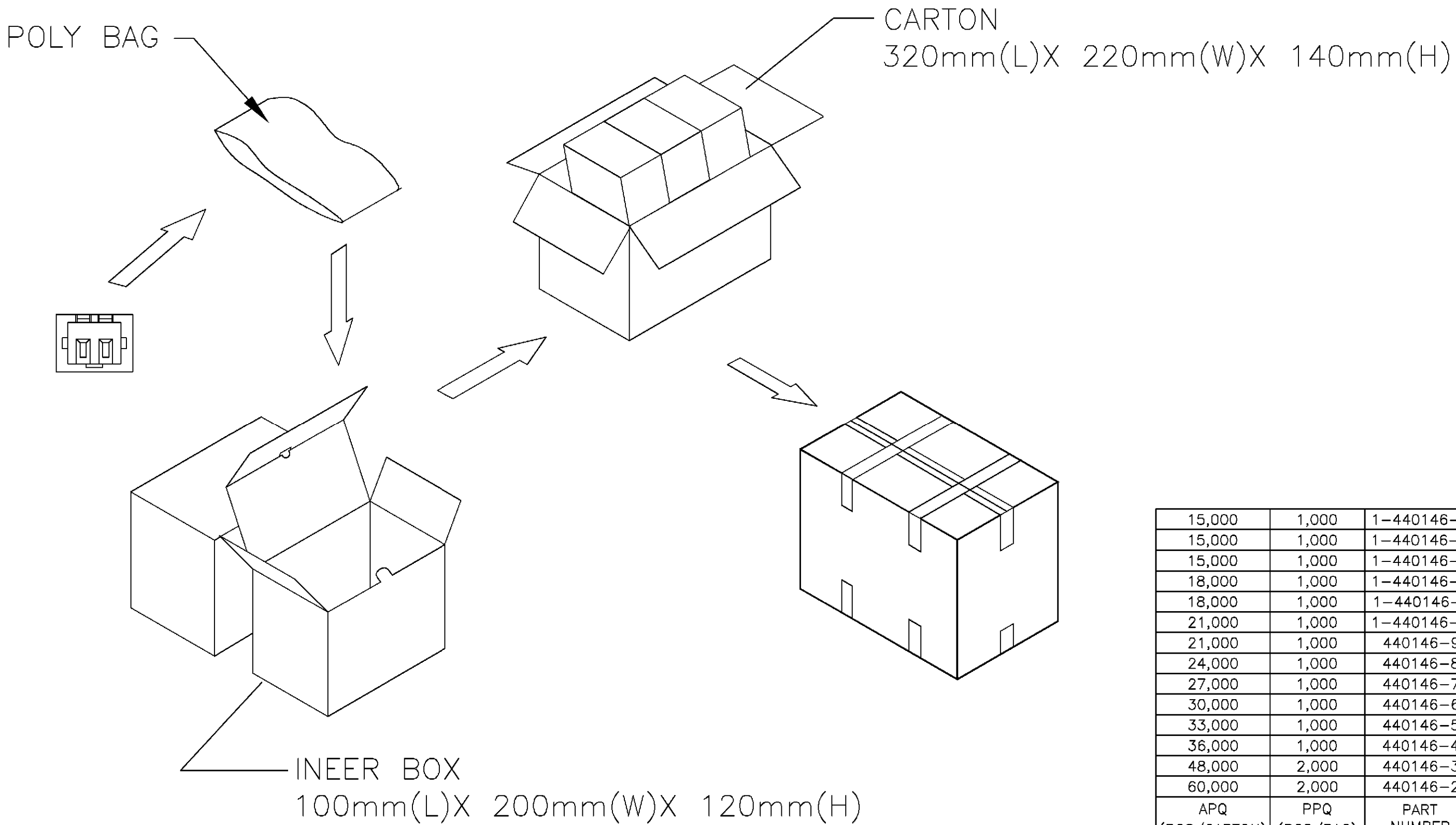
NUMBER
C-440146

METRIC
3RD ANGLE PROJECTION

METRIC

DIMENSIONS IN MILLIMETERS. DO NOT SCALE PRINT.

PRINT
DW



15,000	1,000	1-440146-5
15,000	1,000	1-440146-4
15,000	1,000	1-440146-3
18,000	1,000	1-440146-2
18,000	1,000	1-440146-1
21,000	1,000	1-440146-0
21,000	1,000	440146-9
24,000	1,000	440146-8
27,000	1,000	440146-7
30,000	1,000	440146-6
33,000	1,000	440146-5
36,000	1,000	440146-4
48,000	2,000	440146-3
60,000	2,000	440146-2
APQ (PCS/CARTON)	PPQ (PCS/BAG)	PART NUMBER

DIMENSION : 0 PLC ± 1 PLC ±0.15 2 PLC ±0.10 3 PLC ±0.05 ANGLES ±3°	DWN	O. HU	
	CHK	A. WU	
MATERIAL	APVD	J. CHENG	NAME WIRE TO BOARD SOCKET, HOUSING, 1.25 PITCH.
	PRODUCT SPEC	29-JUL-2003	
FINISH	QUALIFICATION TEST REPORT	LOC	SIZE
	WEIGHT	DW	DRAWING NO
SEE NOTE	SEE NOTE	SCALE	REV
SEE NOTE	SEE NOTE	SHEET	

LTR	REVISION RECORD	SEE SHEET 1.	ECO	DWN	CHK	DATE
-----	-----------------	--------------	-----	-----	-----	------

D
C
B
A

Mouser Electronics

Authorized Distributor

Click to View Pricing, Inventory, Delivery & Lifecycle Information:

[TE Connectivity:](#)

[1-440146-2](#)