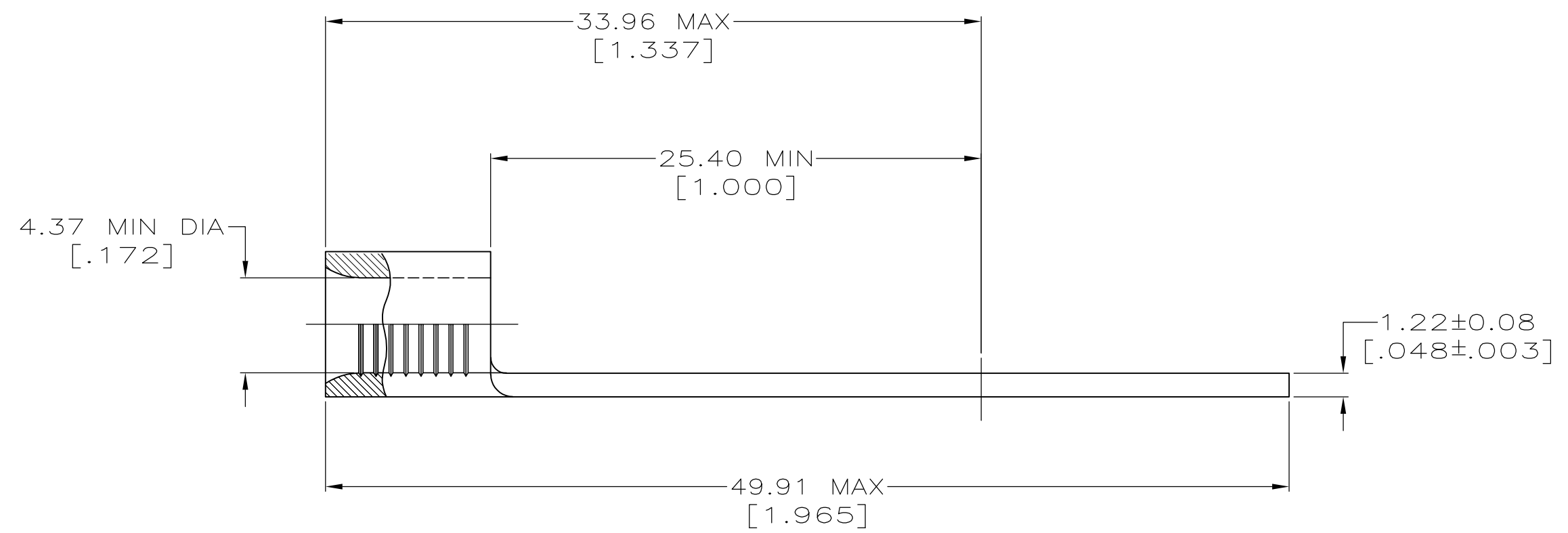
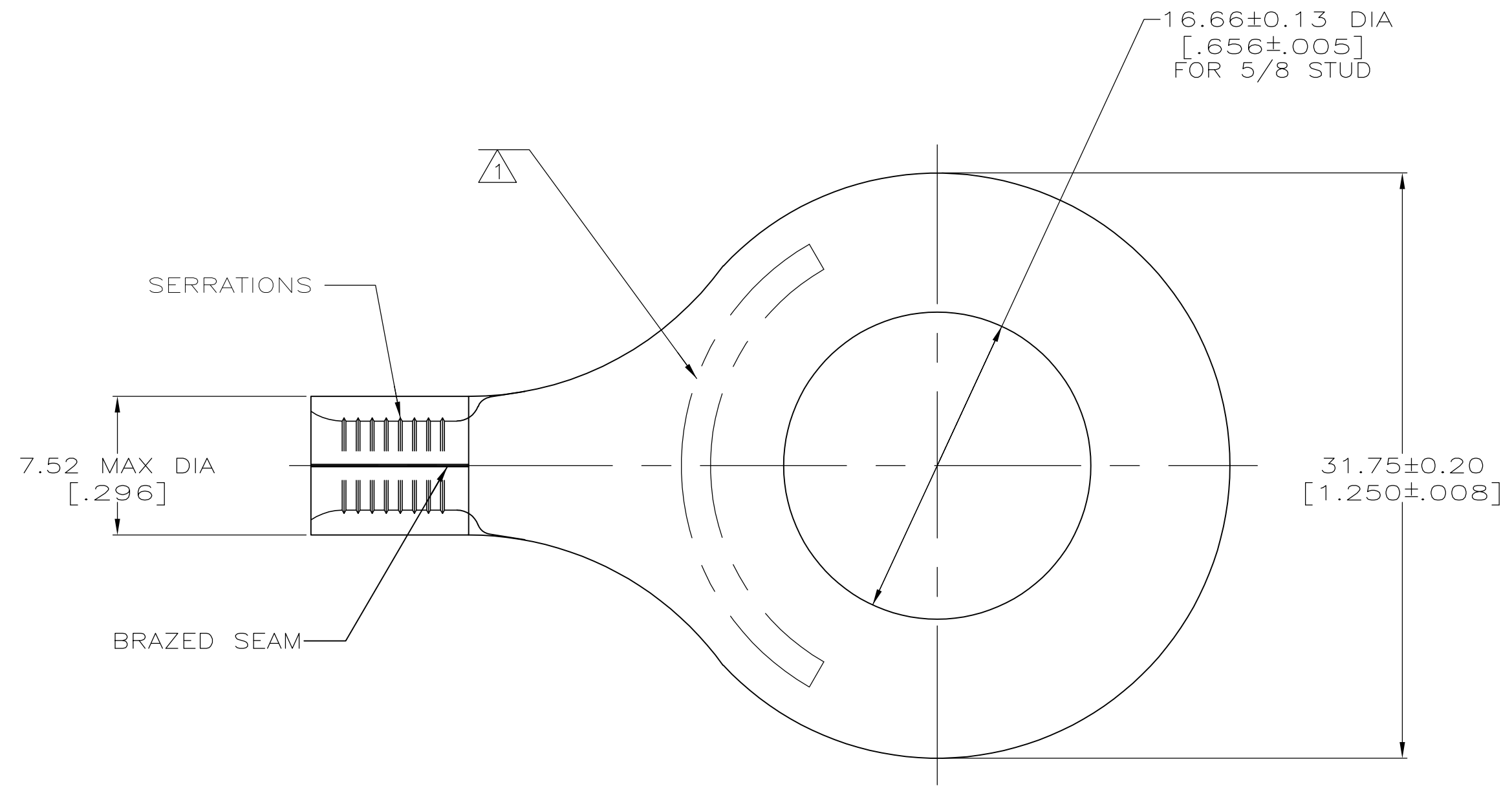


THIS DRAWING IS UNPUBLISHED. RELEASED FOR PUBLICATION
 © COPYRIGHT - By - ALL RIGHTS RESERVED.

LOC	DIST	REVISIONS			DAP		
P	LTR	DESCRIPTION	DATE	DWN	APVD		
G	14	D2	REVISED PER ECO-11-005027	11MAR11	RK	HMR	



AMP WIRE RANGE	Listed FILE E13288	LR7189 Certified
8 AWG SOLID OR STRANDED	8 AWG STRANDED	8 AWG SOLID OR STRANDED

- STAMP AMP 8* APPROX AS SHOWN
- COPPER PER ASTM B-152, ANNEALED
- TIN PLATE 0.00254 [.000100] MIN THK PER ASTM B-545

35665
 PART NO.

MAX RECOMMENDED OPERATING TEMPERATURE: 170°C VOLTAGE RATING: N/A CIRCULAR MIL AREA: 6.64-10.5mm² [13,100-20,800] SOLID OR STRANDED	THIS DRAWING IS A CONTROLLED DOCUMENT.		DWN TA BRINKMAN 3-24-93	TE Connectivity NAME TERMINAL, RING TONGUE, SOLISTRAND	SIZE A2	CAGE CODE 00779	DRAWING NO G-35665	RESTRICTED TO -
	DIMENSIONS: mm[INCHES]	TOLERANCES UNLESS OTHERWISE SPECIFIED: 0 PLC ± - 1 PLC ± - 2 PLC ± - 3 PLC ± - 4 PLC ± - ANGLES ± ± - FINISH	CHK DA PATTERSON 3-24-93 APVD JL MECKLEY 3-24-93 PRODUCT SPEC - APPLICATION SPEC - WEIGHT -					
	MATERIAL -2	FINISH -3	CUSTOMER DRAWING					

Mouser Electronics

Authorized Distributor

Click to View Pricing, Inventory, Delivery & Lifecycle Information:

[TE Connectivity:](#)

[35665](#)