

THIS DRAWING IS UNPUBLISHED.

RELEASED FOR PUBLICATION

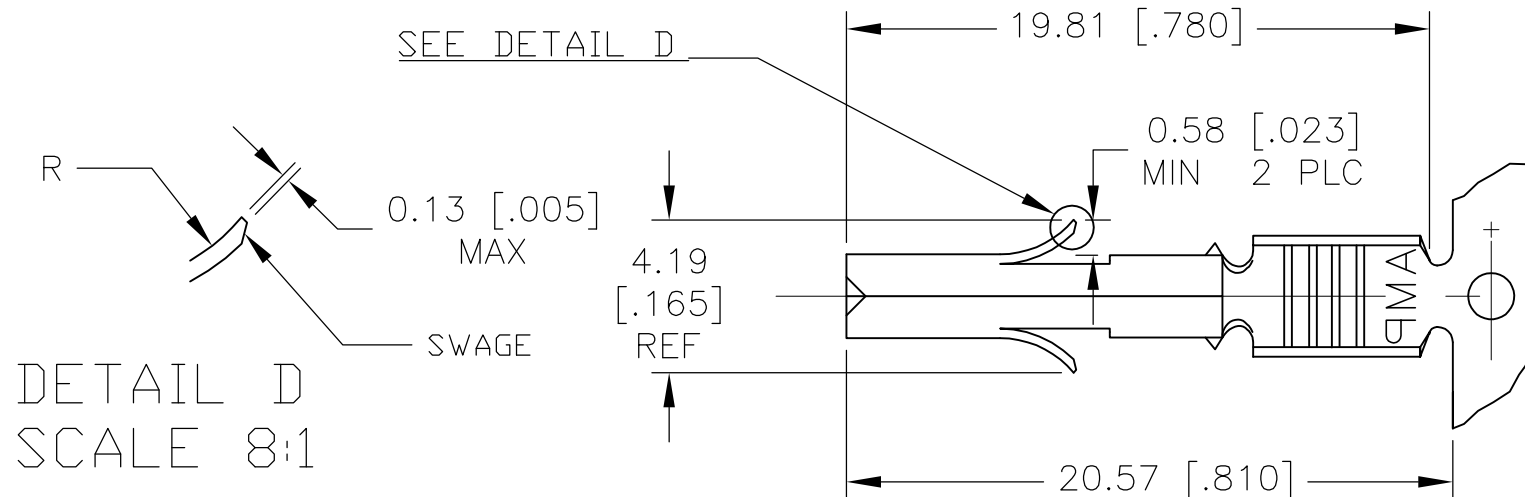
ALL RIGHTS RESERVED.

© COPYRIGHT - By -

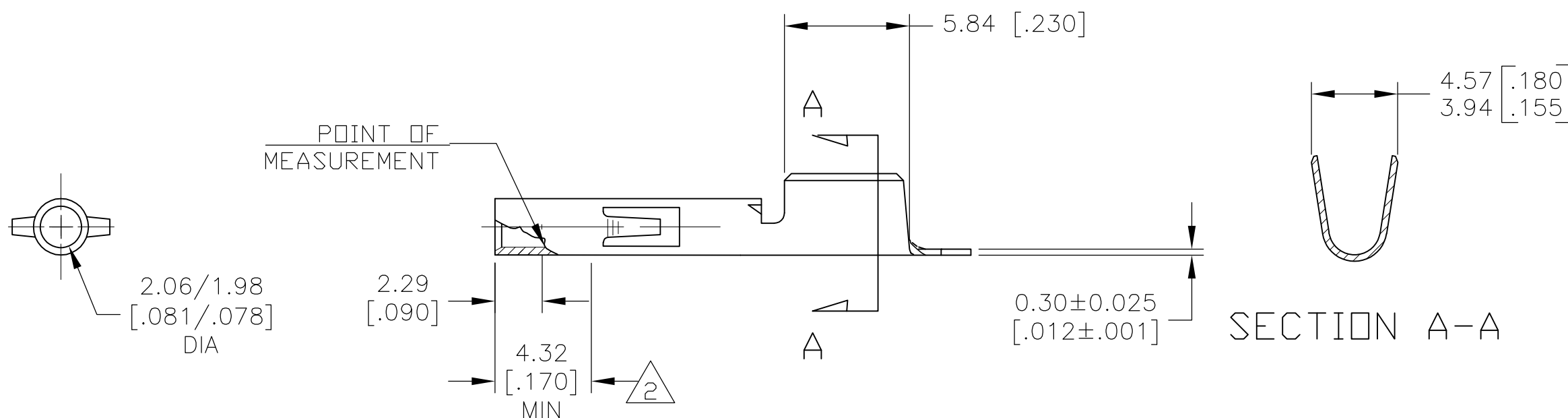
LOC AF DIST 58

REVISIONS

P	LTR	DESCRIPTION	DATE	DWN	APVD
	S3	REV PER ECO-15-012003	18AUG15	JR	EW



- WIRE RANGE : 12-10 AWG  
INSULATION RANGE: 5.08 [.200] DIA MAX (LIMITED BY THE CONNECTOR HOUSING CAVITY).
- 0.00076 [.000030] THK GOLD, OVER 0.00127 [.000050] NICKEL UNDERPLATE ON INSIDE OF RECEPTACLE, REMAINDER OF CONTACT IS NICKEL PLATED.
- GOLD OVER NICKEL UNDERPLATE ON ENTIRE STAMPING, 0.00076 [.000030] MIN GOLD AT POINT OF MEASUREMENT IN CONTACT AREA, GOLD FLASH MIN IN WIRE BARREL.



640310-6	GOLD $\triangle 2$	PHOS BRZ	350923-6
---	GOLD $\triangle 3$	PHOS BRZ	350923-4
640310-3	PRE-TIN	PHOS BRZ	350923-3
LOOSE PIECE P/N REF	FINISH	MATERIAL	PART NUMBER

THIS DRAWING IS A CONTROLLED DOCUMENT.

DWN jr\_ruth 11OCT11  
CHK TOM MICHIELUTTI 11OCT11  
APVD TOM MICHIELUTTI 11OCT11

**STE** TE Connectivity

NAME: SOCKET UNIVERSAL MATE-N-LOK

PRODUCT SPEC: -  
APPLICATION SPEC: -  
WEIGHT: -

SIZE: A3 CAGE CODE: 00779 DRAWING NO: C-350923 RESTRICTED TO: -

CUSTOMER DRAWING SCALE: 4:1 SHEET: 1 OF 1 REV: S3

DIMENSIONS: MM [ INCHES ]	TOLERANCES UNLESS OTHERWISE SPECIFIED:
	0 PLC ± -
	1 PLC ± -
	2 PLC ± 0.25 [.010]
	3 PLC ± -
	4 PLC ± -
	ANGLES ± -
MATERIAL: -	FINISH: -

# Mouser Electronics

Authorized Distributor

Click to View Pricing, Inventory, Delivery & Lifecycle Information:

[TE Connectivity:](#)

[350923-3](#)