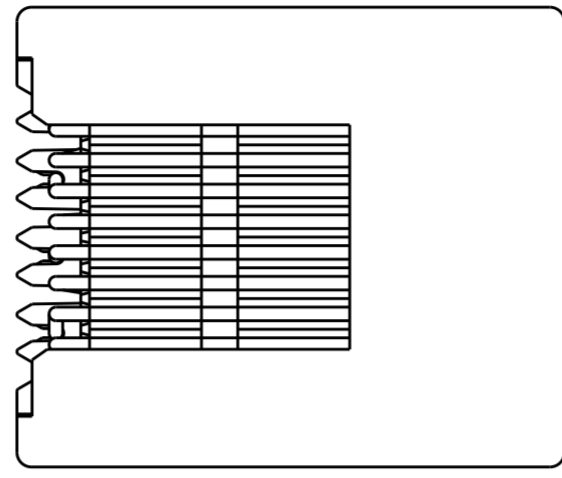
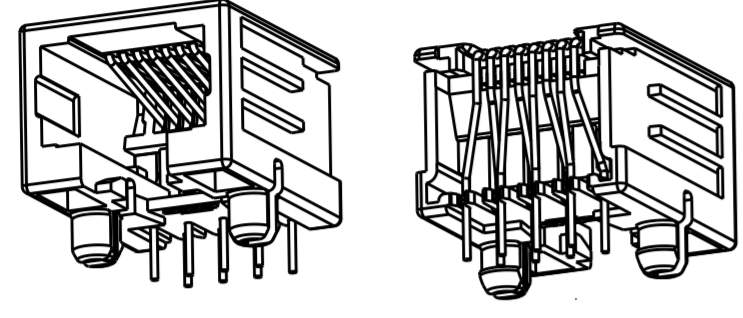


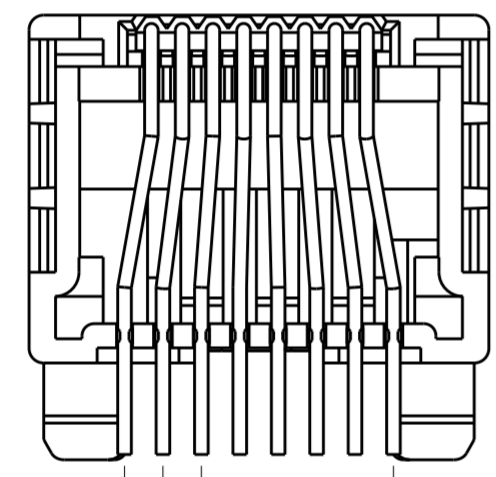
THIS DRAWING IS UNPUBLISHED. RELEASED FOR PUBLICATION  
 © COPYRIGHT - ALL RIGHTS RESERVED.

LOC		DIST		REVISIONS			
P	LTR	DESCRIPTION	DATE	DWN	APVD		
	AF	ECR-10-020218	21JUN2011	PS	RRP		
	AF1	REVISED PER ECO-12-008315	12MAY2015	AD	SH		

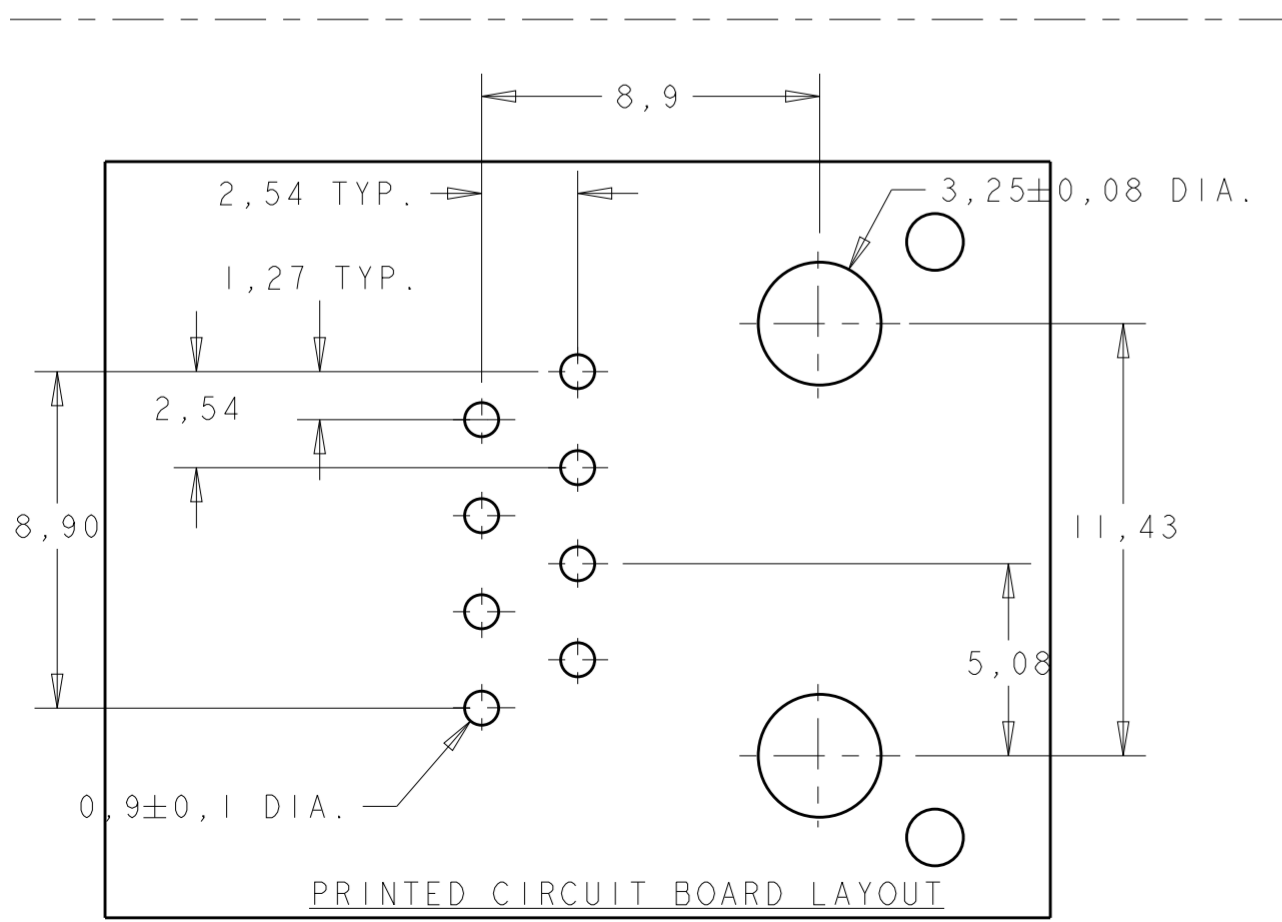
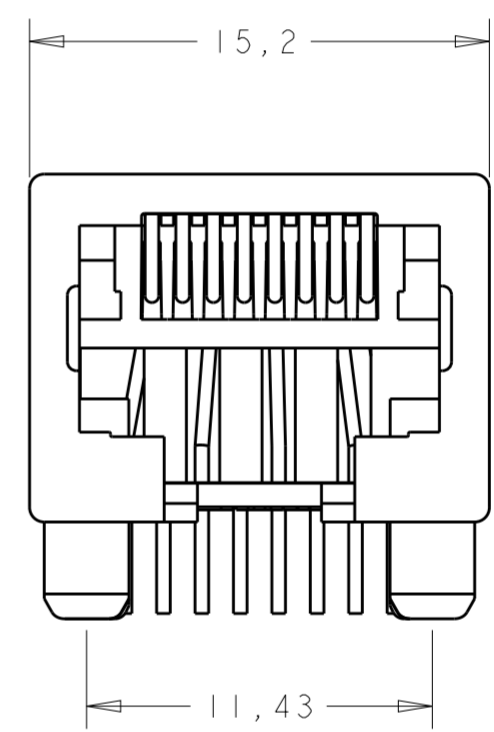
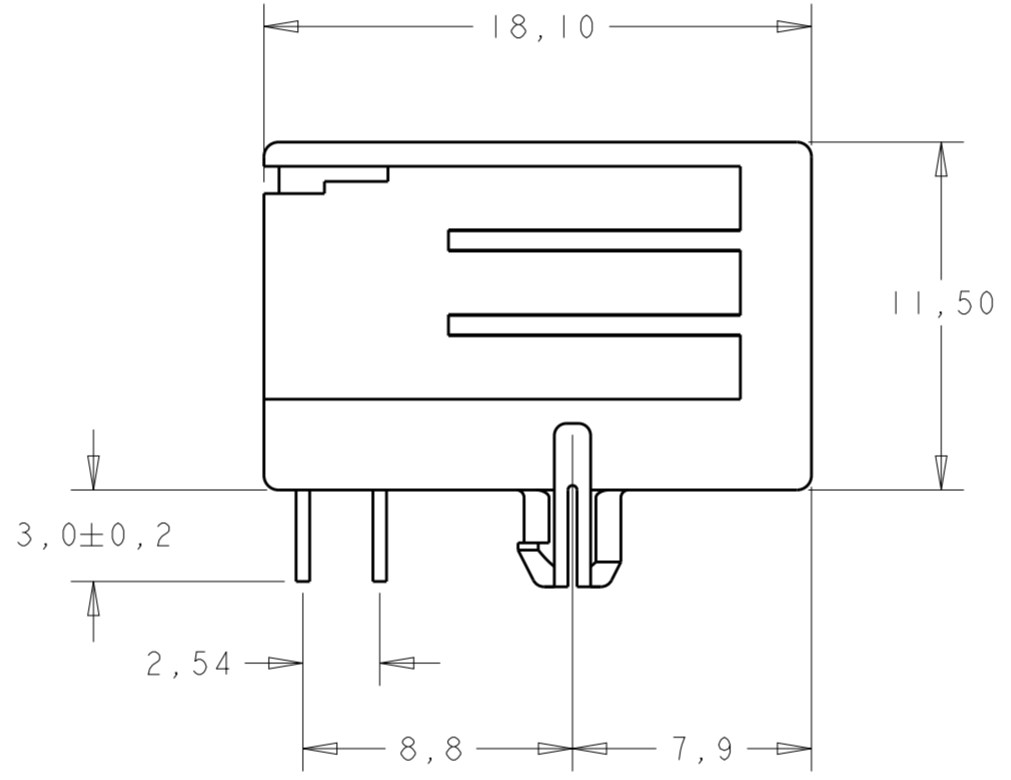


NOTES:

- 1 TOLERANCE UNLESS OTHERWISE SPECIFIED:  $\pm 0,15$ .
- 2 FOR THIS PACKAGING METHOD THE TRUE POSITION OF THE SOLDER TINES IS NOT GUARANTEED.
- 3 SUPERSEDED BY 1-215877-3

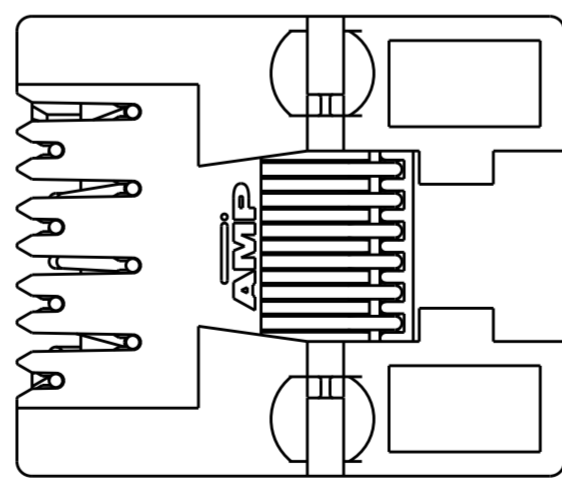


2,54  
 1,27 TYP.  
 8,9



PRINTED CIRCUIT BOARD LAYOUT

[VIEW SHOWN IS CIRCUIT (NONCOMPONENT) SIDE OF BOARD.]  
 PRINTED CIRCUIT BOARD THICKNESS: 1,6 mm NOMINAL.  
 TOLERANCE UNLESS OTHERWISE SPECIFIED:  $\pm 0,05$



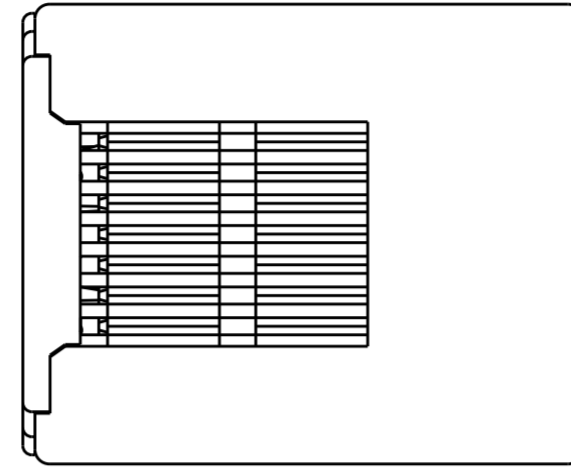
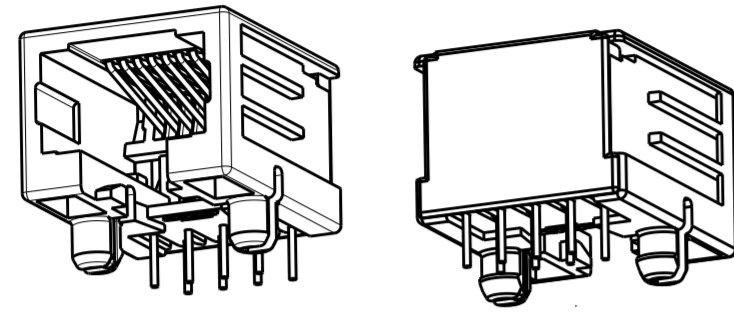
PACKAGING	REMARKS	FINISH	MATERIAL	ORDER NUMBER
1000 PIECES BULK PACKAGED			HOUSING COLOR: BLUE RAL 5017	4-215877-1
200 PIECES IN A TRAY			HOUSING COLOR: GREY RAL 7035	3-215877-1
TAPE MOUNTED 700 PCS./REEL			HOUSING COLOR: BLACK PBT: UL 94V-0 CONTACT INSERT: PBT: UL 94V-0 CONTACTS: PH BRONZE	1-215877-3 1-215877-1
				215877-1

THIS DRAWING IS A CONTROLLED DOCUMENT.

DIMENSIONS: mm	TOLERANCES UNLESS OTHERWISE SPECIFIED:	DWN: E.v.Eijk	TE Connectivity
0 PLC $\pm$	1 PLC $\pm$	CHK: M.v.Essen	NAME: MODULAR JACK, 8 POS SIDE ENTRY FOR PRINTED CIRCUIT BOARD
2 PLC $\pm$	3 PLC $\pm$	APVD: R.Smeets	SIZE: A2
4 PLC $\pm$	ANGLES $\pm$	PRODUCT SPEC: 108-19064	CAGE CODE: C-215877
FINISH		APPLICATION SPEC: 114-19019	DRAWING NO: C-215877
		WEIGHT: -	RESTRICTED TO: -
		CUSTOMER DRAWING	SCALE: 4:1 SHEET 1 OF 2 REV: AF1

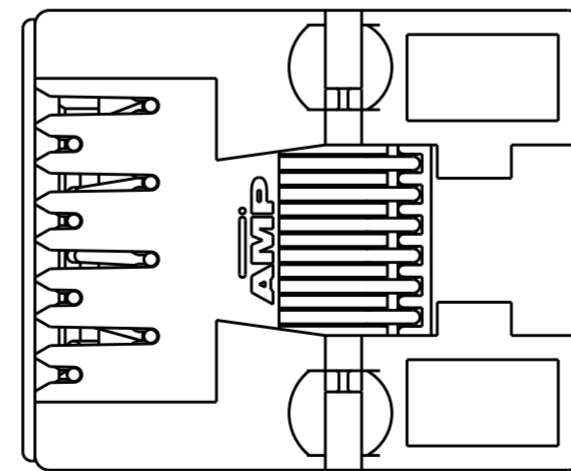
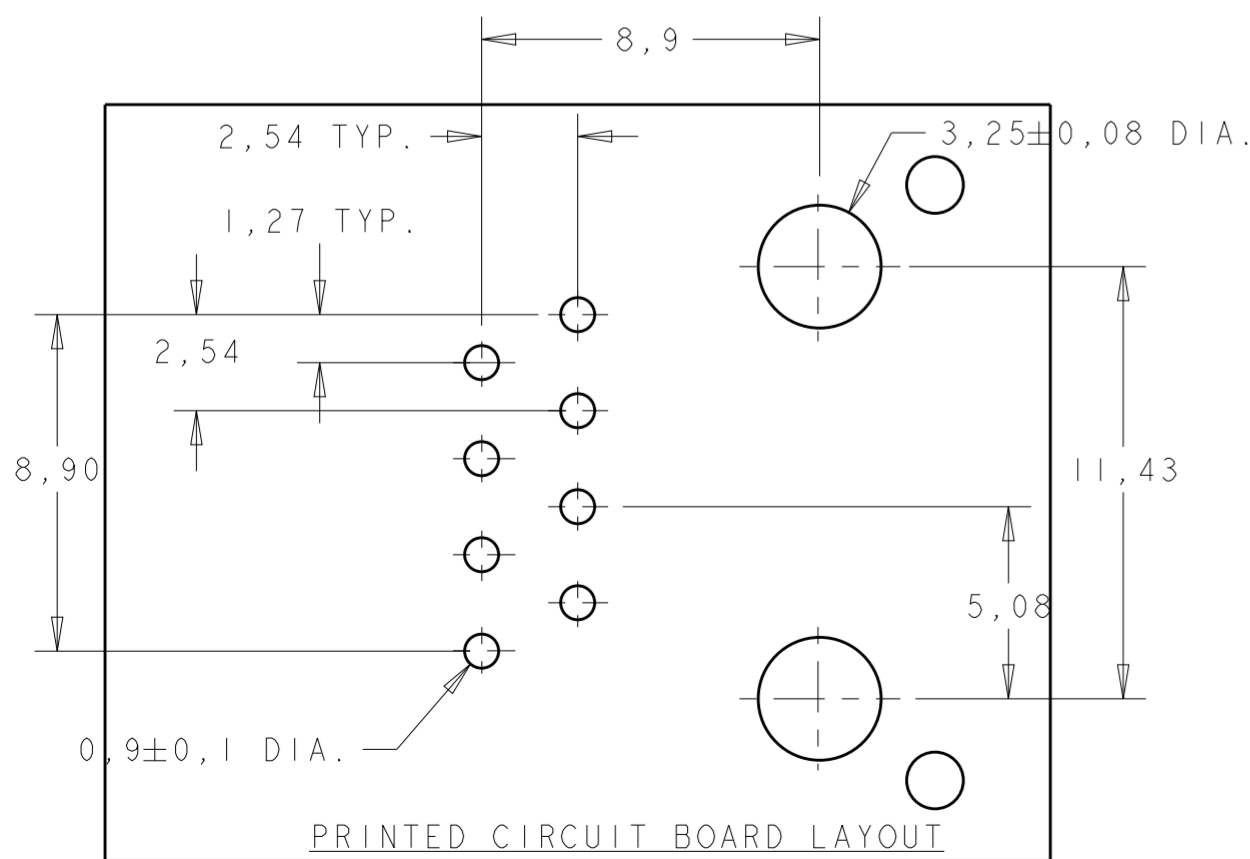
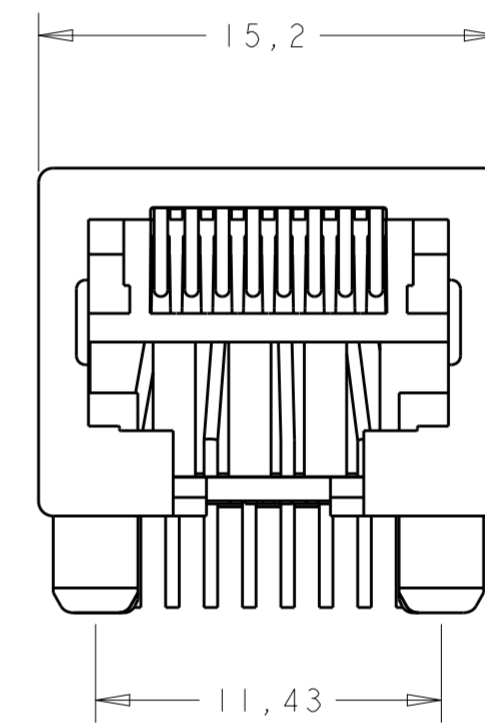
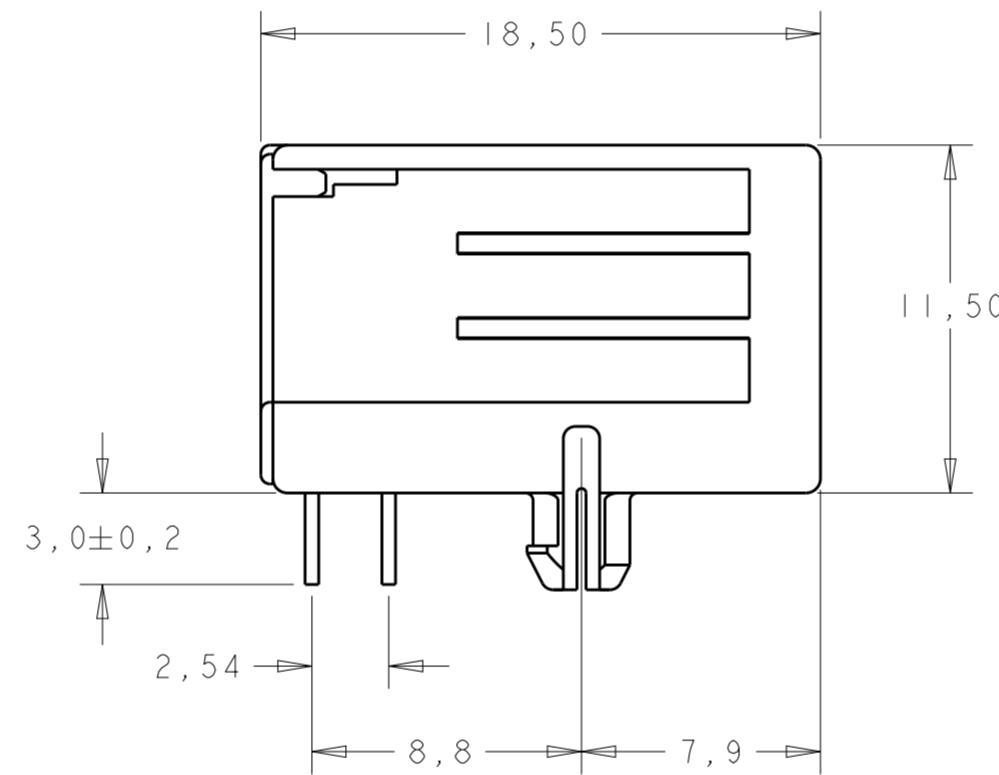
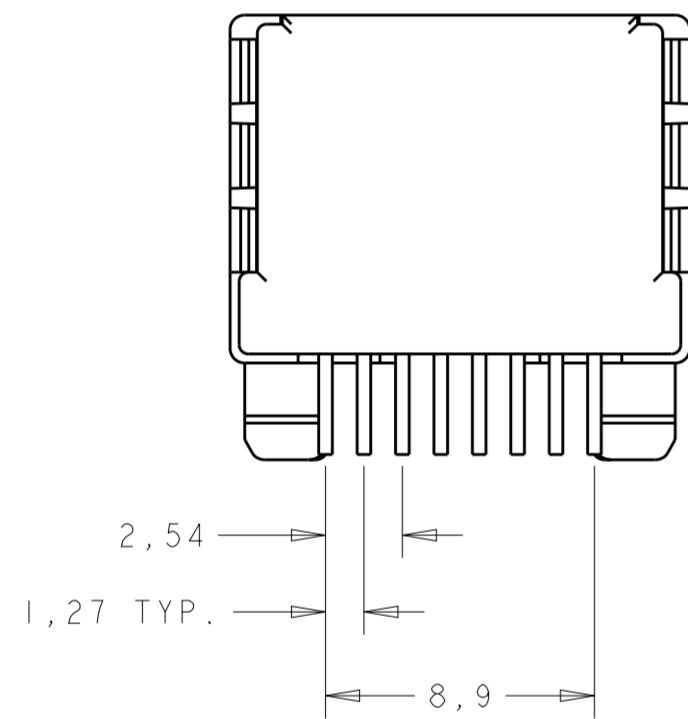
THIS DRAWING IS UNPUBLISHED. RELEASED FOR PUBLICATION  
 © COPYRIGHT - ALL RIGHTS RESERVED.

LOC	DIST	REVISIONS			
P	LTR	DESCRIPTION	DATE	DWN	APVD
IR	-	SEE SHEET 1	-	-	-



NOTES:

- 1 TOLERANCE UNLESS OTHERWISE SPECIFIED:  $\pm 0,15$ .
- 2 FOR THIS PACKAGING METHOD THE TRUE POSITION OF THE SOLDER TINES IS NOT GUARANTEED.



PACKAGING	REMARKS	FINISH	MATERIAL	ORDER NUMBER
1000 PIECES BULK PACKAGED				INACTIVE 5-215877-3 NOT TOOLED
200 PIECES IN A TRAY	8 POS. / 8 CONTACTS			INACTIVE 5-215877-2 NOT TOOLED
TAPE MOUNTED 700 PCS./REEL				INACTIVE 5-215877-1 NOT TOOLED

THIS DRAWING IS A CONTROLLED DOCUMENT.

DWN: E.v.Fijk	CHK: M.v.Essen	APVD: R.Smeets	TE Connectivity	
DIMENSIONS: mm TOLERANCES UNLESS OTHERWISE SPECIFIED: 0 PLC ± 1 PLC ± 2 PLC ± 3 PLC ± 4 PLC ± ANGLES ± FINISH ±			NAME: MODULAR JACK, 8 POS SIDE ENTRY FOR PRINTED CIRCUIT BOARD SIZE: A2 CAGE CODE: C-215877 DRAWING NO: 108-19064 APPLICATION SPEC: 114-19019 WEIGHT: - SCALE: 4:1 SHEET: 2 OF 2 REV: AFI	
MATERIAL: -			CUSTOMER DRAWING	

# Mouser Electronics

Authorized Distributor

Click to View Pricing, Inventory, Delivery & Lifecycle Information:

[TE Connectivity:](#)

[215877-1](#)