

Thermofit[®] Molded Parts

Specification Control Drawing

Part Number: 203A021

Description: Boot, Coax Strain Relief

Notes:

- All dimensions are in $\frac{\text{Inches}}{\text{[Millimeters]}}$; $\frac{\text{lbs}}{\text{[gms]}}$
- Dimensions appearing in table are as follows:
a - as supplied
b - after unrestricted recovery
- Coating is optional. As supplied dimensions appearing in table are for uncoated parts. When coating is added, entry diameters will be reduced by .06 max.
- Weight shown in table of dimensions is based on polyolefin part.

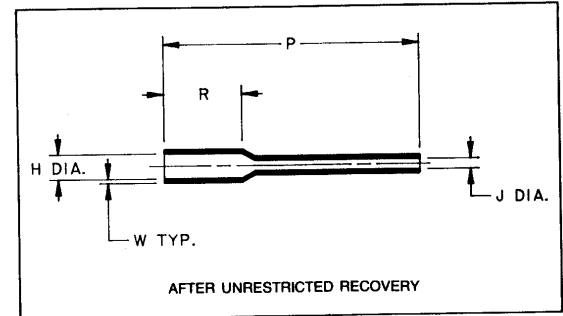
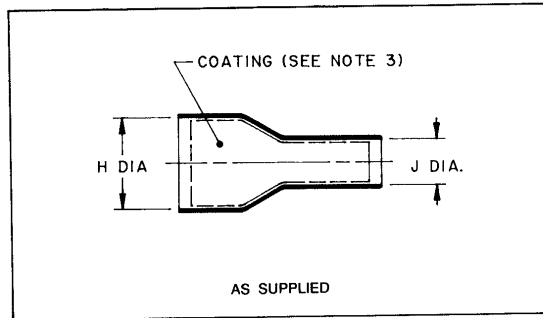


Table of Dimensions

Part Number	H		J			P	R	W	Weight
	Min	Max	Min -3, -4 & -25	Min -5, -12 & -100	Max	±10%	±10%	±20%	±10%
	a	b	a	a	b	b	b	b	b
203A021	.80 [20,3]	.32 [8,1]	.40 [10,2]	.26 [6,6]	.13 [3,3]	2.40 [61,0]	.75 [19,1]	.04 [1,02]	.003 [1,36]

Raychem

Raychem Corporation
300 Constitution Drive
Menlo Park, California 94025
415) 361 6055

If this document is printed it becomes uncontrolled.
Check for the latest revision.

Revision: **G**
Date: **1-21-88**

Part Number: 203A021

Description: Boot, Coax Strain Relief

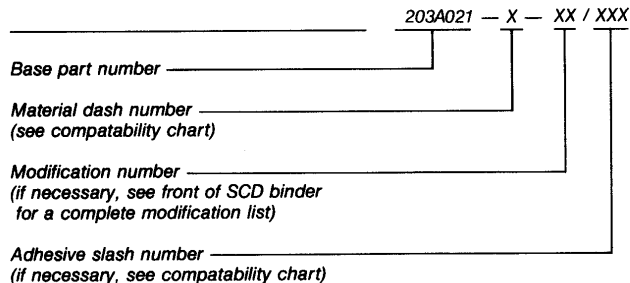
ThermoFit® Molded Parts Specification Control Drawing

Part Number: 203A021
Description: Boot, Coax Strain Relief

Compatability Chart					
Material Dash No.	Material Description	RT Spec	Coating Slash No.	Coating S. No.	Coating Description
-3	Polyolefin, Semi-Rigid	RT-301	/42	S-1017	Adhesive
-4	Polyolefin, Flexible	RT-1304	/42	S-1017	Adhesive
-5	Elastomer, Flexible	RT-501	/42	S-1017	Adhesive
-12	*VITON, Flexible	RT-1312			
-25	Elastomer, Semi-Rigid	RT-1325	/86	S-1048	Adhesive
-100	Polyolefin, Semi-Flexible, ZEROHAL™	RT-1323			

*VITON is a Registered Trademark of Dupont

Ordering Information:



This drawing is subject to change without notice; consult your nearest field representative for current revision.

Raychem

Raychem Corporation
300 Constitution Drive
Menlo Park, California 94025
415) 361 6055

If this document is printed it becomes uncontrolled.
Check for the latest revision.

Revision: **G**
Date: **1-21-88**

Part Number: 203A021
Description: Boot, Coax Strain Relief

Mouser Electronics

Authorized Distributor

Click to View Pricing, Inventory, Delivery & Lifecycle Information:

[TE Connectivity:](#)

[203A021-3-0](#)