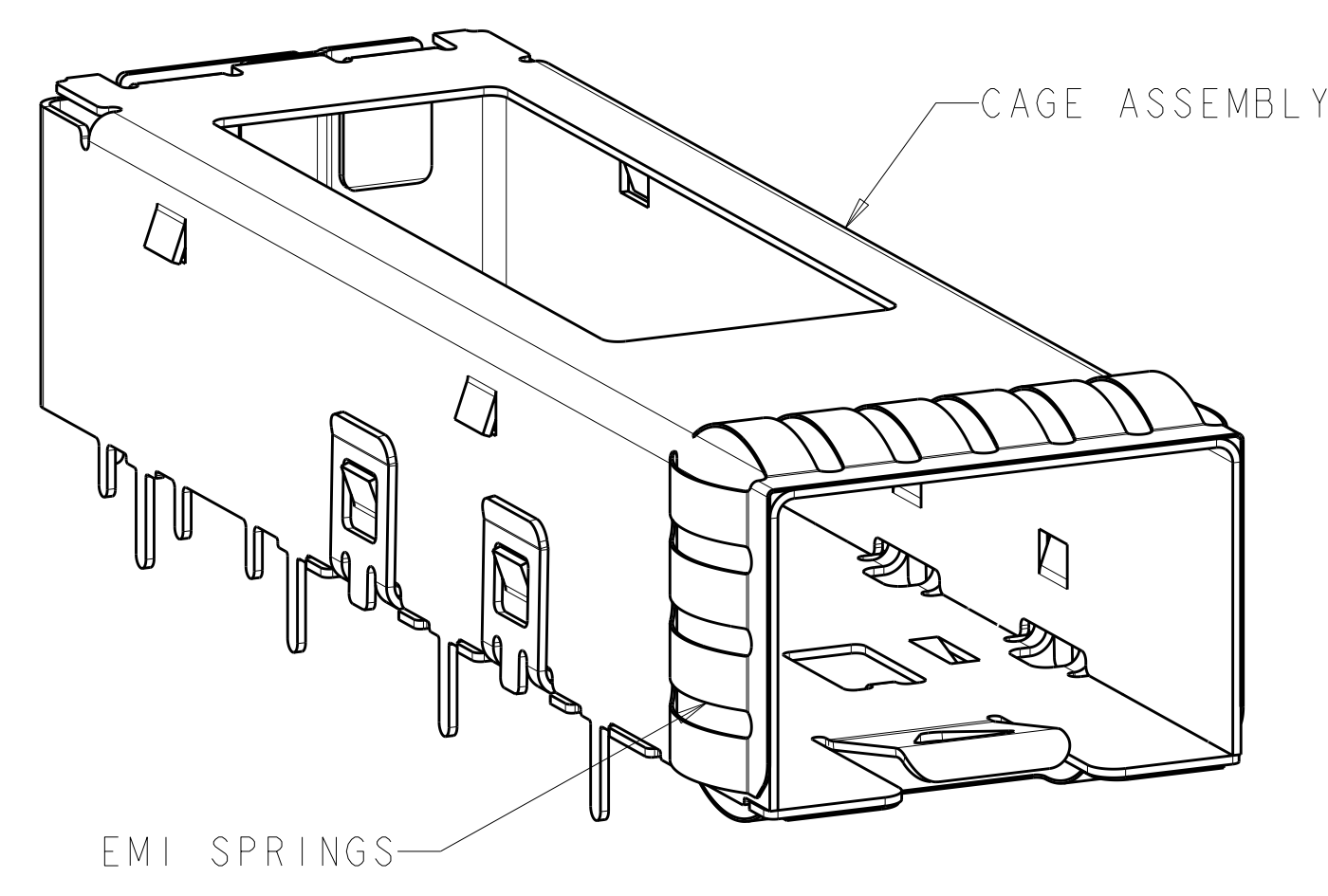
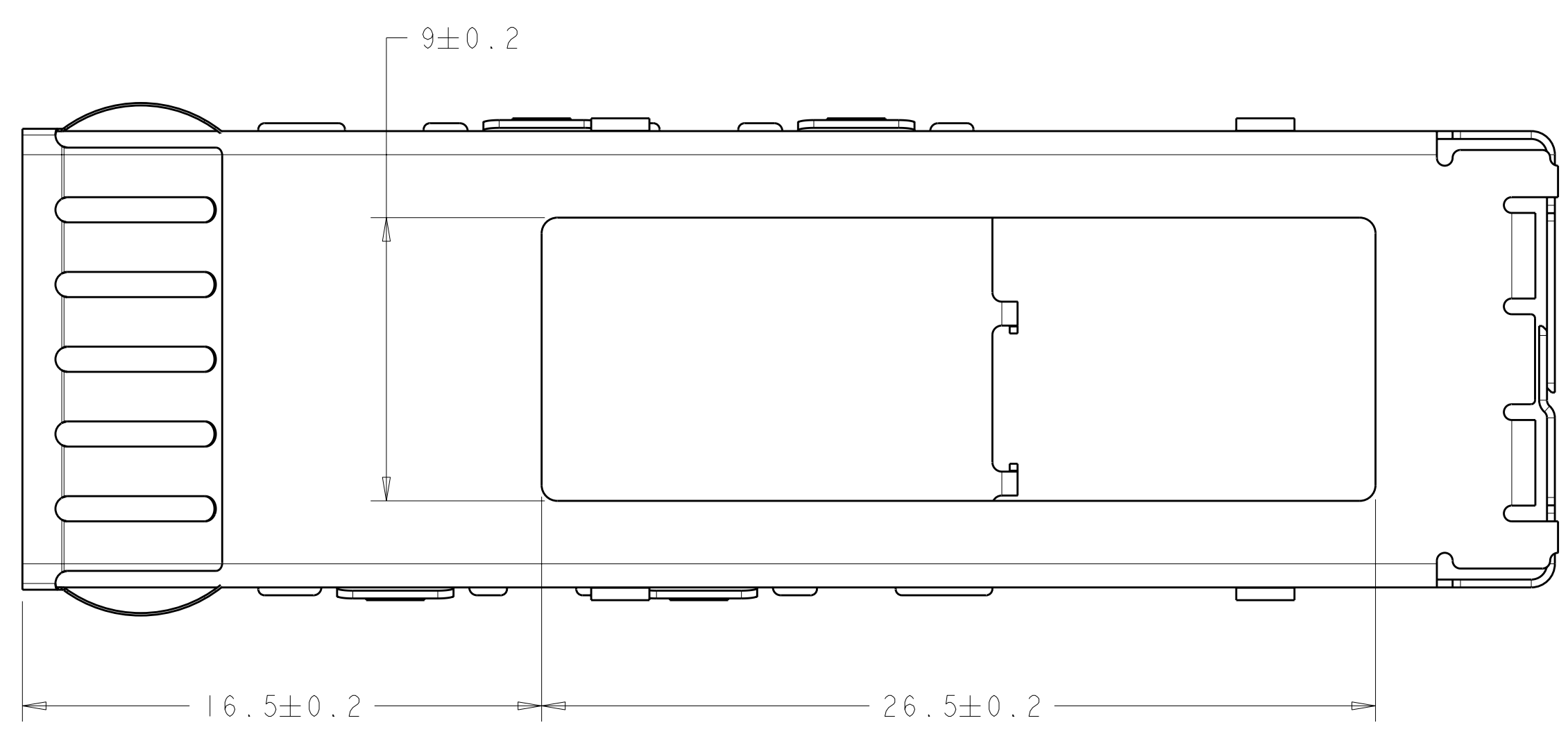


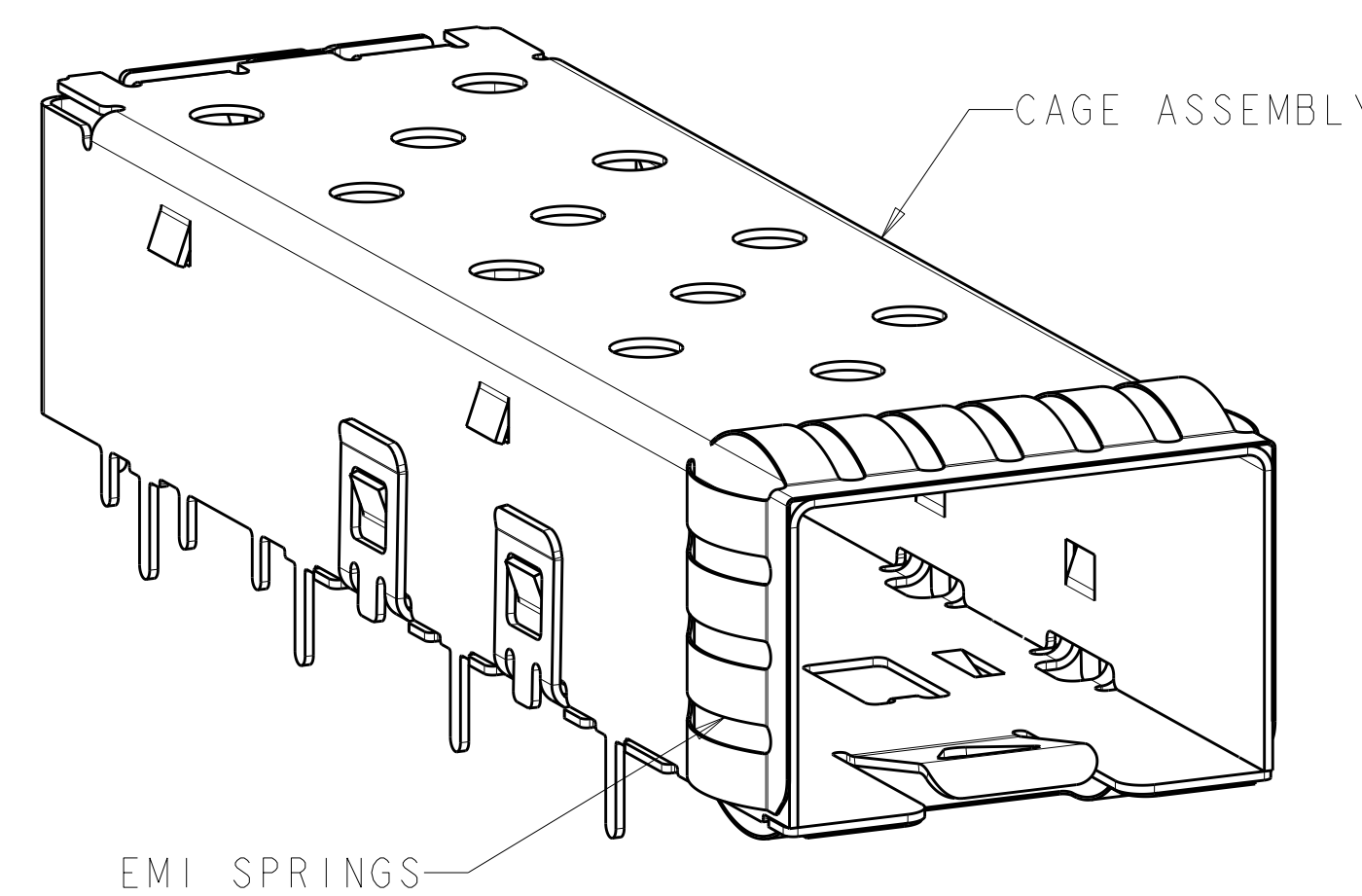
LOC	DIST	REV	DATE	BY	CHKD	APVD
GP	00					
		C1	11MAR2011	RK	HMR	
		D	05JAN2012	TX	AC	



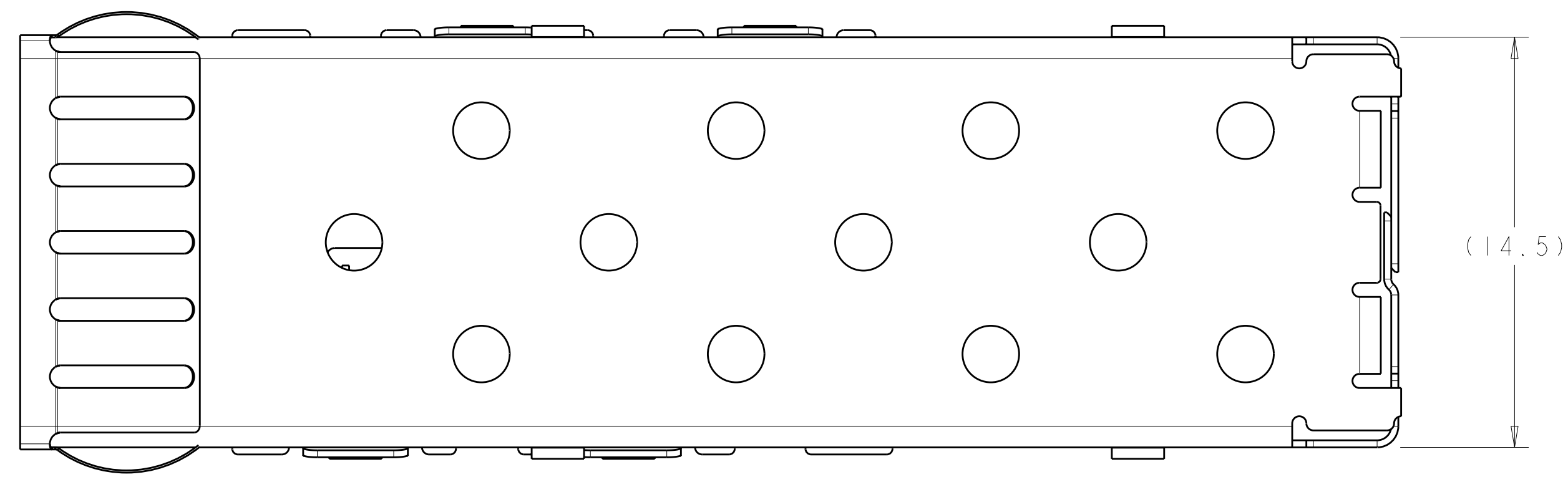
2007194-2
SCALE 5:1



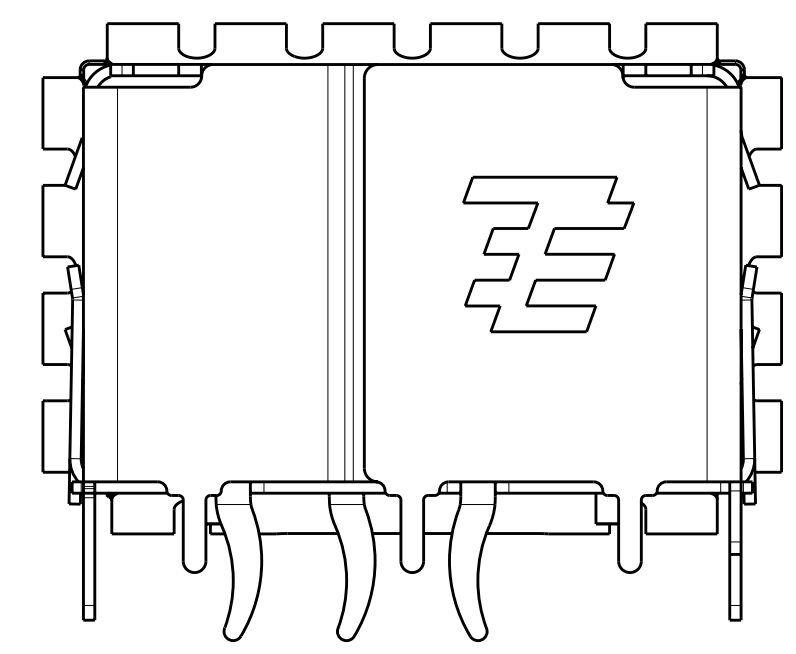
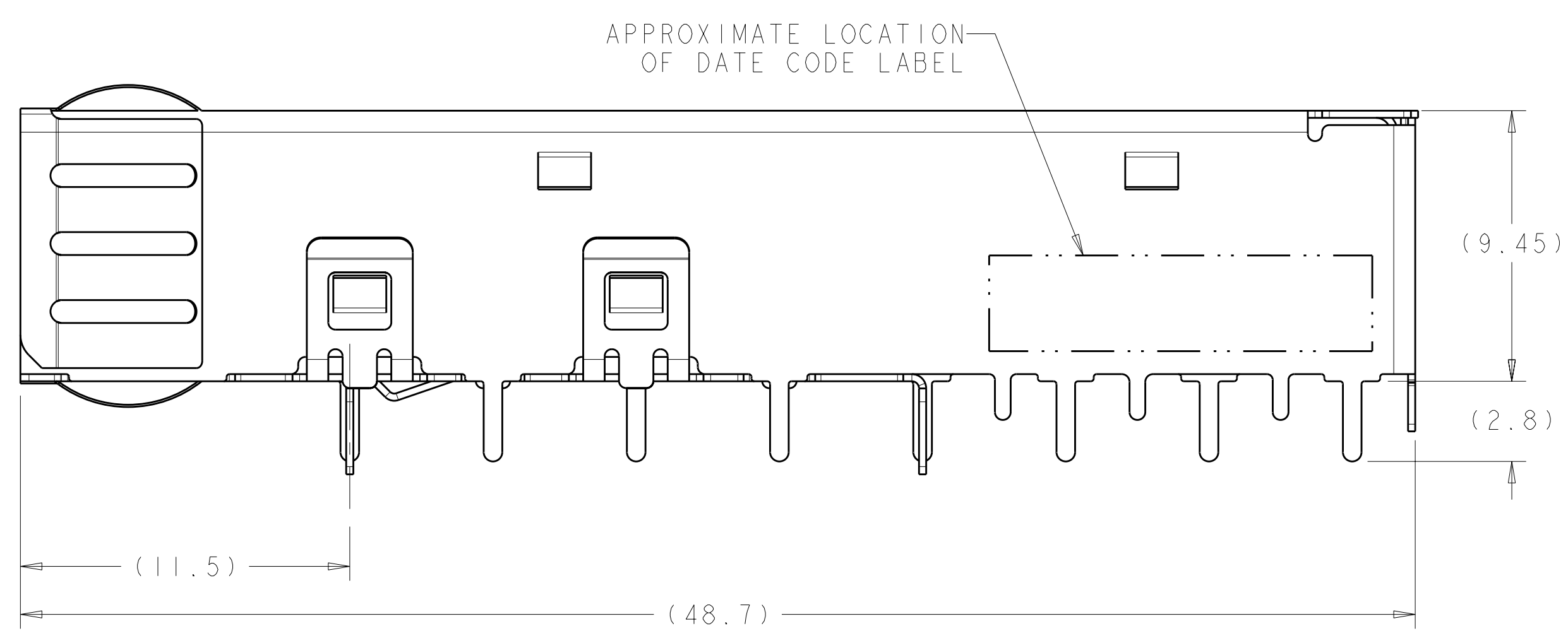
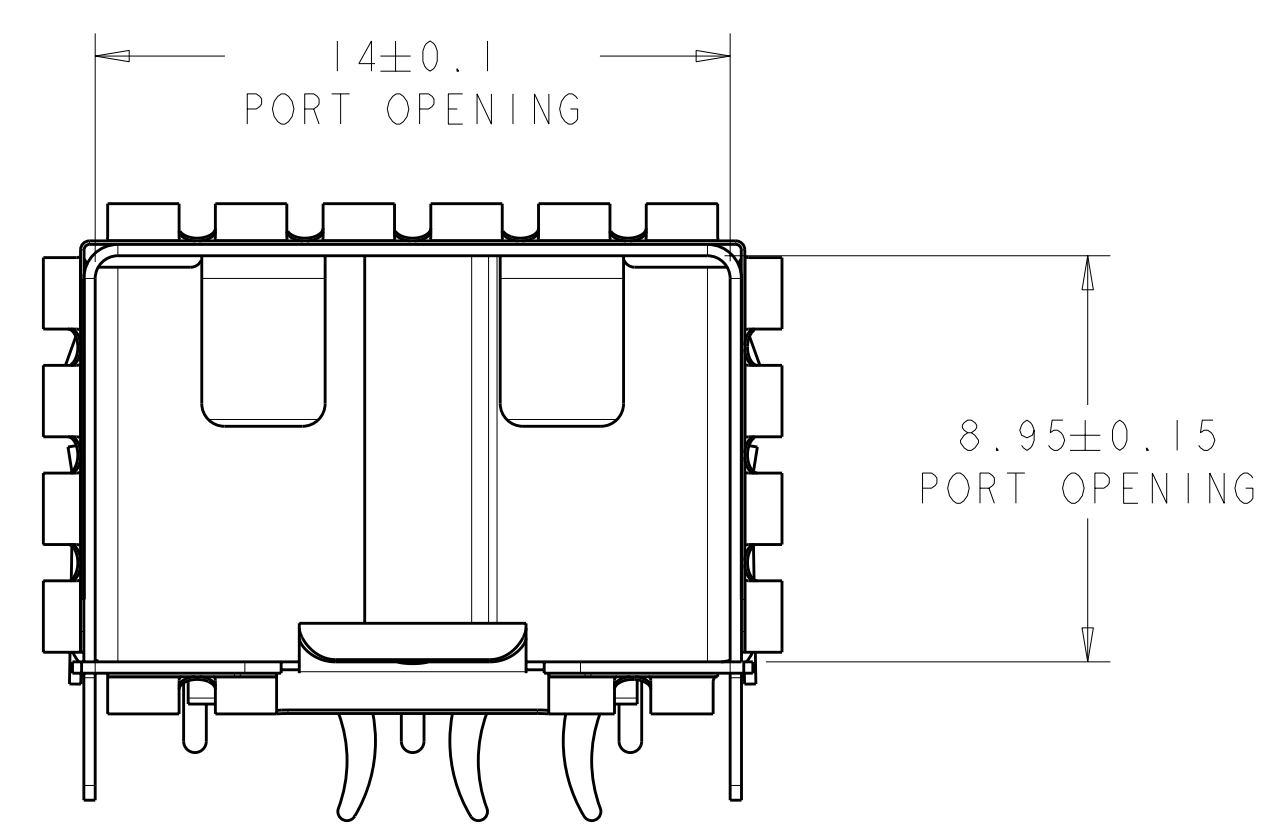
2007194-2
SAME AS 2007194-1 EXCEPT AS SHOWN
TOP VIEW



2007194-1
SCALE 5:1



2007194-1
TOP VIEW

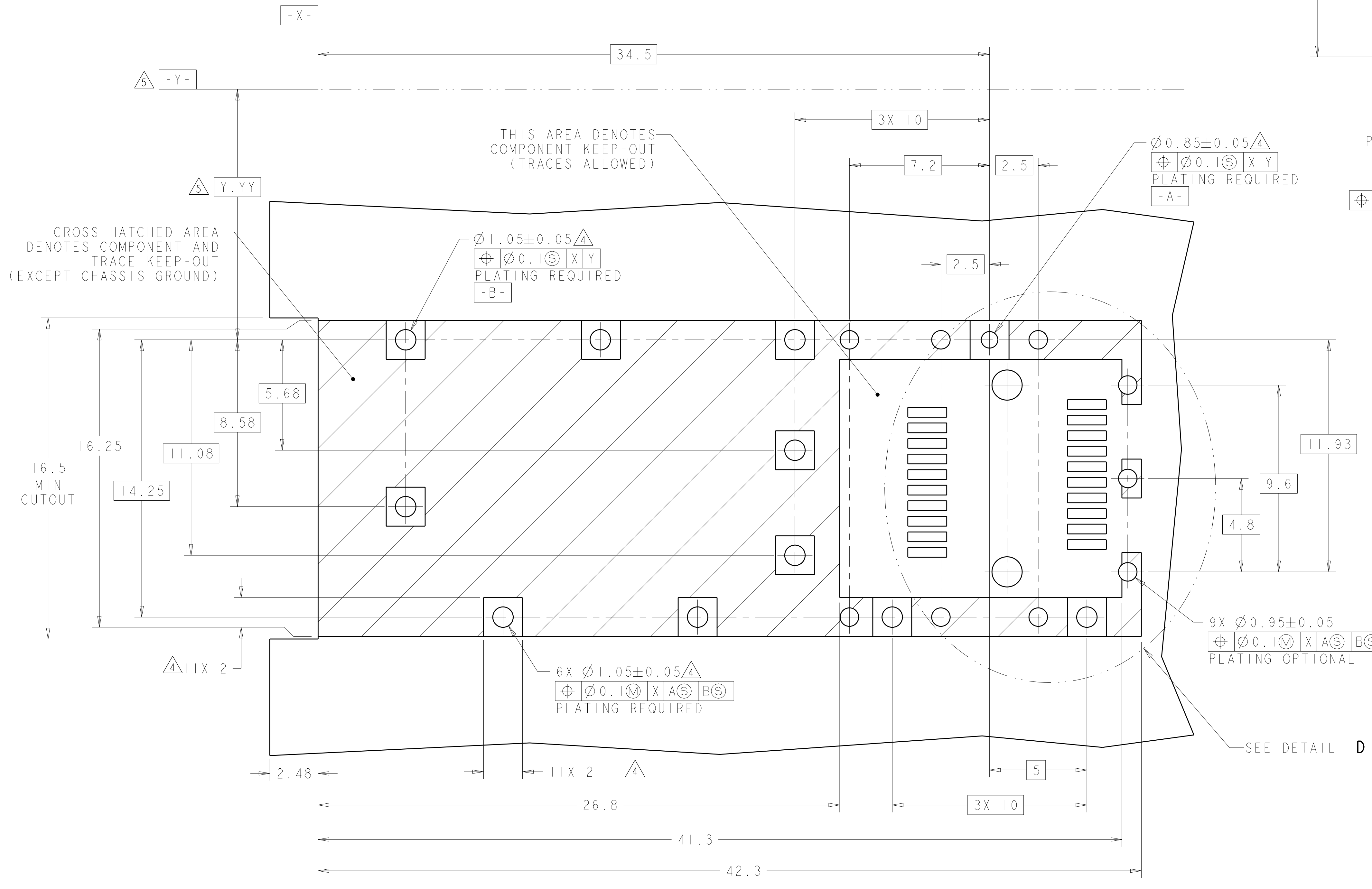
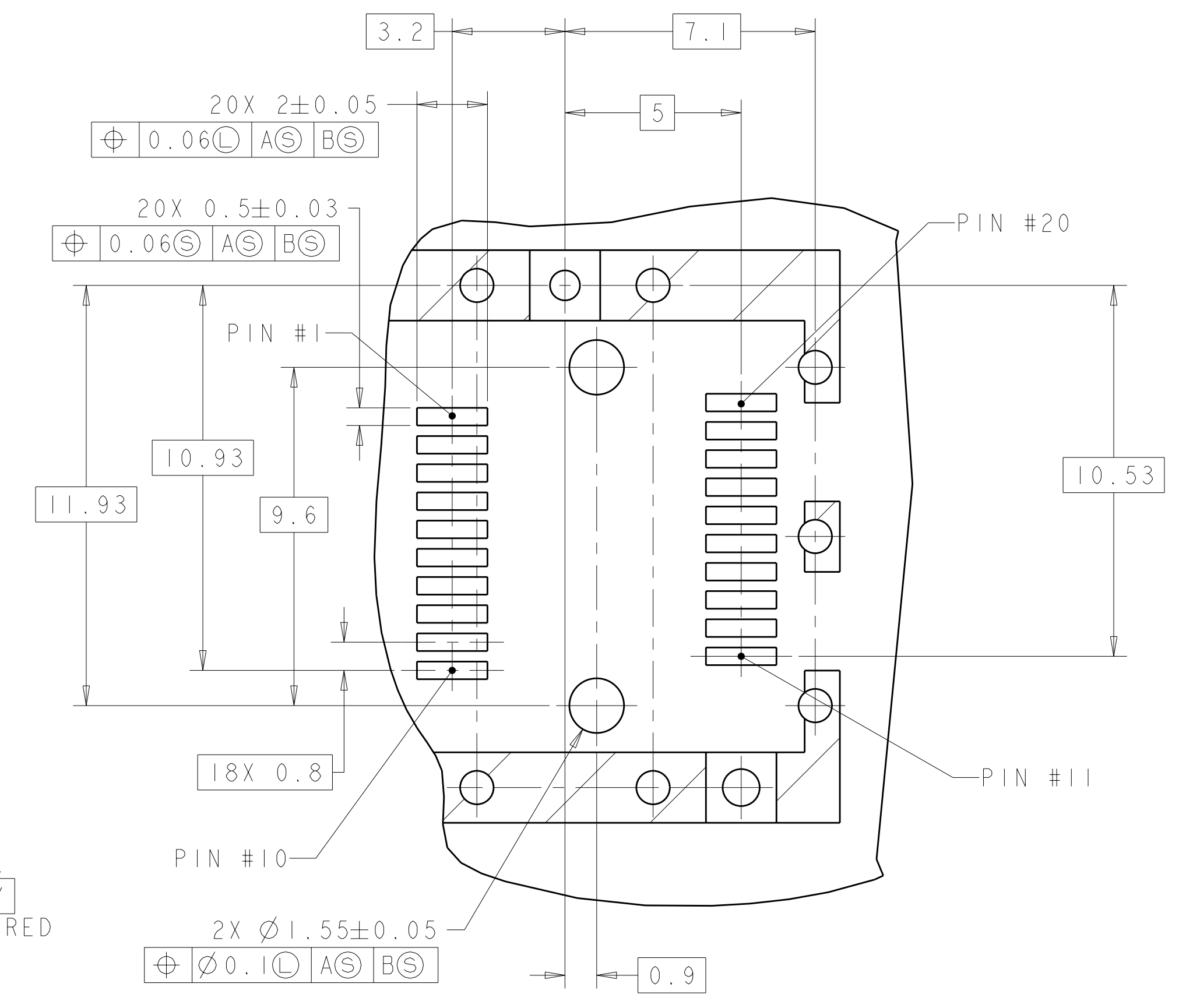
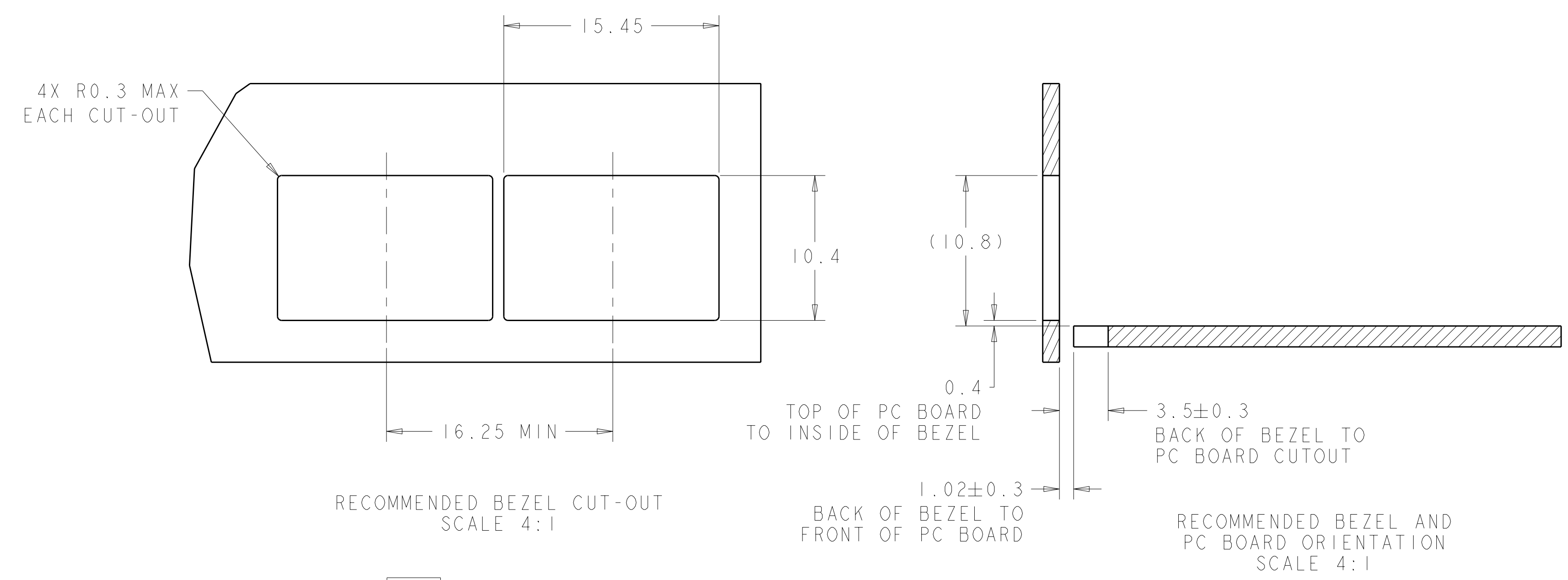


HEATSINK OPENING	2007194-2
EMI HOLES	2007194-1
DESCRIPTION	PART NUMBER

- 1 MATERIAL:
CAGE ASSEMBLY - 0.25mm THICK NICKEL-SILVER ALLOY.
EMI SPRINGS - COPPER ALLOY.
- 2 FINISH:
EMI SPRINGS - 0.8um MIN MATTE TIN OVER 0.8um MIN NICKEL
NON PLATED EDGES PERMISSIBLE.
- 3. MATES WITH SFP MSA COMPLIANT TRANSCEIVERS.
- 4 PADS AND VIAS CHASSIS GROUND.
- 5 DATUMS AND BASIC DIMENSIONS ESTABLISHED BY CUSTOMER.
- 6. MINIMUM PC BOARD THICKNESS:
SINGLE SIDED = 1.50mm.
- 7. NOTE DELETED

THIS DRAWING IS A CONTROLLED DOCUMENT.		OWN	Z. M. BEAM	10JUL2007
DIMENSIONS:		CHKD	M. R. SCHMITT	10JUL2007
mm		APVD	R. H. WERTZ	10JUL2007
	9 PLC ±0.1	NAME		
	1 PLC ±0.1	SFP+ 1X1 CAGE ASSEMBLY,		
	3 PLC ±0.1	PCI, SOLDER TAILS,		
	5 PLC ±0.05	EXTERNAL EMI SPRINGS		
	4 PLC ±0.05	SIZE CAGE CODE DRAWING NO RESTRICTED TO		
	ANGLES ±0.05	A100779C=2007194		
MATERIAL	FINISH	WEIGHT	CUSTOMER DRAWING	
			SCALE 6:1	SHEET 1 OF 2 REV D

LOC	DIST	REV	DATE	BY	APPD
GP	00				



THIS DRAWING IS A CONTROLLED DOCUMENT.		OWN Z. M. BEAM 10JUL2007	REVISIONS	
DIMENSIONS: mm		CHK M. R. SCHMITT 10JUL2007	DESCRIPTION	DATE
TOLERANCES UNLESS OTHERWISE SPECIFIED: 9 PLC ±0.1 5 PLC ±0.1 4 PLC ±0.05 ANGLES ±0.05		APPD P. H. WERTZ 10JUL2007	DATE	OWN
MATERIAL		PRODUCT SPEC 108-2364	DATE	APPD
FINISH		APPLICATION SPEC 114-13120	DATE	APPD
WEIGHT		SIZE A100779	SCALE 6:1	SHEET 2 OF 2
CUSTOMER DRAWING		DRAWING NO C=2007194	REV D	

Mouser Electronics

Authorized Distributor

Click to View Pricing, Inventory, Delivery & Lifecycle Information:

[TE Connectivity:](#)

[2007194-1](#)