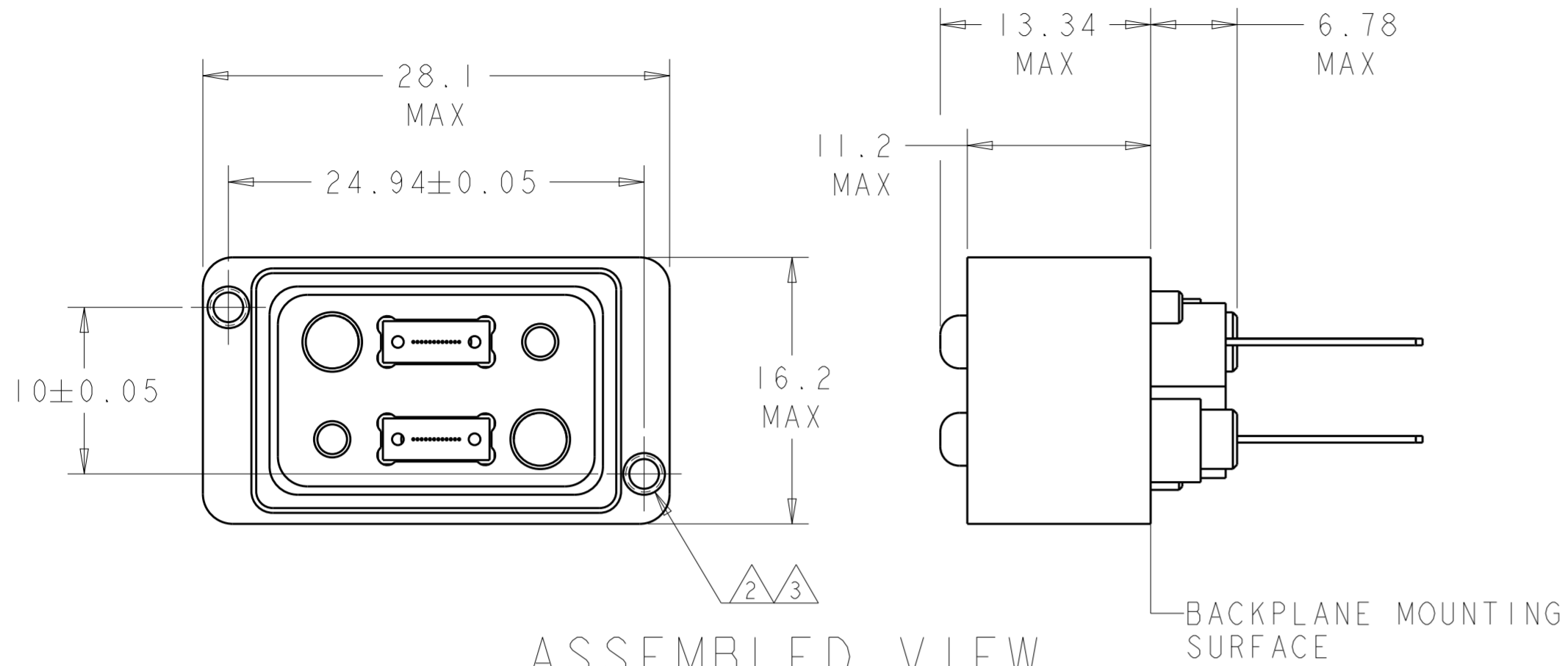


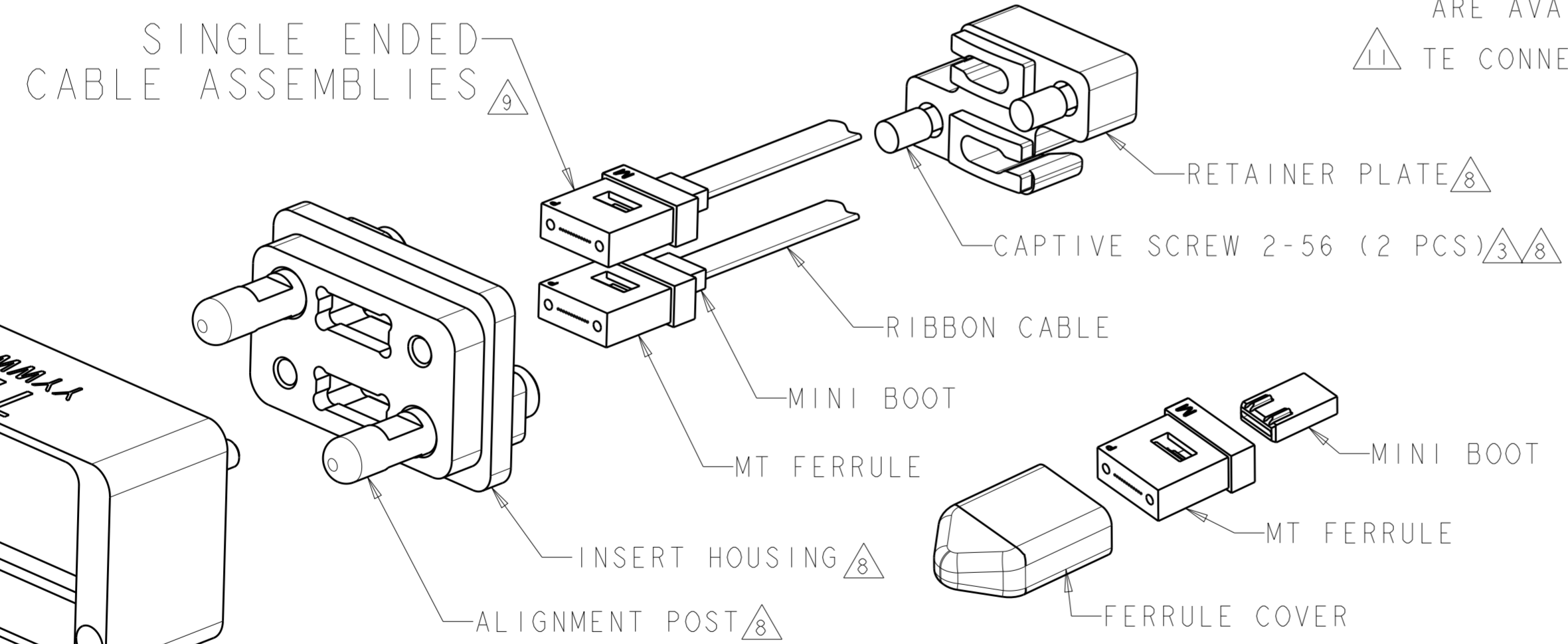
THIS DRAWING IS UNPUBLISHED. RELEASED FOR PUBLICATION 20
 © COPYRIGHT 20 BY - ALL RIGHTS RESERVED.

LOC		DIST		REVISIONS			
P	LTR	DESCRIPTION	DATE	DWN	APVD		
	10	REVISED OVERALL LENGTH	17DEC2011	DF	JM		
	11	REMOVED PRELIM TAG, ADD PROD-APPL SPEC REF	27DEC2012	DF	JM		
	12	OBSOLETE 2000973-2 AND -3	09APR2013	DF	JM		
	A	ECO-13-010049	17JUN2013	KG	DW		



ASSEMBLED VIEW WITH REFERENCE MT CABLE ASSEMBLIES INSTALLED

- 1 AREA REQUIRED FOR CONNECTOR PLACEMENT.
- 2 2-56 X 3/8 IN. SCREWS WITH A PRE-APPLIED NYLOK PATCH ARE INCLUDED FOR PC-BOARD MOUNTING (NOT SHOWN). IF A PC-BOARD THICKER THAN 5.8mm IS USED LONGER SCREWS ARE REQUIRED.
- 3 RECOMMENDED TORQUE: 0.23-0.34 N-m [2-3 in-lb].
- 4 DATUM A REFERENCE PER ANSI/VITA 46.0-2007, APPENDIX B.
- 5 SHELL, INSERT HOUSING & RETAINER PLATE:
ALUMINUM ALLOY 6061 PER ASTM B209, OR ASTM B221.
ALIGNMENT POST, CAPTIVE SCREWS & BHCS:
STAINLESS STEEL, 300 SERIES.
- 6 SHELL, INSERT HOUSING & RETAINER PLATE:
CLEAR CHROMATE CONVERSION COATING.
ALIGNMENT POST, CAPTIVE SCREWS & BHCS: PASSIVATED.
- 7 DATE CODE: YEAR & WEEK (YYWW).
- 8 THE BACKPLANE CONNECTOR KIT, CONSISTING OF THE SHELL, INSERT HOUSING, ALIGNMENT POSTS, RETAINER PLATE WITH CAPTIVE SCREWS, AND 2-56 SCREWS, IS SHIPPED UNASSEMBLED.
- 9 SINGLE-ENDED FIBER-OPTIC (PIGTAIL) CABLE ASSEMBLIES ARE AVAILABLE SEPARATELY, 1938401-1.
- 10 UNASSEMBLED FIBER-OPTIC COMPONENT KITS ARE AVAILABLE SEPARATELY, 2102866-1.
- 11 TE CONNECTIVITY PRODUCT IDENTIFIER.



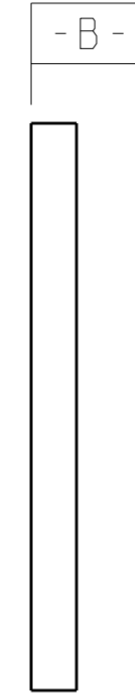
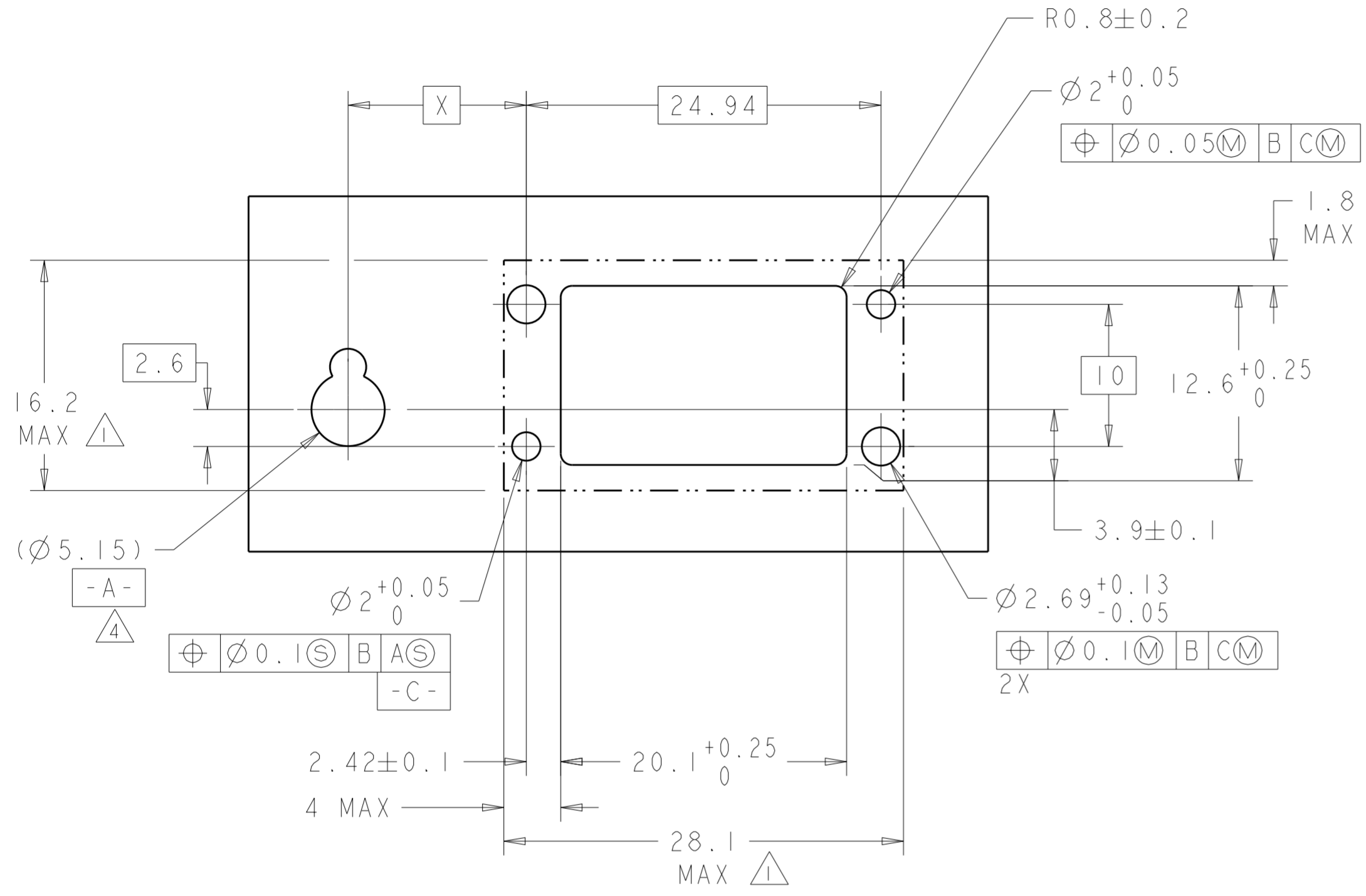
EXPLODED VIEW

RECEPTACLE (BACKPLANE) KIT	2000973-1
COMMENT	PART NUMBER

THIS DRAWING IS A CONTROLLED DOCUMENT. DIMENSIONING AND TOLERANCING PER ASME Y14.5M-2009		DWN R FLAIG 02JUN2009	TE Connectivity
DIMENSIONS: mm		CHK J MOSIER 02JUN2009	
TOLERANCES UNLESS OTHERWISE SPECIFIED:		APVD J MOSIER 02JUN2009	
0 PLC ± 1 PLC ±0.2 2 PLC ±0.10 3 PLC ± 4 PLC ± ANGLES ± FINISH ±		NAME PRODUCT SPEC APPLICATION SPEC WEIGHT	
MATERIAL	5 -	108-2467 114-32050 Customer Drawing	SIZE CAGE CODE DRAWING NO RESTRICTED TO
		A200779 G-2000973	SCALE 3:1 SHEET 1 OF 2 REV A

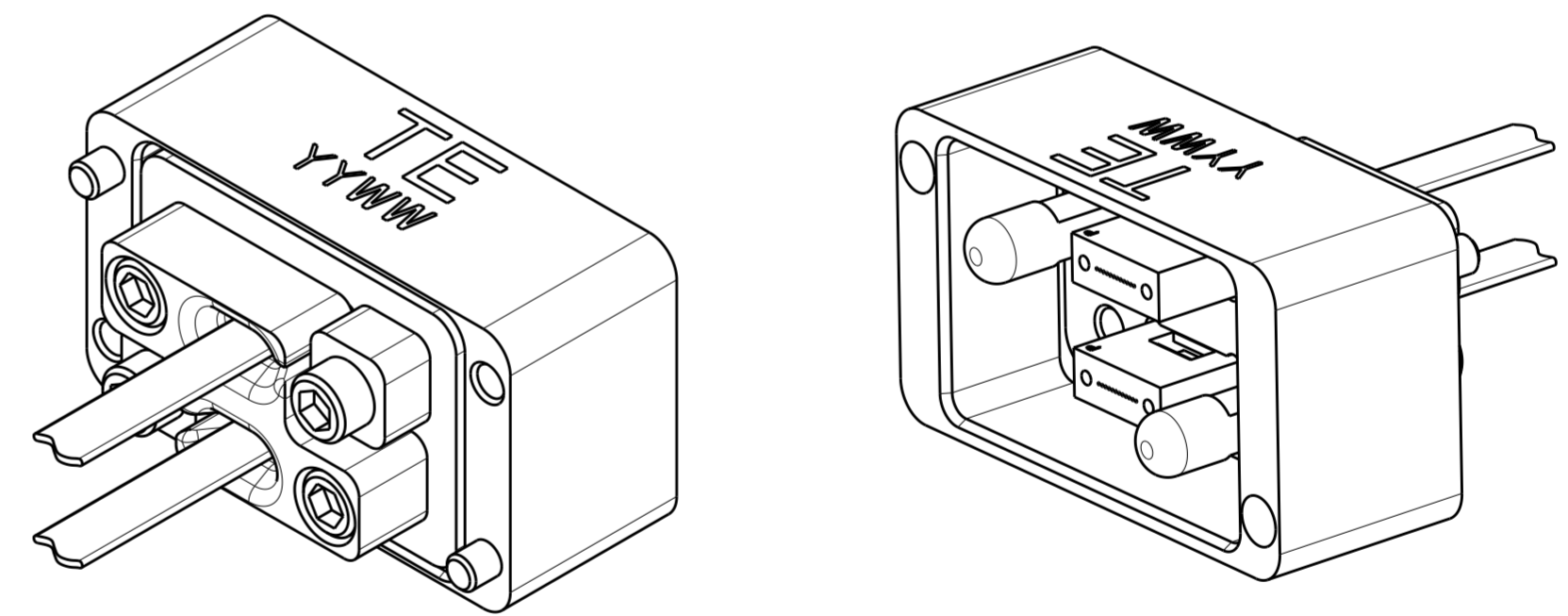
THIS DRAWING IS UNPUBLISHED. RELEASED FOR PUBLICATION 20
 © COPYRIGHT 20 BY - ALL RIGHTS RESERVED.

LOC	DIST	REVISIONS					
CE	-	P	LTR	DESCRIPTION	DATE	DWN	APVD
		-		SEE SHEET 1	-	-	-



RECOMMENDED BACKPLANE FOOTPRINT

CONNECTOR LOCATION ON BACKPLANE	
POSITION	DIM "X"
J2	53.20
J3	96.02
J4	124.82
J5	153.62
J6	182.42



ASSEMBLED VIEW, WITH REFERENCE MT CABLE ASSEMBLIES INSTALLED

THIS DRAWING IS A CONTROLLED DOCUMENT. DIMENSIONING AND TOLERANCING PER ASME Y14.5M-2009		DWN R FLAIG 02JUN2009	TE Connectivity	
DIMENSIONS: mm		CHK J MOSIER 02JUN2009		
TOLERANCES UNLESS OTHERWISE SPECIFIED:		APVD J MOSIER 02JUN2009	NAME CONNECTOR KIT, RECEPTACLE, (BACKPLANE) FIBER OPTIC, MT, VITA 66.1-STYLE	
0 PLC ±		PRODUCT SPEC	SIZE CAGE CODE DRAWING NO RESTRICTED TO	
1 PLC ±		APPLICATION SPEC	A200779 C-2000973	
2 PLC ±		WEIGHT	SCALE 3:1 SHEET 2 OF 2 REV A	
3 PLC ±		Customer Drawing		
4 PLC ±				
ANGLES ±				
FINISH				

Mouser Electronics

Authorized Distributor

Click to View Pricing, Inventory, Delivery & Lifecycle Information:

[TE Connectivity:](#)

[2000973-1](#)