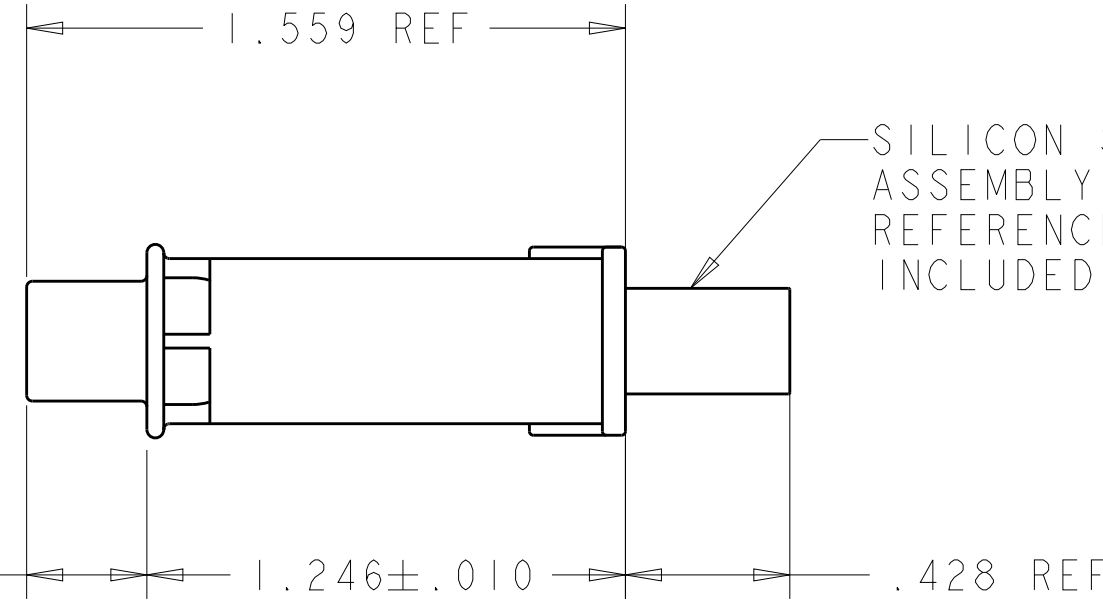
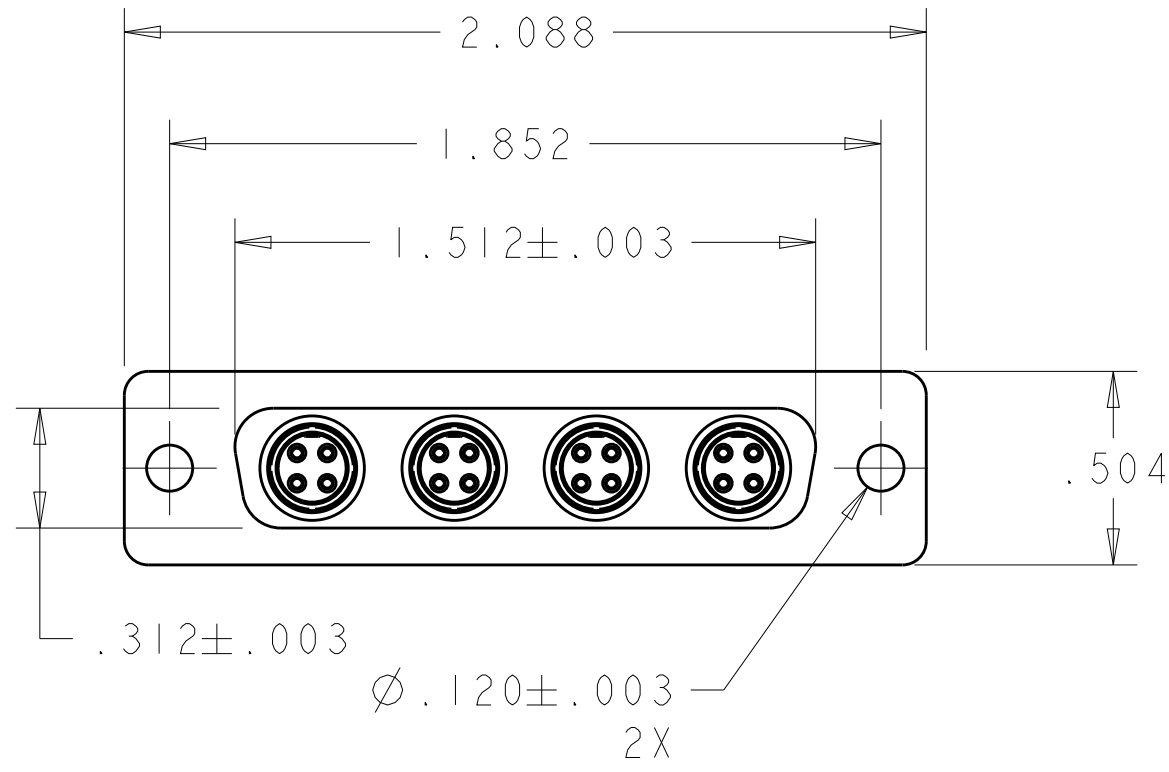
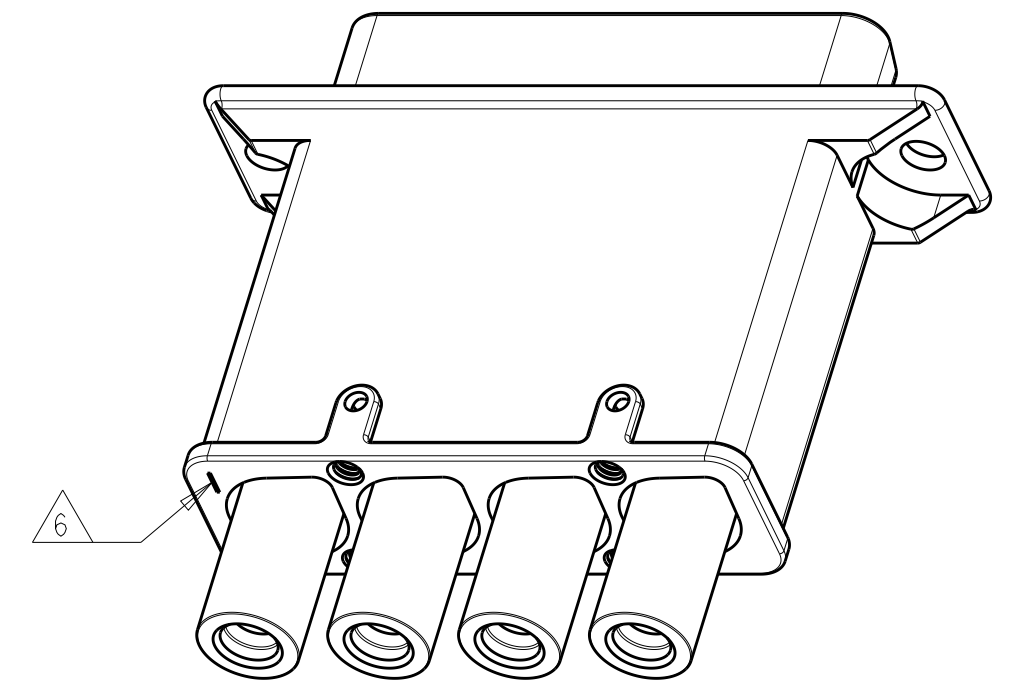
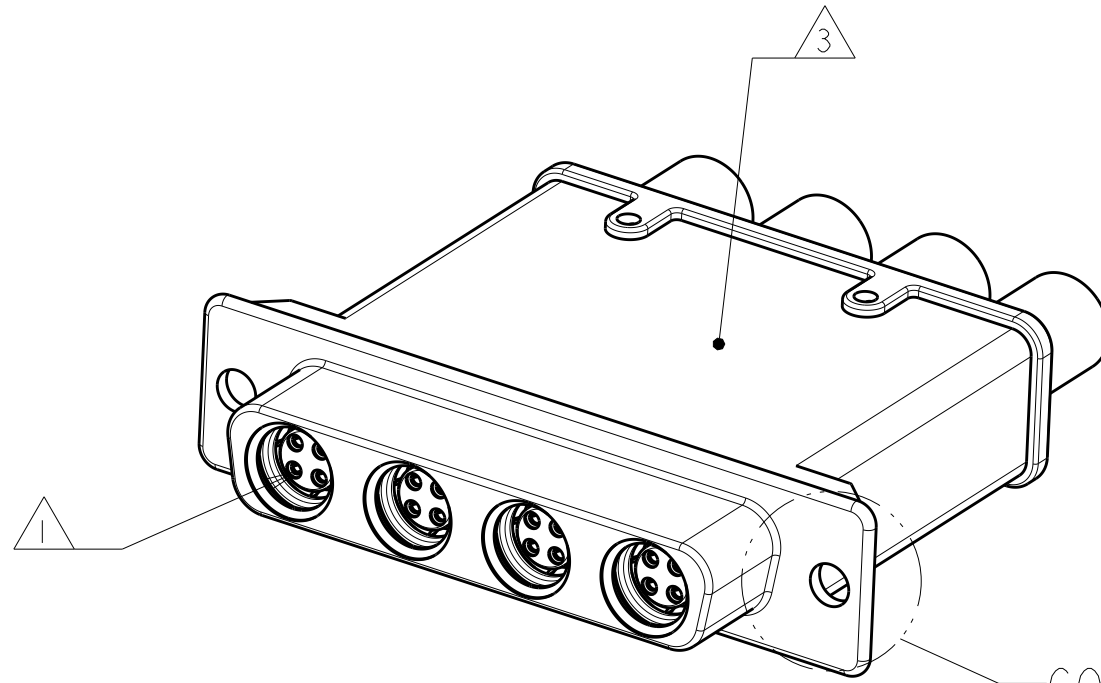
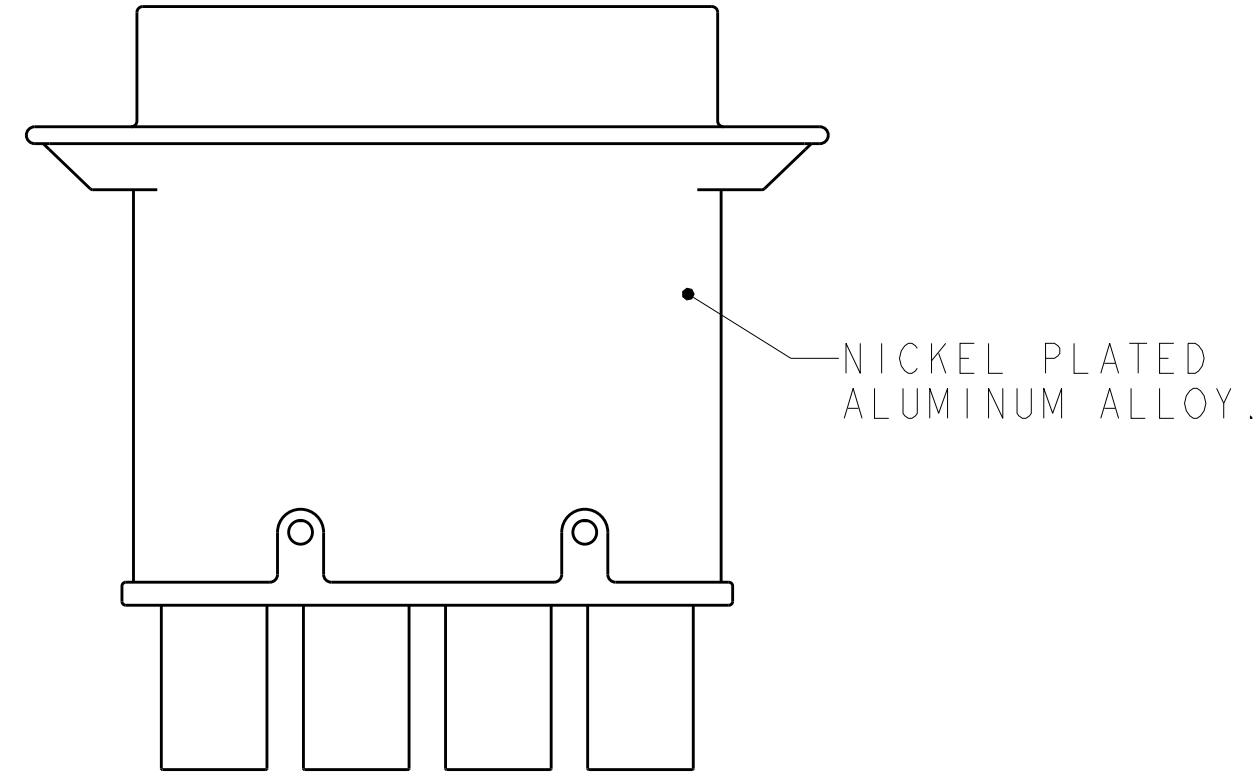


THIS DRAWING IS UNPUBLISHED. RELEASED FOR PUBLICATION 20  
 © COPYRIGHT 20 BY - ALL RIGHTS RESERVED.

REVISIONS					
P	LTR	DESCRIPTION	DATE	DWN	APVD
C		REV. PER ECO 16-017497	12-6-16	CT	DM



SILICON SEAL BOOT 4 PLC, ASSEMBLY SHOWN FOR REFERENCE, BOOTS ARE INCLUDED IN KIT.



CONTACT TYCO ELECTRONICS FOR STANDARD HARDWARE FOR CONNECTOR ATTACHMENT

- 1. CONNECTOR KIT INCLUDES QUADRAX CONTACTS (TYCO ELECTRONICS PART# 1445693-3, QTY 4) FOR 100Ω CABLE.
- 2. RECOMMENDED CABLES :  
 RAYCHEM, CEC-RWC-18687, CEC-RWC-18664  
 TENSOLITE, NF24Q100, NF26Q100.
- 3. CONNECTOR IS MARKED WITH TYCO ELECTRONICS PART#, LOGO, CAGE CODE & DATE CODE.
- 4. OPERATING TEMPERATURE RANGE: -65°C TO 125°C (-85°F TO 257°F).
- 5. SILVER PLATED, STAINLESS STEEL RETENTION CLIPS ARE INSTALLED IN THE CONNECTOR.
- 6. RECESSED CIRCUIT IDENTIFICATION .007±.003 DEEP, CHARACTER HEIGHT .040±.010.
- 7. CONNECTOR KIT INCLUDES QUADRAX CONTACTS (TYCO ELECTRONICS PART #1445693-5, QTY 4) FOR 100Ω CABLE.
- 8. RECOMMENDED CABLES:  
 DRAKA, F4704-4  
 NEXANS, KD24

W/O CONTACTS	2000317-3
7 8	2000317-2
1 2	2000317-1
REMARKS	PART NUMBER

THIS DRAWING IS A CONTROLLED DOCUMENT.		DWN D. FABIAN 06 JUN 2007	TE Connectivity	
DIMENSIONS: INCHES		CHK R. P. WALTER 27 OCT 2009		
TOLERANCES UNLESS OTHERWISE SPECIFIED:		APVD B. YOHN 28 OCT 2009	NAME LOW PROFILE RECTANGULAR QUADRAX 404 ASSY, PLUG, SIZE 3	
0 PLC ±.1 1 PLC ±.01 2 PLC ±.01 3 PLC ±.005 4 PLC ±.0020 ANGLES ±1° FINISH -		PRODUCT SPEC -	SIZE A200779	DRAWING NO C-2000317
MATERIAL -		APPLICATION SPEC -	RESTRICTED TO -	SCALE 2:1 SHEET 1 OF 1 REV C
CUSTOMER DRAWING				

# Mouser Electronics

Authorized Distributor

Click to View Pricing, Inventory, Delivery & Lifecycle Information:

[TE Connectivity:](#)

[2000317-1](#)