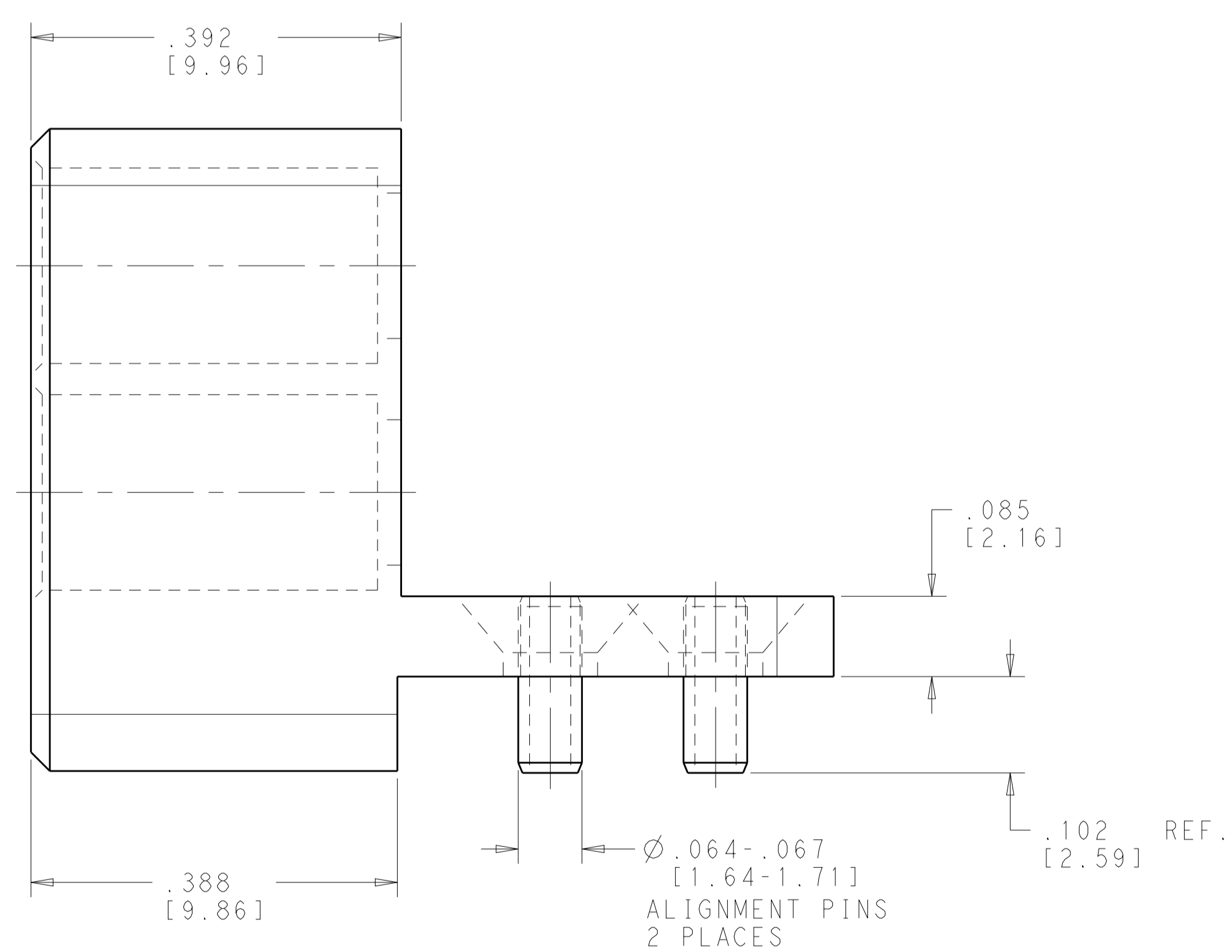
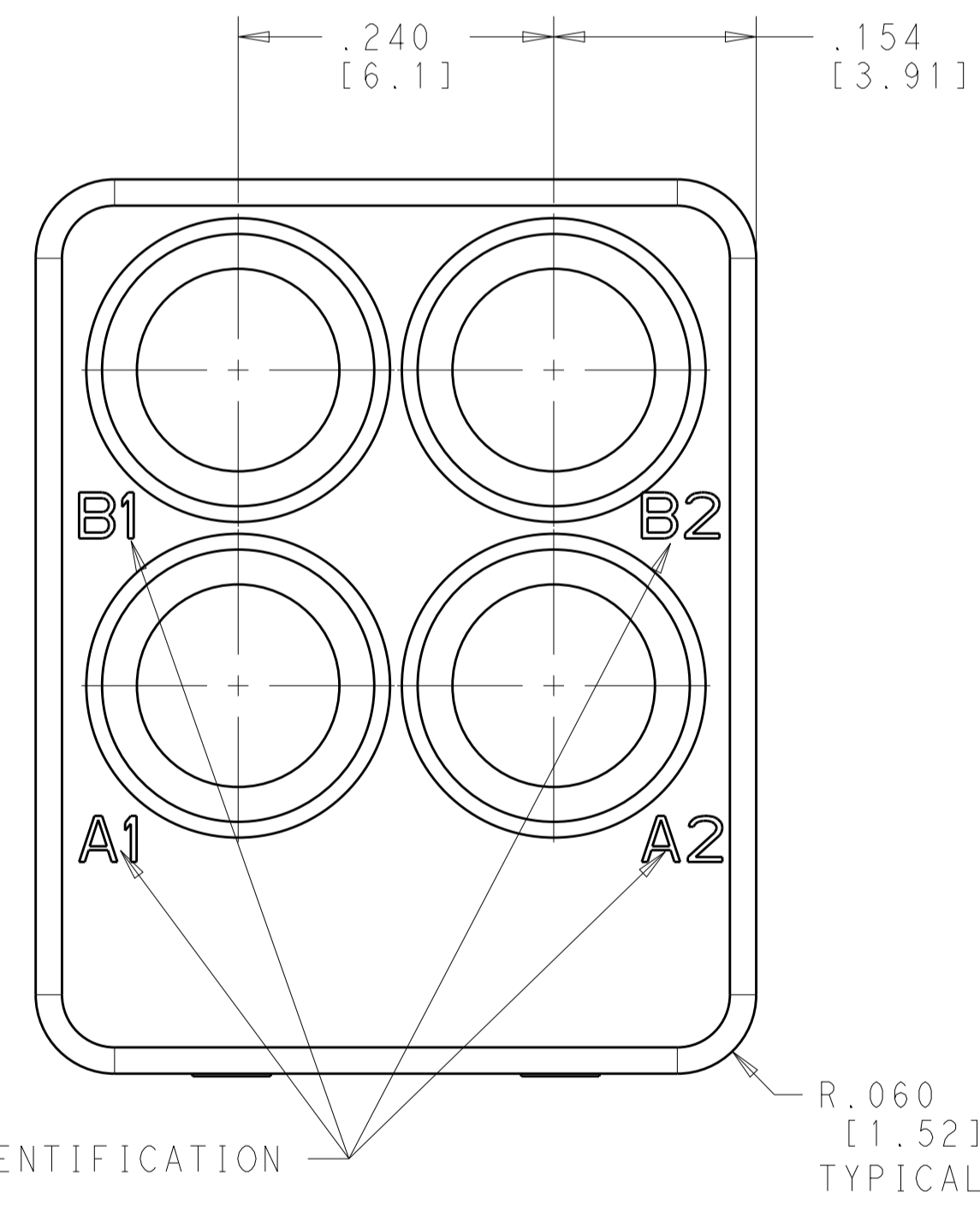
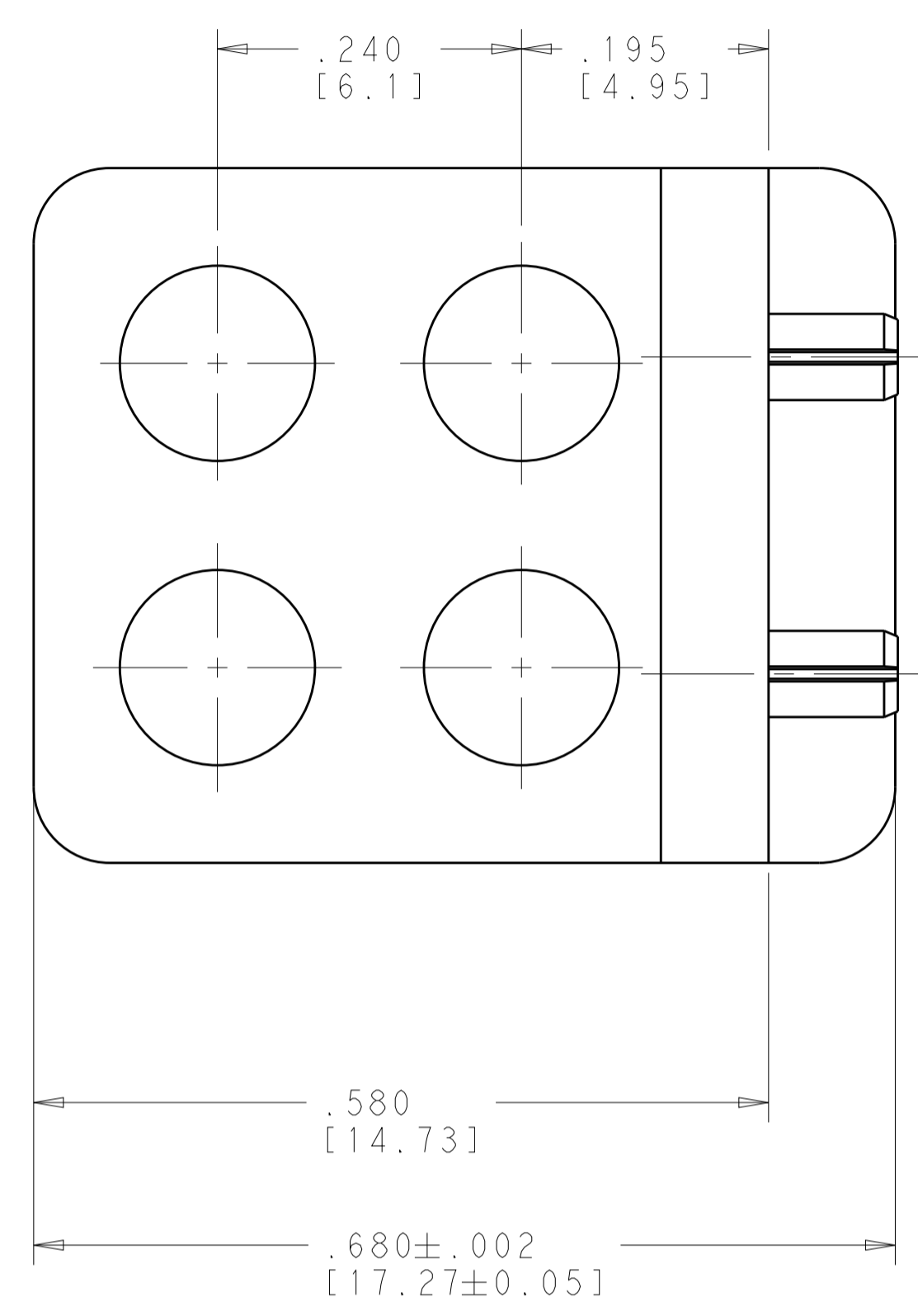
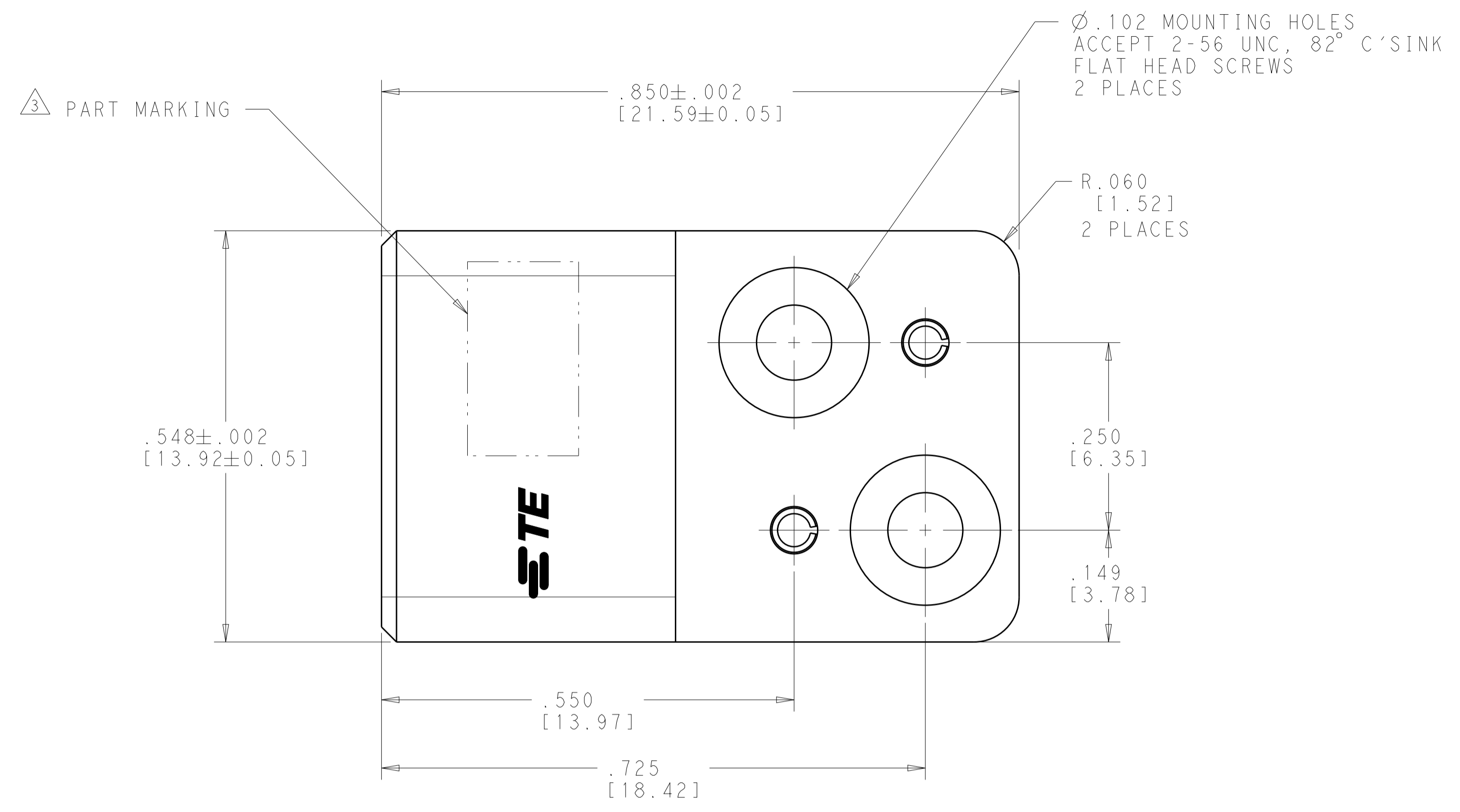
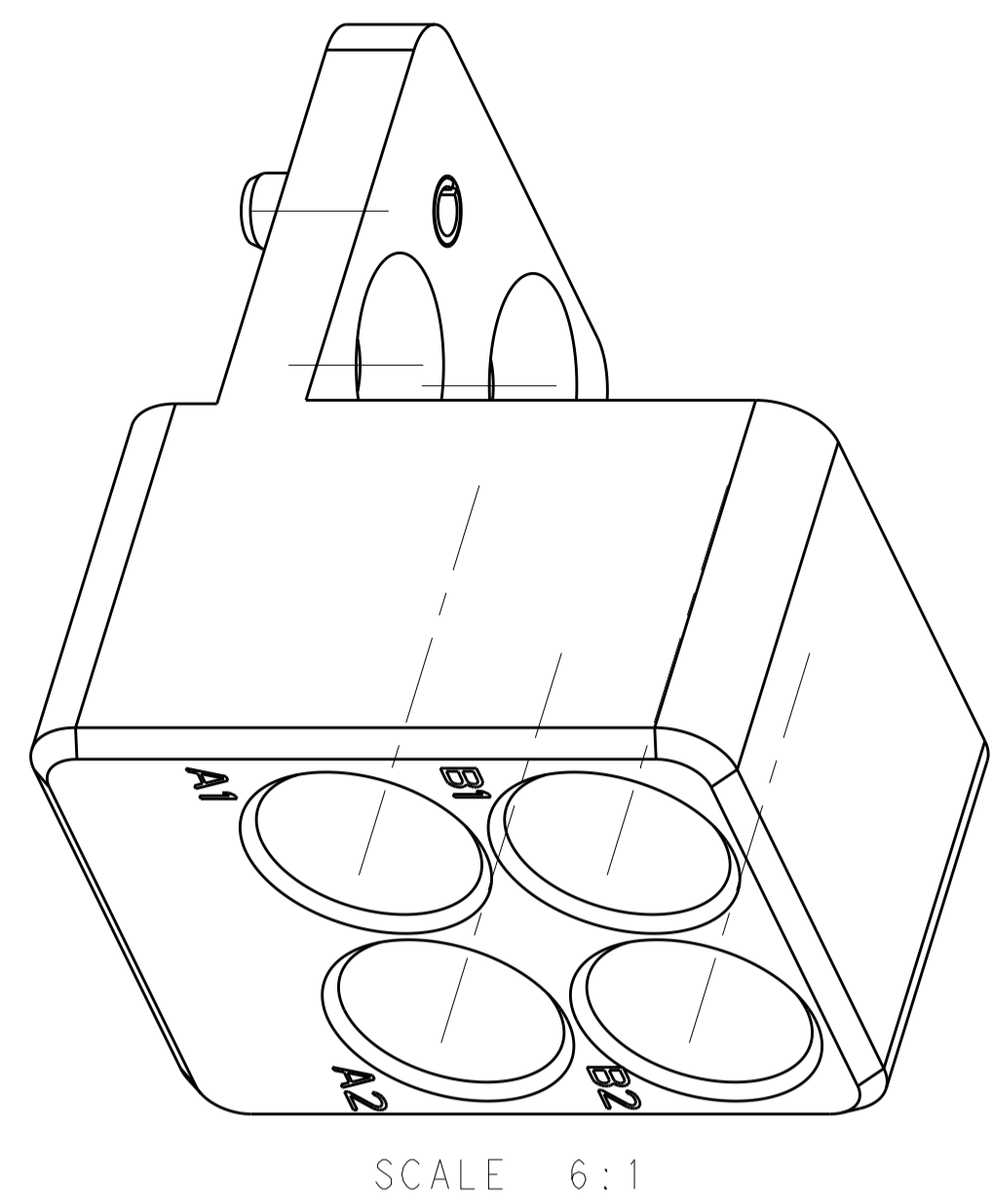


LOC		DIST		REVISIONS			
P	LTH	DATE	DWN	APVD			
H	REV PER ECO	15-012318	10-12-16	CT	DW		



- △ MATERIAL:
MODULE BODY - STAINLESS STEEL, PER UNS S30300
SPRING PINS - WORK HARDENED NICKEL STAINLESS STEEL
- △ FINISH:
MODULE BODY AND SPRING PINS - PASSIVATED
- △ PART MARKING:
TE CONNECTIVITY PART NUMBER, CAGE CODE AND DATE CODE
- △ CAVITY IDENTIFICATION MARKING

1996883-4	△3/4	1996883-4
-----	-----	1996883-3
TE PART MARKING	MARKING REQUIREMENT	PART NUMBER

THIS DRAWING IS A CONTROLLED DOCUMENT.		DWN S.T. Morley 11AUG2009	TE Connectivity NAME 4 POSITION R.F. MODULE P.C.B. MOUNT - DAUGHTER CARD VITA 67, 3U (1/2 SIZE)
DIMENSIONS: [INCHES/mm]		CHK S.T. Morley 11AUG2009	
TOLERANCES UNLESS OTHERWISE SPECIFIED:		APVD S.T. Morley 11AUG2009	
0 PLC ±.1 1 PLC ±.01 2 PLC ±.001 3 PLC ±.0005 4 PLC ±.0005 ANGLES ±1.0°		PRODUCT SPEC APPLICATION SPEC WEIGHT .512 oz CUSTOMER DRAWING	
MATERIAL	FINISH	SIZE CAGE CODE DRAWING NO	RESTRICTED TO
		A1 00779 C=1996883	
		SCALE 8:1	SHEET 1 OF 1 REV H

Mouser Electronics

Authorized Distributor

Click to View Pricing, Inventory, Delivery & Lifecycle Information:

[TE Connectivity:](#)

[1996883-4](#)