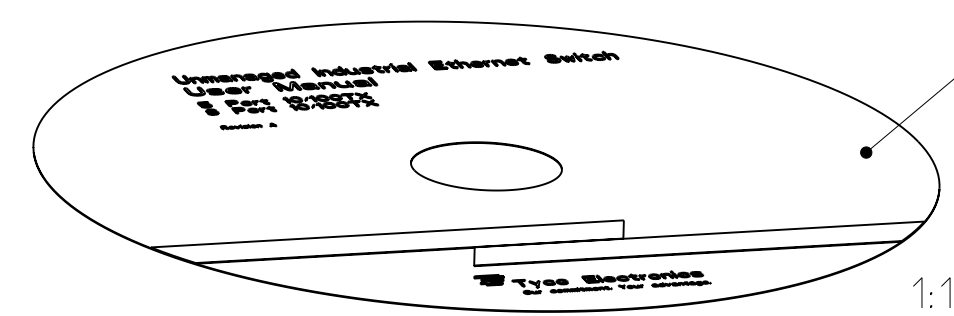
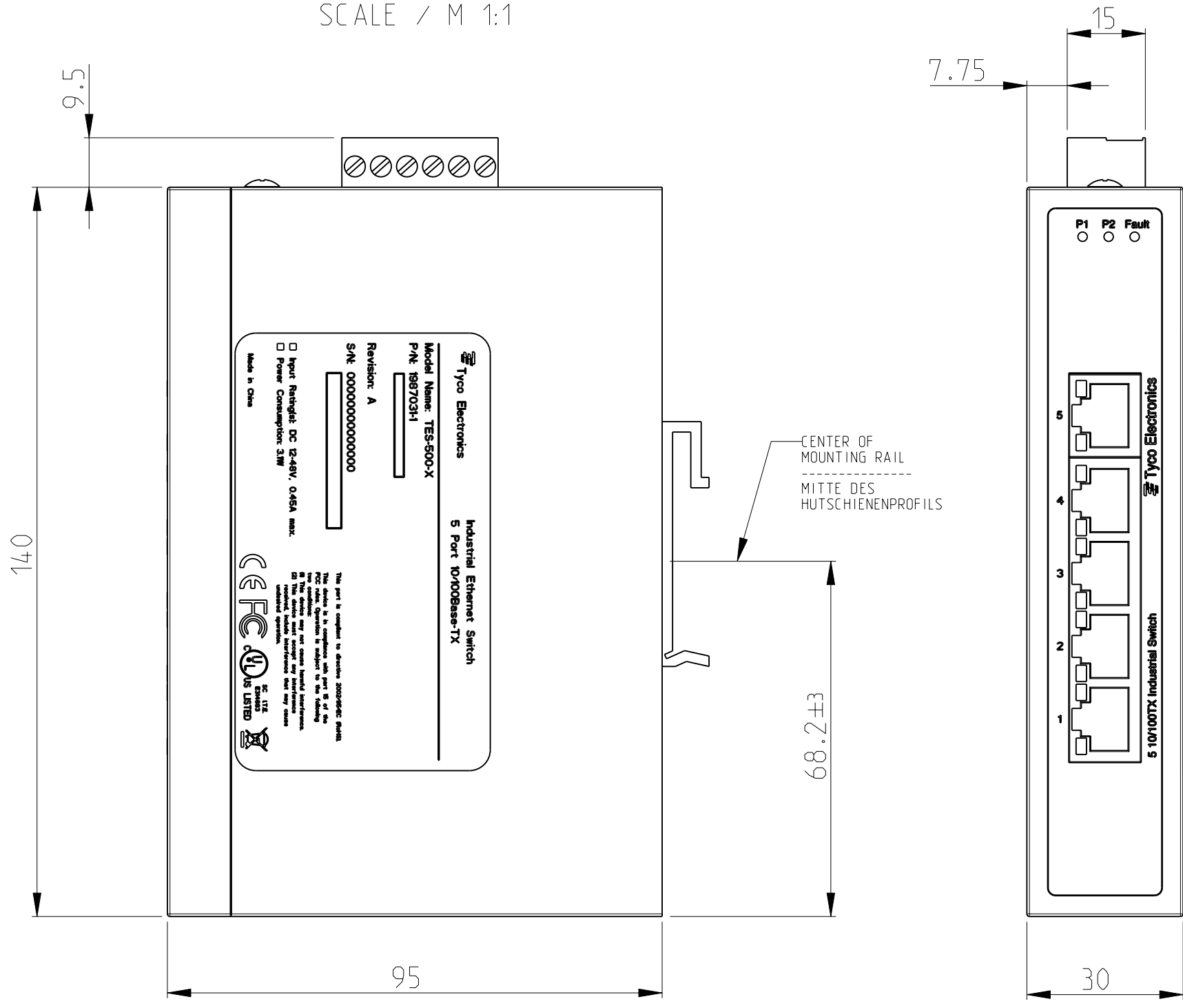


LOC	DIST	REV	DATE	BY	CHK	APPV
A1	-	P	04 JUN 2007	STO	RK	
PROJECT NO. EG0MP06058		A1	NEW DRAWING PUBLISHED	04 JUN 2007	STO	RK
		A2	SEE PCN E-07-014454	18 JUN 2007	BB	RK
		A3	DRAWING CHANGED PER PCN E-07-015934	23 JUL 2007	STO	R.K.
		A4	REV. PER PCN E-08-009570	21 APR 2008	STO	R.K.

1987031-1 AS SHOWN

SCALE / M 1:1

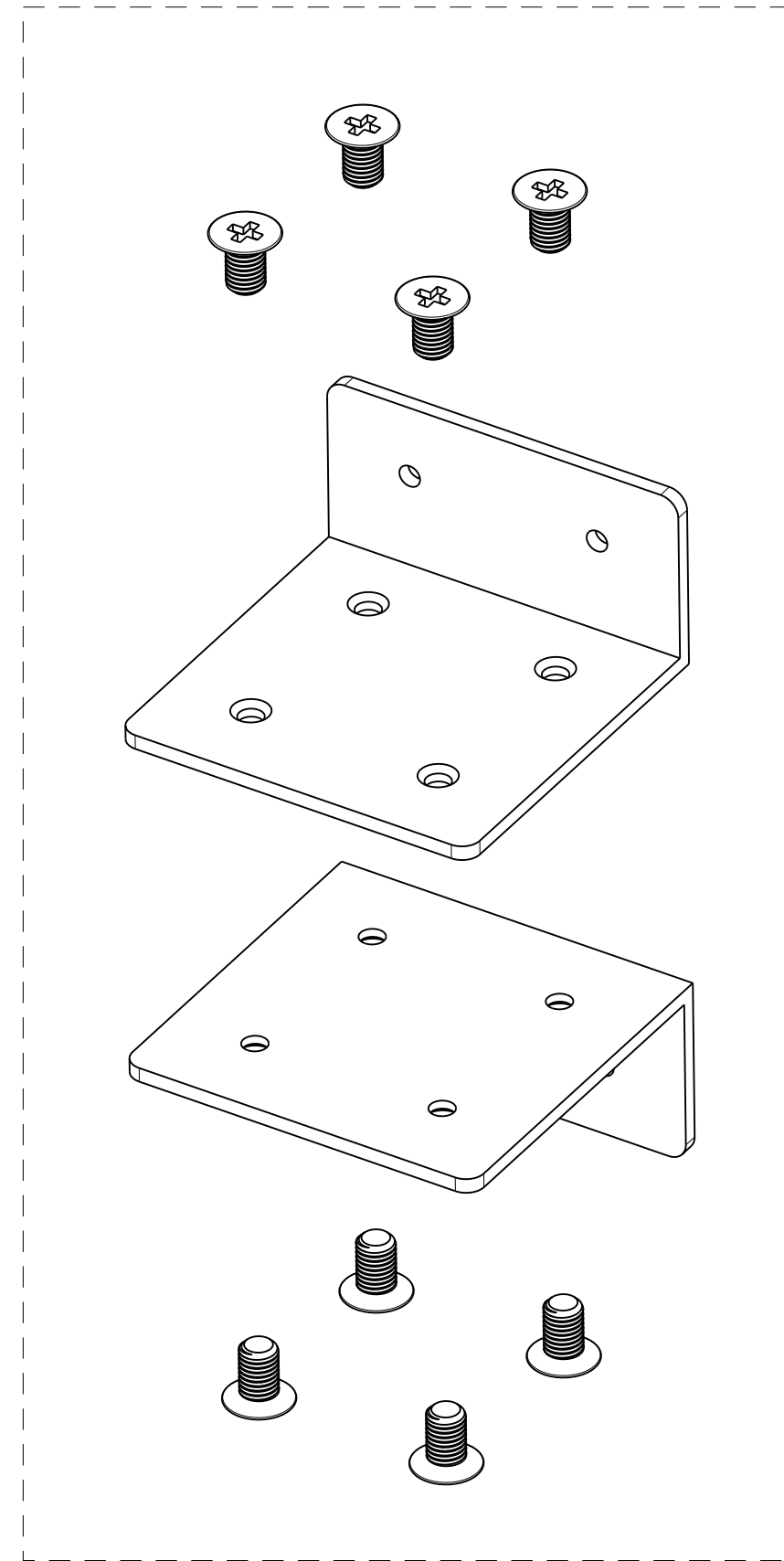


USER MANUAL CD
 ENCLOSED

 BEDIENUNGSANLEITUNGS-CD
 BEILIEGEND

HARDWARE SPECIFICATION

1	ETHERNET STANDARD COMPLIANCE	IEEE 802.3 - 10BASE-T IEEE 802.3u - 100BASE-TX IEEE 802.3x - FLOW CONTROL AND BACK PRESSURE
2	SWITCH ARCHITECTURE	STORE-AND-FORWARD SWITCHING ARCHITECTURE BACK-PLANE (SWITCHING FABRIC): 10Gbps PACKET THROUGHPUT ABILITY (FULL DUPLEX): 1.49Mpps @ 64bytes
3	TRANSFER RATE	10BASE-T PORT: 14 880pps 100BASE-TX PORT: 148 800pps
4	MAC ADDRESS	2K MAC ADDRESS TABLE
5	ETHERNET PORTS	5x 10/100TX RJ-45 AUTO MDI/MDI-X SUPPORT
6	LED	PER UNIT: POWER 1 (GREEN), POWER 2 (GREEN), FAULT (RED) PER PORT: LINK/ACTIVE (GREEN), FULL DUPLEX/COLLISION (YELLOW)
7	POWER SUPPLY	WIDE RANGE SUPPLY: 12 TO 48 V DC REVERSE POLARITY PROTECTED OVERLOAD CURRENT PROTECTED (RE-SETTABLE FUSE)
8	POWER CONSUMPTION	3.1 WATTS

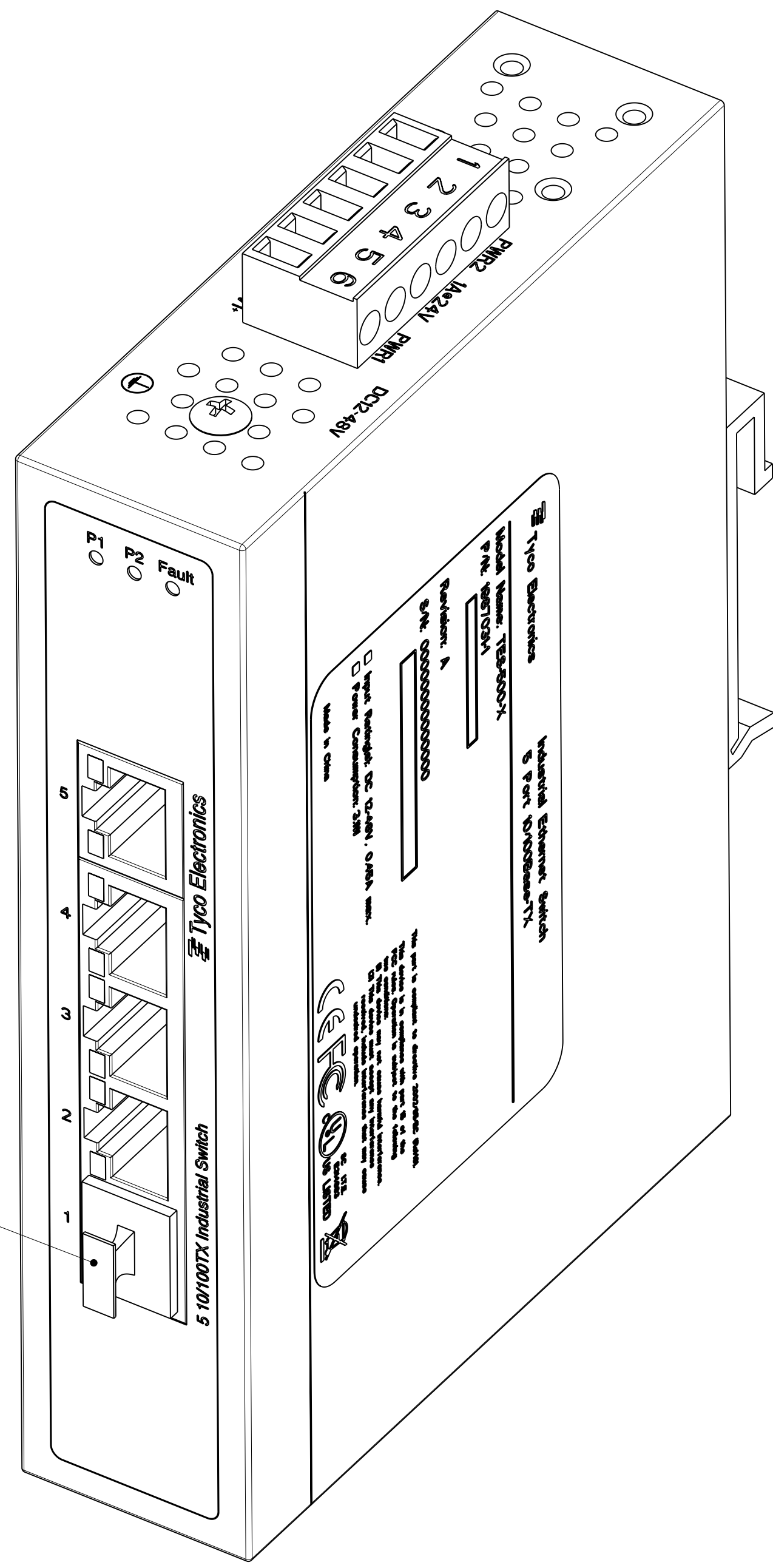


WALL MOUNTING KIT
 ENCLOSED

 WANDMONTAGE-BAUSATZ
 BEILIEGEND

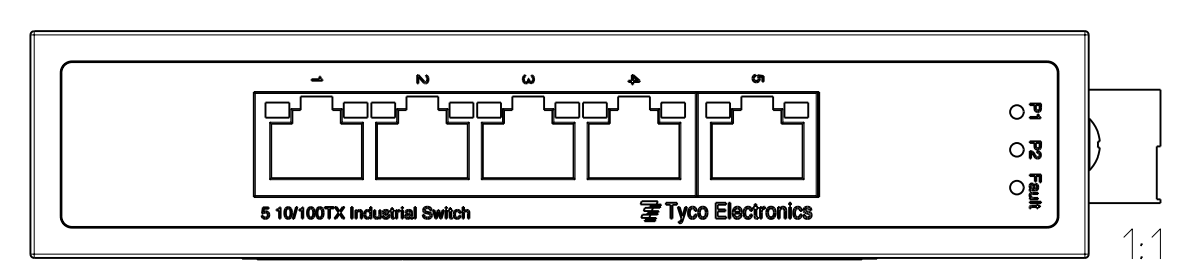
DUST COVER
 FOR RJ45 PORT
 5 x ENCLOSED

 STAUBSCHUTZKAPPE
 FÜR RJ45-EINGANG
 5 x BEILIEGEND

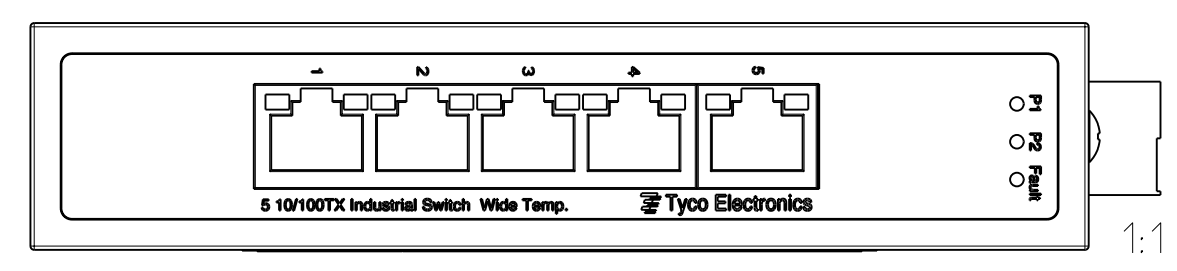


1987031-1 AS SHOWN

FRONT PANEL 1987031-1



FRONT PANEL 1987031-2



1987031-2	1987031-1	QUANTITY STUECK	ITEM NO. POS.	DESCRIPTION BENENNUNG
		1	2	5 10/100TX SWITCH TES-500-XE WIDE OPERATING TEMPERATURE RANGE -40 °C TO 75 °C
		-	1	5 10/100TX SWITCH TES-500-X STANDARD OPERATING TEMPERATURE RANGE -10 °C TO 60 °C

TYCO ELECTRONICS
 ORDER NO.
 BESTELL-NR.

THIS DRAWING IS UNPUBLISHED VERBODEN TOEGANG TOT DEZE TITELBLAD RELEASED FOR PUBLICATION FÜR DIE VERÖFFENTLICHUNG 2007 MATED WITH PASSEND ZU COPYRIGHT 2007 BY TYCO ELECTRONICS CORPORATION. ALL RIGHTS RESERVED. ALLE RECHTE VORBEHALTEN.		DWN S. STOLZ 04 JUN 2007 CHK B. BERGNER 04 JUN 2007 APPV P. KRAEMER 04 JUN 2007	Tyco Electronics AMP GmbH 64625 Bensheim (Germany)
DIMENSIONS MASSENMEN (mm)		TOLERANCES UNLESS OTHERWISE SPECIFIED: ALLGEMEINTOLERANZEN	NAME INDUSTRIAL ETHERNET SWITCH TES-500-X(E) 5 PORT 10/100BASE-TX
MATERIAL -		WEIGHT GEWICHT 440 g	SIZE ZEICHNUNG-NR. A1 00779 C=1987031
CUSTOMER DRAWING /KUNDENZEICHNUNG		SCALE MASSSTAB 2:1	SHEET BLATT 1 OF VON 1 REV A4

Mouser Electronics

Authorized Distributor

Click to View Pricing, Inventory, Delivery & Lifecycle Information:

[TE Connectivity Divested:](#)

[1987031-1](#)