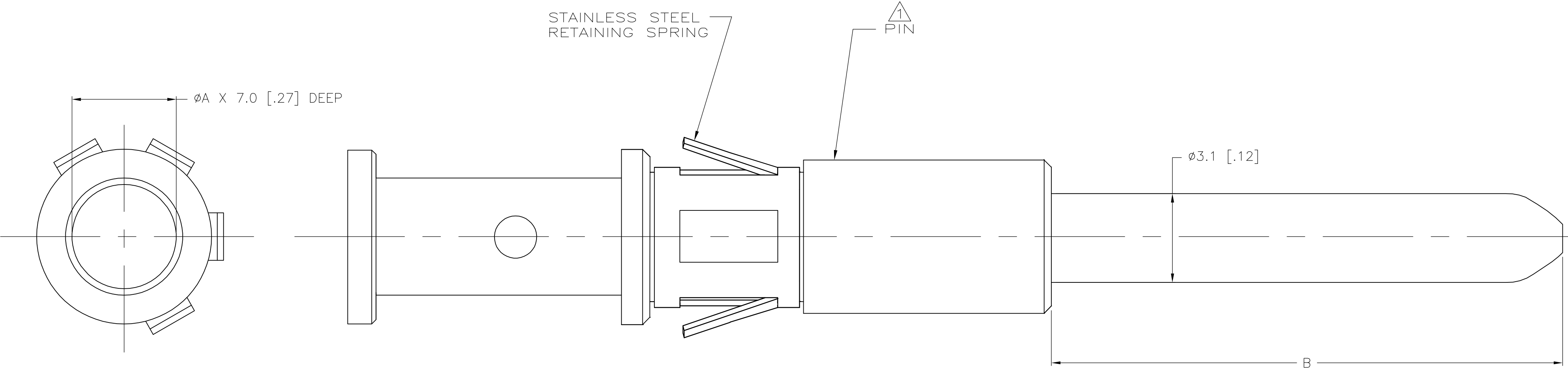


THIS DRAWING IS UNPUBLISHED. RELEASED FOR PUBLICATION  
 © COPYRIGHT BY TYCO ELECTRONICS CORPORATION. ALL RIGHTS RESERVED.

LOC	DIST	REVISIONS					
FT	0	P	LTR	DESCRIPTION	DATE	DWN	APVD
		G1		REVISED PER ECO-06-29166	12/13/06	SS	GS



HOT MATE

NOTE 2	FIRST	13.75 [.541]	Ø3.68 [.145]	#10	1-194189-2
NOTE 2	FIRST	13.75 [.541]	Ø4.60 [.181]	#8	1-194189-1
NOTE 3	SECOND	11.75 [.461]	Ø2.67 [.105]	#12-#14	1-194189-0
NOTE 2	THIRD	9.75 [.384]	Ø2.67 [.105]	#12-#14	194189-9
NOTE 2	THIRD	9.75 [.384]	Ø3.68 [.145]	#10	194189-8
NOTE 2	THIRD	9.75 [.384]	Ø4.60 [.181]	#8	194189-7
NOTE 2	SECOND	11.75 [.461]	Ø2.67 [.105]	#12-#14	194189-6
NOTE 2	FIRST	13.75 [.541]	Ø2.67 [.105]	#12-#14	194189-3
FINISH	MATING SEQUENCE	B	A	WIRE AWG	PART NO.

- 1 MATERIAL: TELLURIUM COPPER.
- 2. FINISH: SILVER PLATE OVER NICKEL PLATE.
- 3. FINISH: GOLD PLATE OVER NICKEL PLATE.

THIS DRAWING IS A CONTROLLED DOCUMENT. 28/SEP/95

DWN	D.A.P.	 Tyco Electronics Corporation Harrisburg, PA 17105-3608	PIN ASSEMBLY, 3 MM		
CHK	-				
APVD	-				
PRODUCT SPEC	-				
APPLICATION SPEC	-	SIZE	CAGE CODE	DRAWING NO	RESTRICTED TO
WEIGHT	-	A2	00779	C=194189	-
CUSTOMER DRAWING		SCALE	SHEET	1 of 1	REV
					G1

# Mouser Electronics

Authorized Distributor

Click to View Pricing, Inventory, Delivery & Lifecycle Information:

[TE Connectivity:](#)

[194189-9](#)