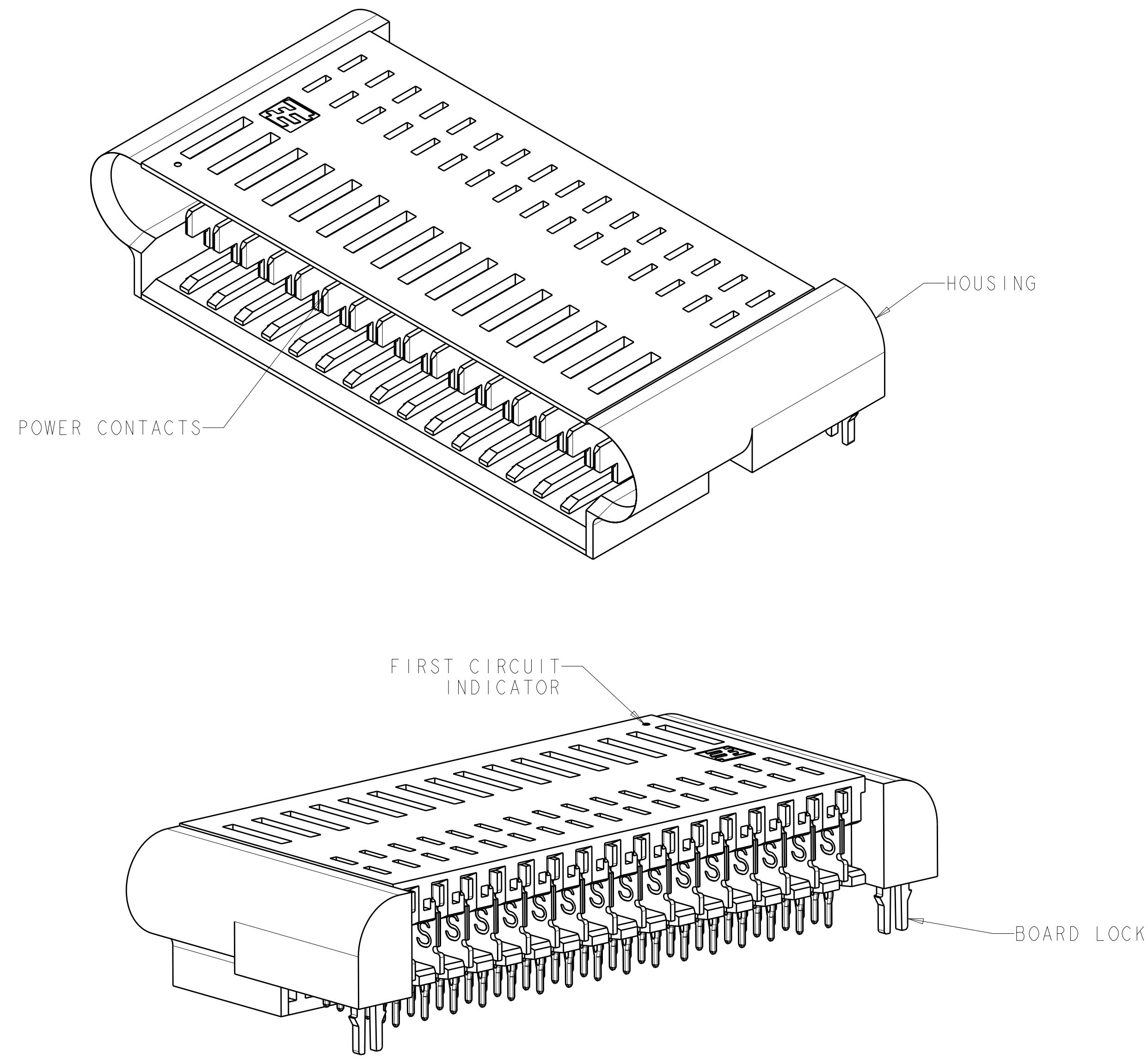


LOC	DIST	REVISIONS			
AA	00	REV	DATE	BY	APPD
		C	ECO-09-028526	04JAN2010	LAW EW



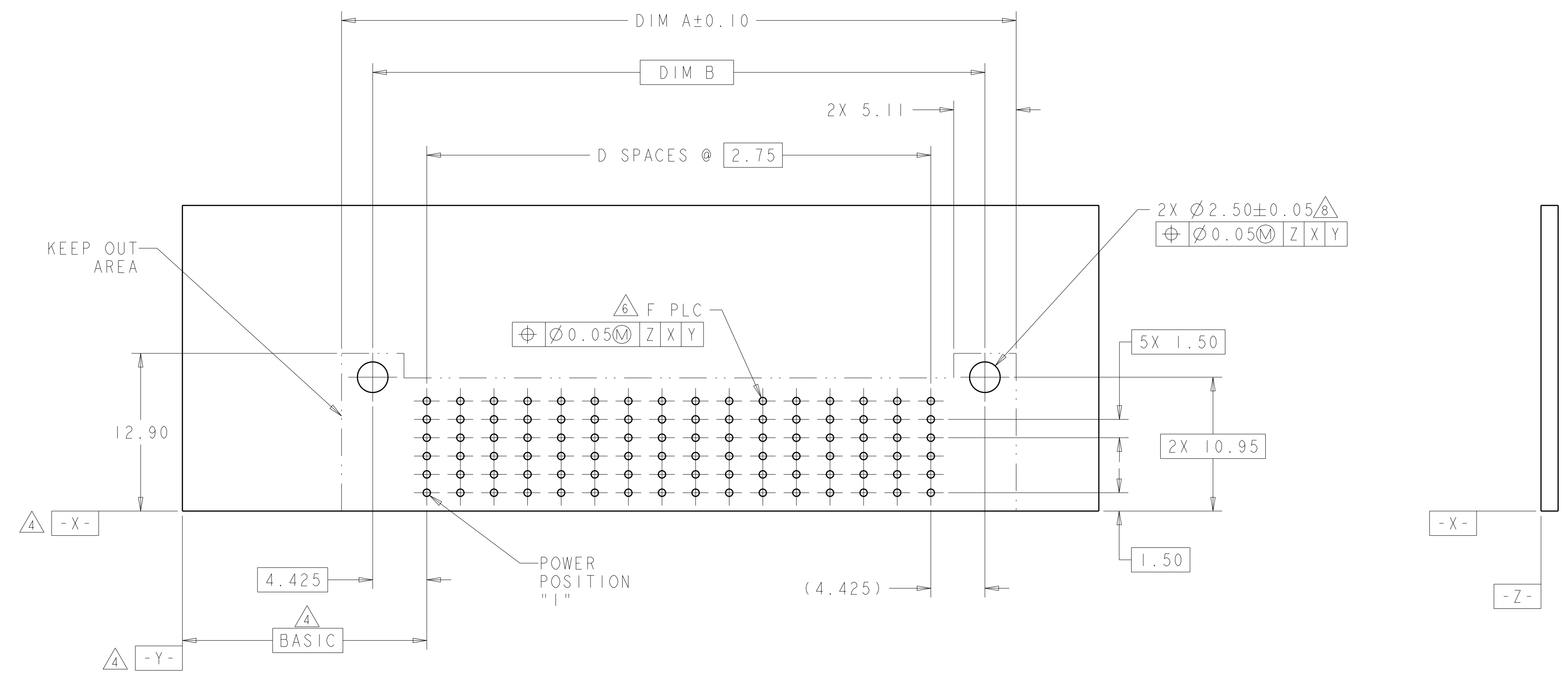
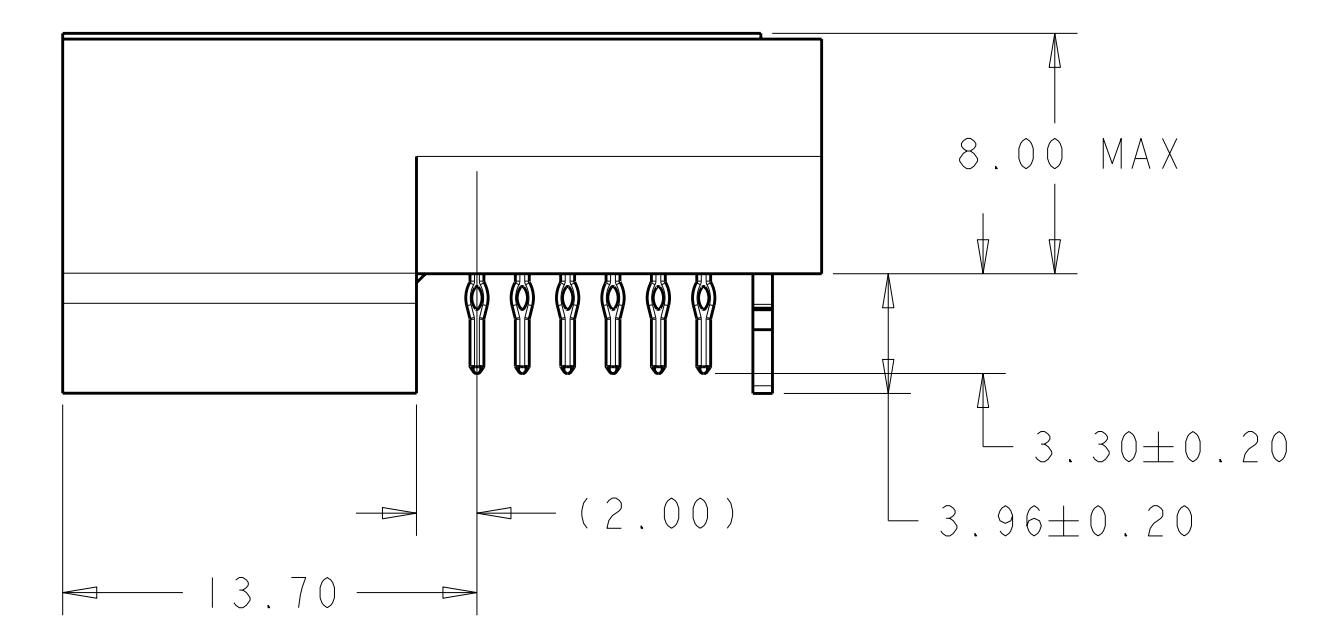
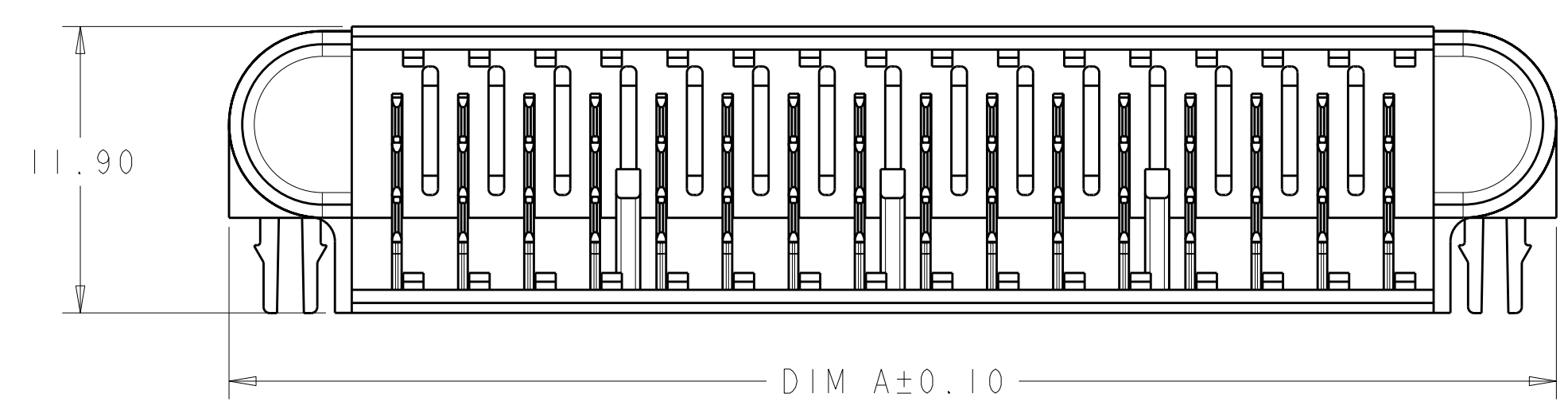
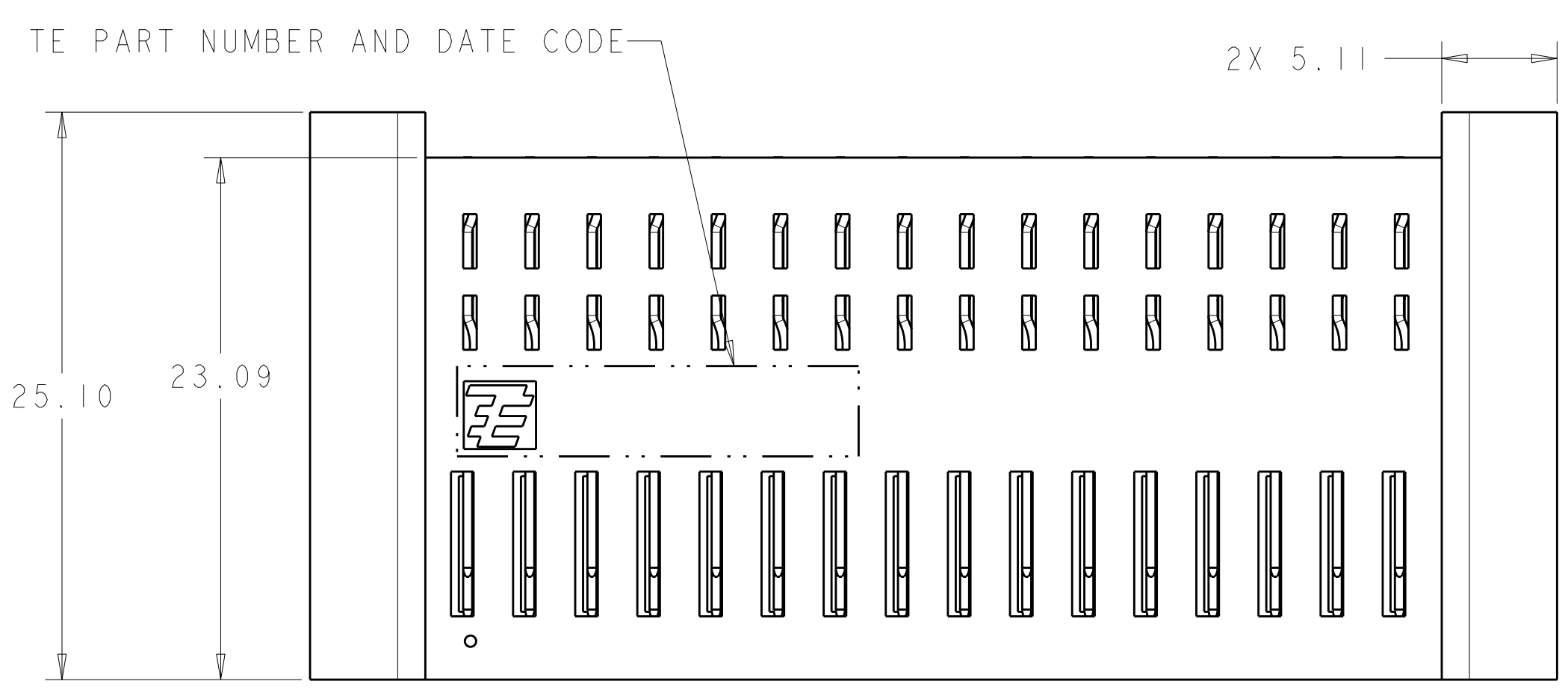
- HOUSING: GLASS FILLED LIQUID CRYSTAL POLYMER, COLOR: BLACK, UL 94 V-0 RATED
 POWER CONTACT: COPPER ALLOY
 BOARD LOCK: PHOSPHOR BRONZE
 - POWER CONTACT: 0.00127mm MIN NICKEL ALL OVER,
 MATING AREA: 0.00076mm MIN GOLD OR
 0.00008mm MIN GOLD OVER 0.00076mm MIN PALLADIUM-NICKEL,
 TAIL AREA: 0.0005mm MIN MATTE TIN
 BOARD LOCK: 0.00076mm MIN MATTE TIN OVER
 0.00127mm MIN NICKEL.
 - CONTACT MATING AREA LUBRICATED WITH BELLCORE APPROVED LUBRICANT,
 TECHNICAL REFERENCE: GR-1217-CORE, ISSUE 1, NOVEMBER 1995
- △ DATUMS AND BASIC DIMENSIONS TO BE ESTABLISHED BY CUSTOMER.
- △ PC BOARD THICKNESS 1.4mm MIN, FOR WAVE SOLDER PC BOARD THICKNESS 2.62 MAX
- △ SEE APPLICATION SPEC 114-13215 FOR PLATED THROUGH HOLE INFORMATION
7. SEE CUSTOMER DRAWING 1926711 OR 1926713 FOR MATING CONNECTOR
- △ UNPLATED HOLES

1-1926710-6 SHOWN

180	29	88.60	93.71	30P	3-1926710-0
168	27	83.10	88.21	28P	2-1926710-8
156	25	77.60	82.71	26P	2-1926710-6
144	23	72.10	77.21	24P	2-1926710-4
132	21	66.60	71.71	22P	2-1926710-2
120	19	61.10	66.21	20P	2-1926710-0
108	17	55.60	60.71	18P	1-1926710-8
96	15	50.10	55.21	16P	1-1926710-6
84	13	44.60	49.71	14P	1-1926710-4
72	11	39.10	44.21	12P	1-1926710-2
60	9	33.60	38.71	10P	1-1926710-0
48	7	28.10	33.21	8P	1926710-8
36	5	22.60	27.71	6P	1926710-6
F PLC	D SPACES	DIM B	DIM A	NUMBER OF POSITIONS	PART NUMBER

DIMENSIONS: mm 		TOLERANCES UNLESS OTHERWISE SPECIFIED: 9 PLC ± 1 PLC ±0.13 5 PLC ± 4 PLC ± ANGLES ±		DWN G. PETERS 18DEC2007 CHK N. REESER 11APR2008 APVD N. REESER 11APR2008		Tyco Electronics Harrisburg, PA 17105-3608	
MATERIAL SEE NOTE 1 FINISH SEE NOTE 2		PRODUCT SPEC 108-2325 APPLICATION SPEC 114-13215		NAME PLUG ASSEMBLY, RIGHT ANGLE, PASSIVE GUIDE, POWER ONLY, WITH BOARD LOCKS, MINIPAK HDL SIZE CAGE CODE DRAWING NO. A100779C=1926710 RESTRICTED TO		CUSTOMER DRAWING SCALE 2:1 SHEET 1 OF 2 REV C	

LOC	DIST	REVISIONS					
AA	00	P	LTR	DESCRIPTION	DATE	DWN	APVD
		-	-	SEE SHEET 1	-	-	-



1-1926710-6 SHOWN
RECOMMENDED PRINTED CIRCUIT BOARD LAYOUT △
 (AS VIEWED FROM COMPONENT SIDE)

<small>THIS DRAWING IS UNPUBLISHED. RELEASED FOR PUBLICATION BY TYCO ELECTRONICS CORPORATION. ALL RIGHTS RESERVED. THIS IS SUBJECT TO CHANGE WITHOUT NOTICE AND WITHOUT OBLIGATION. SHOULD BE CONTACTED FOR THE LATEST REVISION.</small>		DWN: S. PETERS 18DEC2007 CHK: N. REESER 11APR2008 APVD: N. REESER 11APR2008	Tyco Electronics Harrisburg, PA 17105-3608
DIMENSIONS: mm 	TOLERANCES UNLESS OTHERWISE SPECIFIED: 9 PLC ± 8 PLC ±0.13 5 PLC ± 4 PLC ± ANGLES ±	NAME: N. REESER PRODUCT SPEC: 108-2325 APPLICATION SPEC: 114-13215 WEIGHT: - FINISH: SEE NOTE 2	NAME: PLUG ASSEMBLY, RIGHT ANGLE, PASSIVE GUIDE, POWER ONLY, WITH BOARD LOCKS, MINIPAK HDL SIZE: A 00779 C=1926710 CUSTOMER DRAWING SCALE: 2:1 SHEET 2 OF 2 REV C

Mouser Electronics

Authorized Distributor

Click to View Pricing, Inventory, Delivery & Lifecycle Information:

[TE Connectivity:](#)

[1-1926710-2](#)