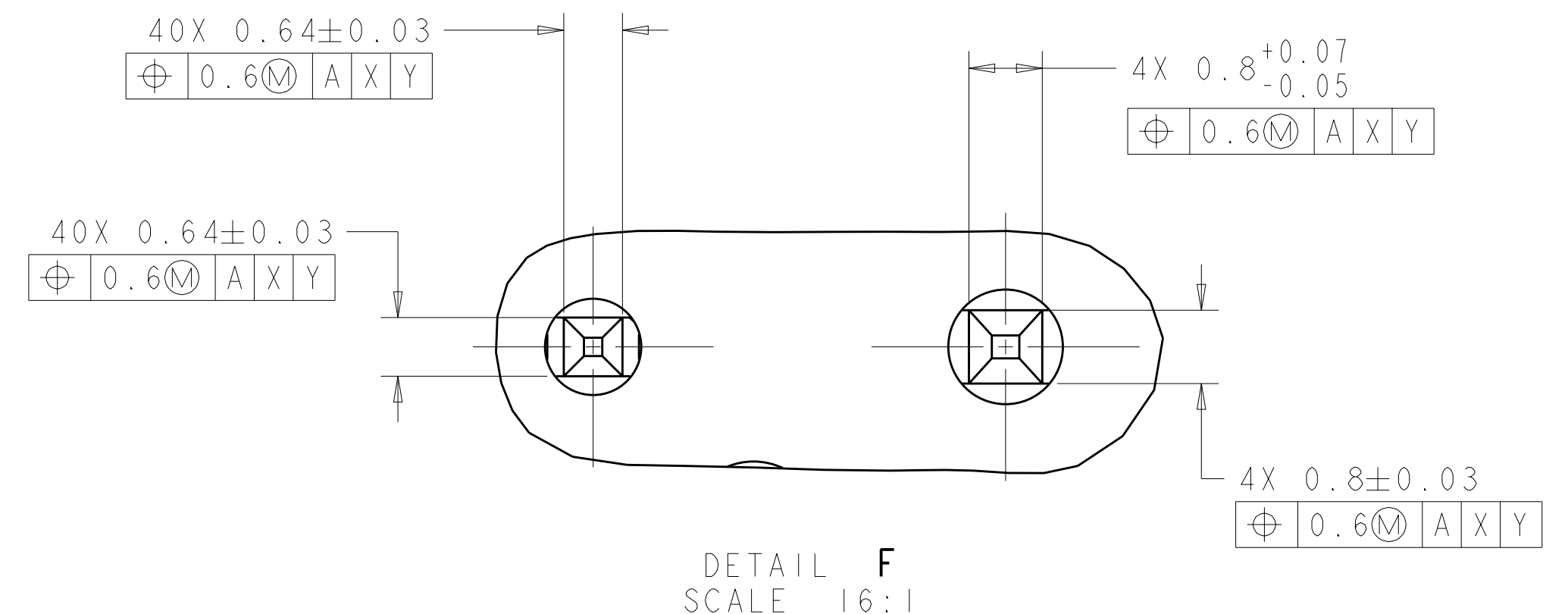
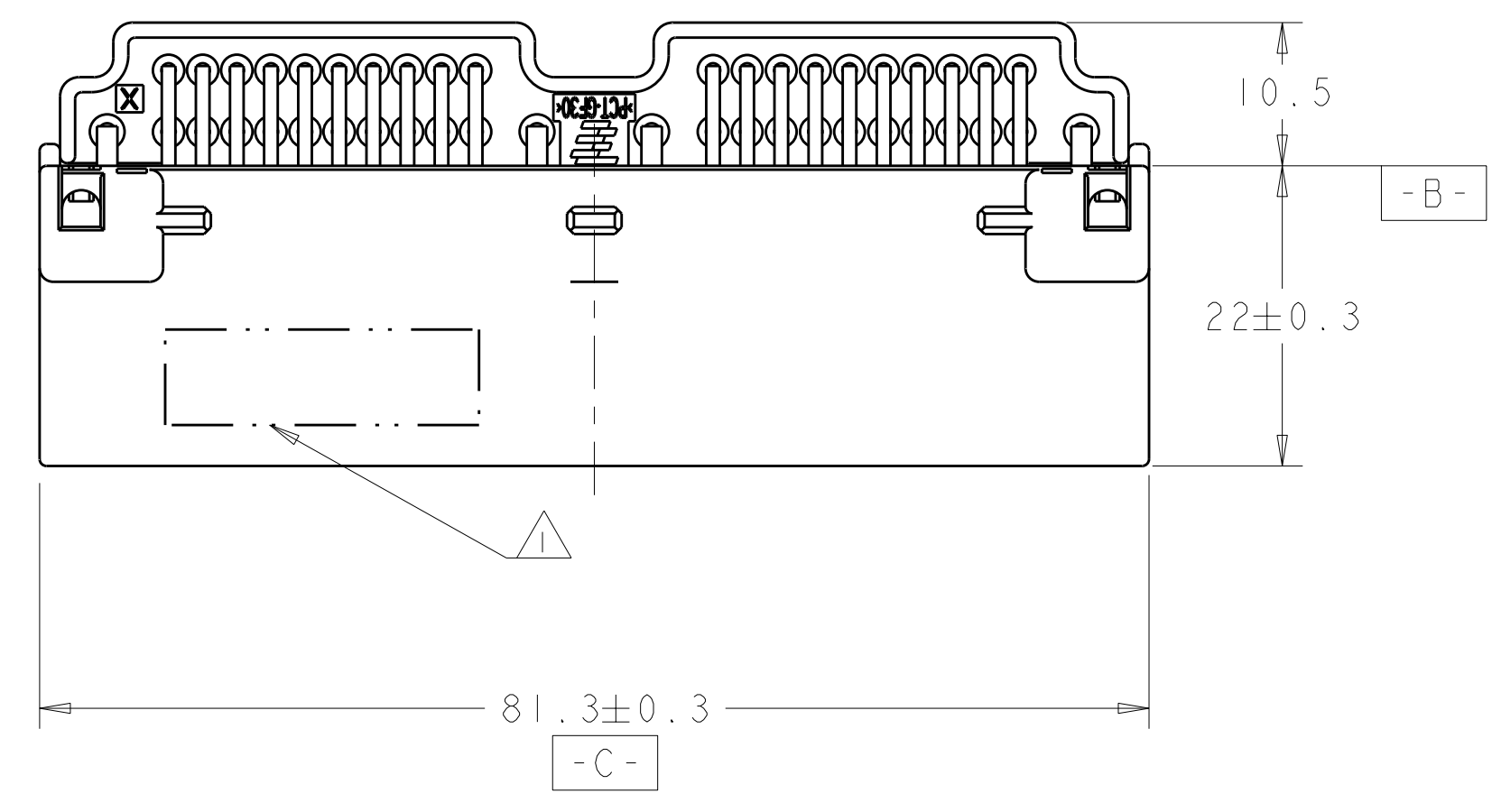
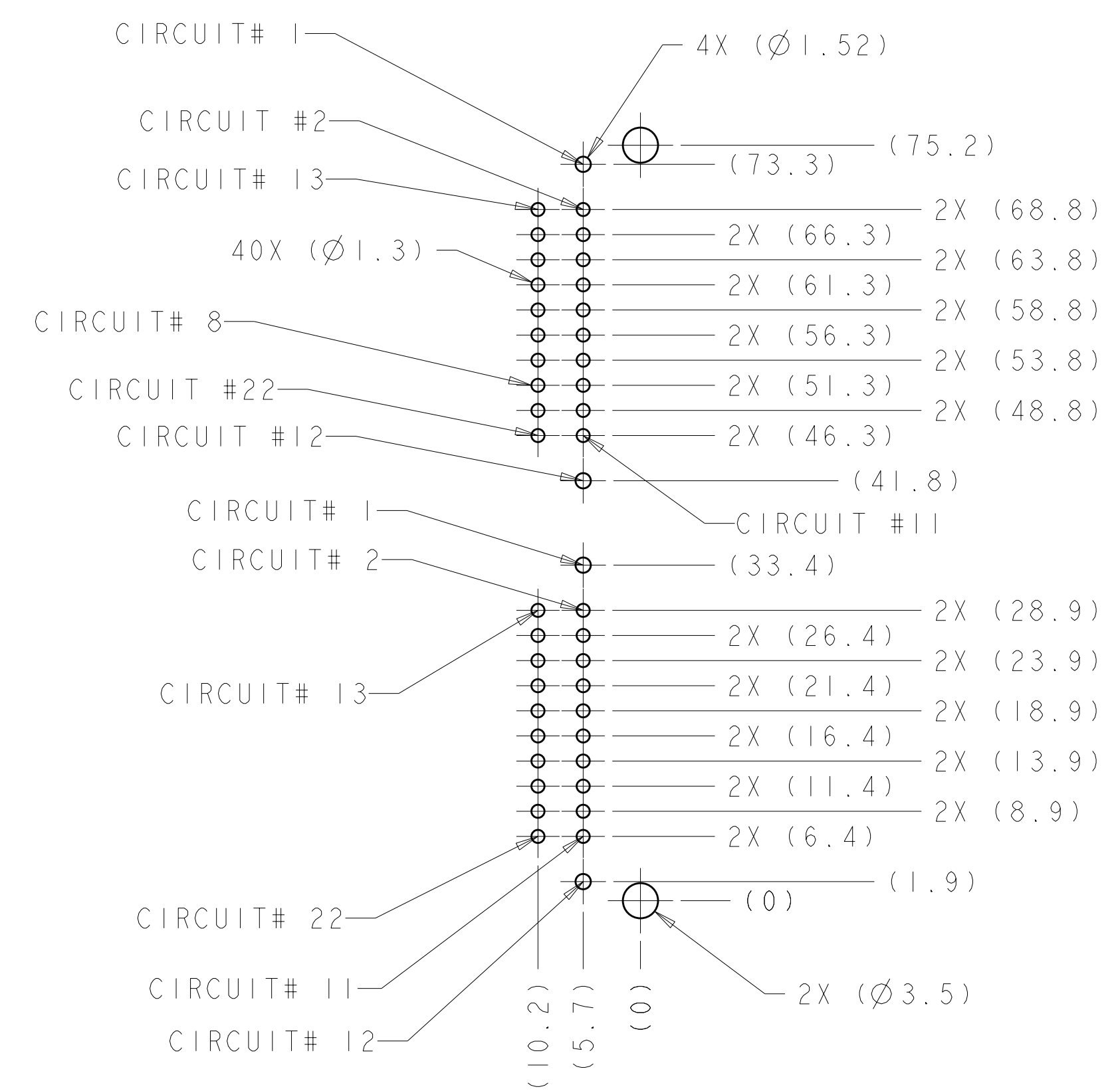
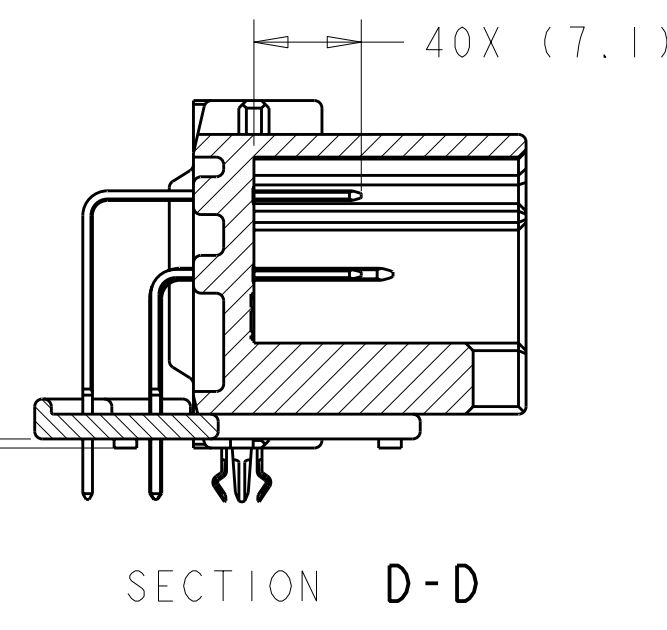


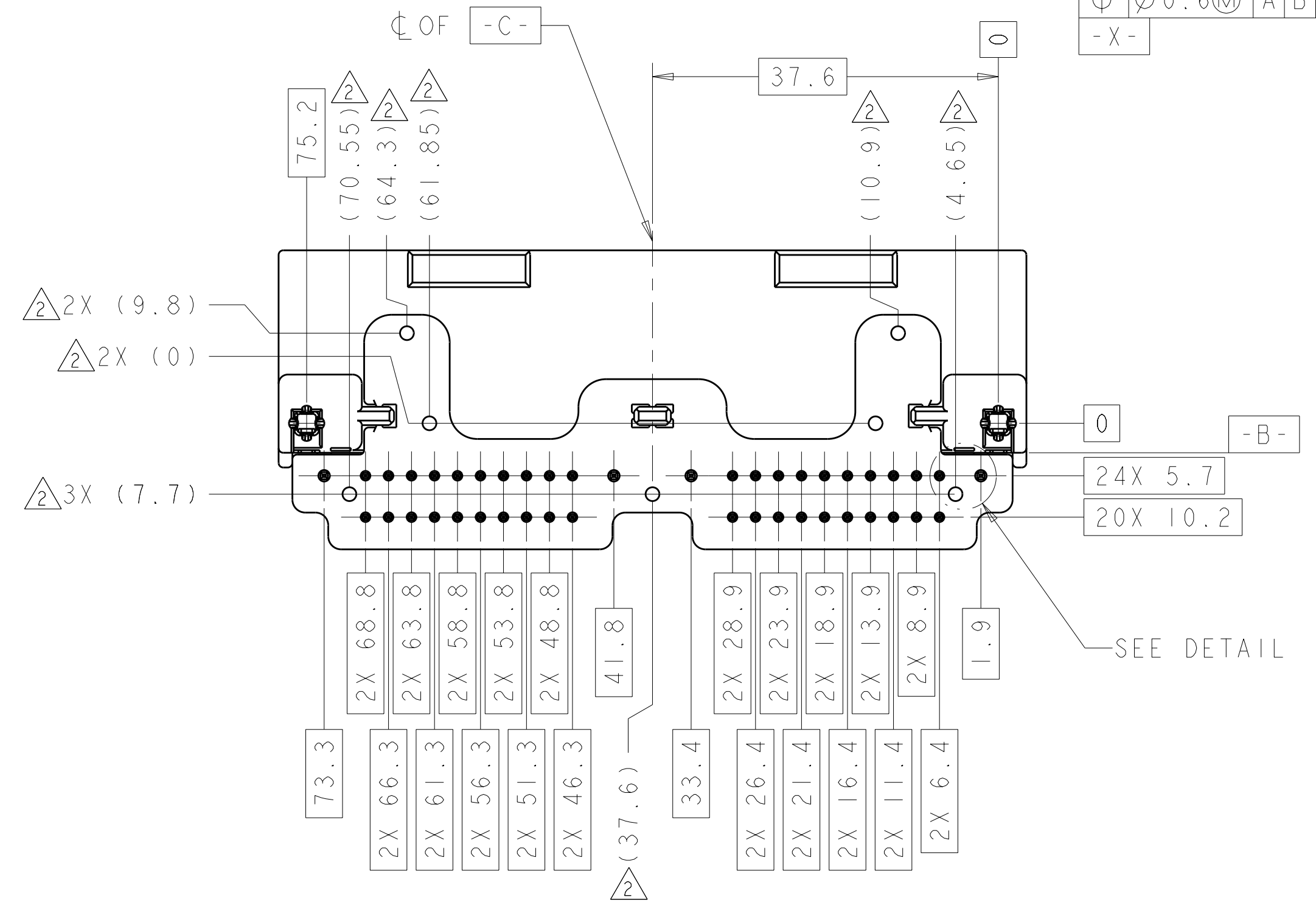
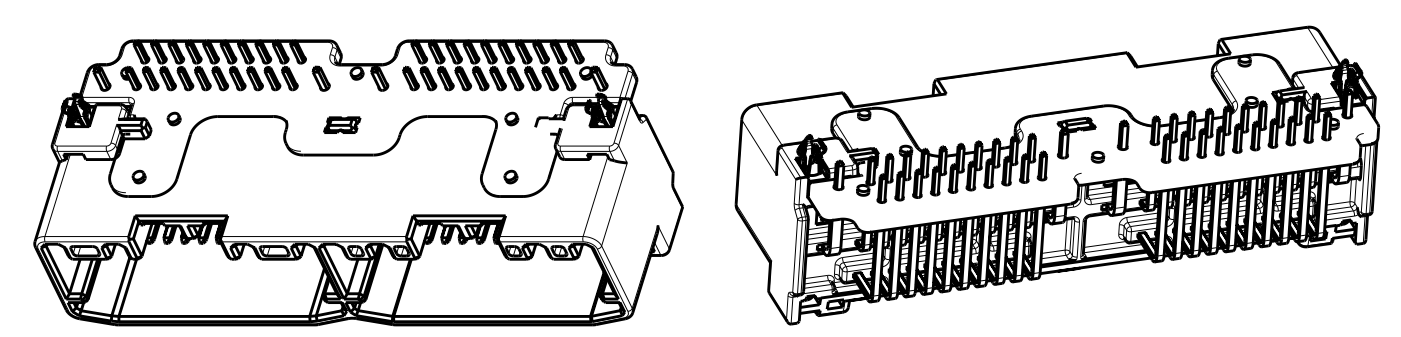
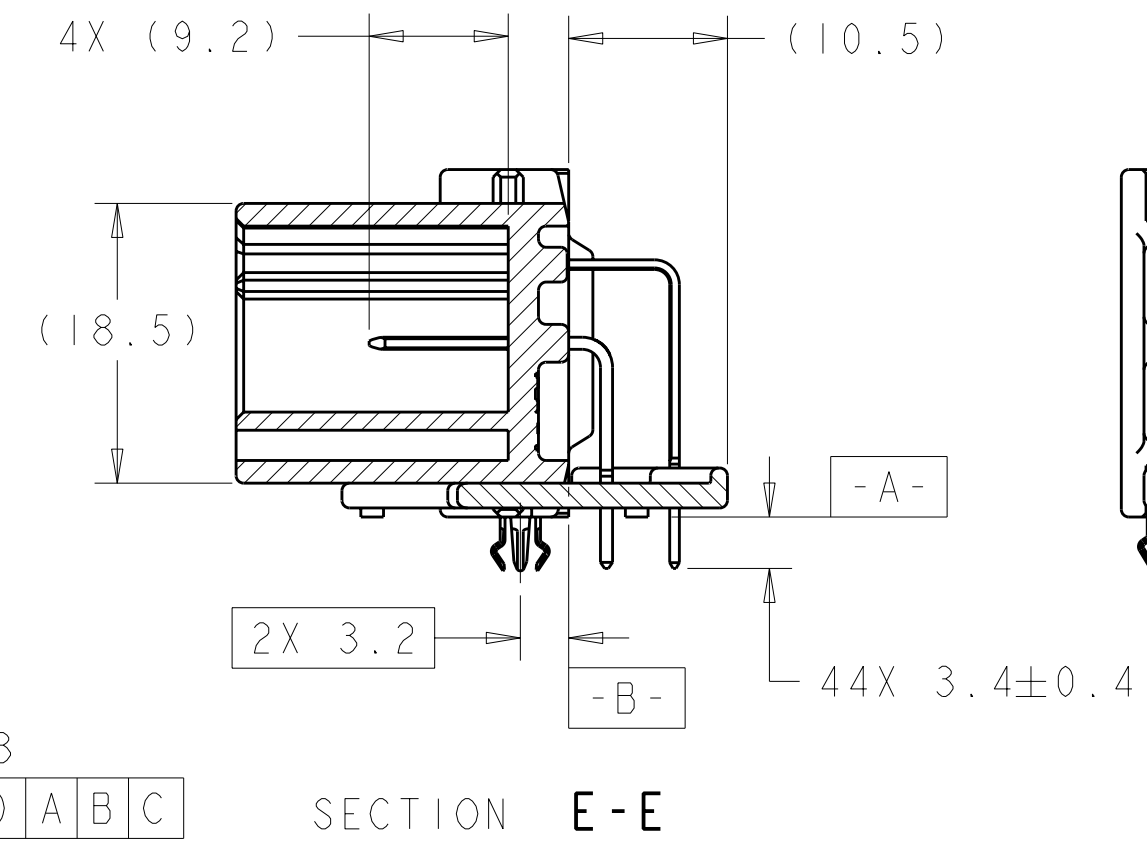
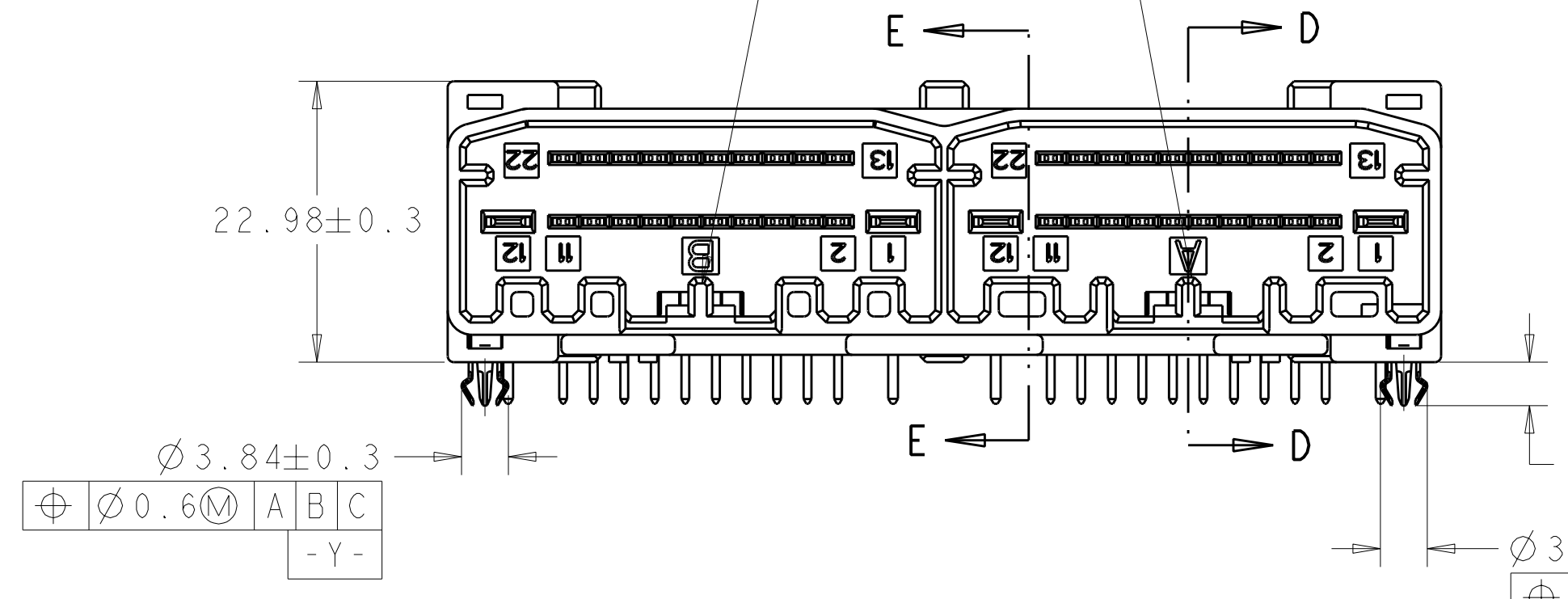
LOC	DIST	REV	DATE	BY	APP'D
IN	00	5	12FEB2009	MBH	BB
		A	01FEB2010	MBH	BB



RECOMMENDED PCB LAYOUT  
 CONNECTOR SIDE  
 (RECOMMENDED BOARD THICKNESS 1.57mm)



MATES WITH TYCO ELECTRONICS PART# 1438759-1 (WHITE)  
 MATES WITH TYCO ELECTRONICS PART# 1438761-6 (GRAY)



NOTES:  
 MARK DATE CODE IN APPROXIMATE LOCATION.  
 STAND-OFF FEATURES

PCT	GRAY	BRASS	POST-TIN	BRASS	POST-TIN	PCT	GRAY	9-1924089-6
MATERIAL	FINISH	MATERIAL	FINISH	MATERIAL	FINISH	MATERIAL	COLOR	PART NO
TINE PLATE		BOARDLOCK		CONTACT		HOUSING		
DIMENSIONS:		TOLERANCES UNLESS OTHERWISE SPECIFIED:		DWN M. HITCHCOCK 07JAN2008		Tyco Electronics		
mm		9 PLC ±0.0		CHK B. BUCHTER 07JAN2008		Harrisburg, PA 17105-3608		
Ø		1 PLC ±0.3		APVD B. BUCHTER 07JAN2008		NAME		
FINISH		2 PLC ±0.1		PRODUCT SPEC		44P CAP ASSEMBLY 040/2.8 HYBRID		
MATERIAL		3 PLC ±0.0		APPLICATION SPEC		PINS SAME SIDE OF CONNECTOR LATCH		
FINISH		4 PLC ±0.0		TBD		SIZE		
MATERIAL		ANGLES ±0.0		WEIGHT		CAGE CODE		
FINISH		±0.2		TBD		00779		
MATERIAL		±0.2		CUSTOMER DRAWING		SCALE		
FINISH		±0.2		SCALE 2:1		SHEET 1 OF 1		

# Mouser Electronics

Authorized Distributor

Click to View Pricing, Inventory, Delivery & Lifecycle Information:

[TE Connectivity:](#)

[9-1924089-6](#)