

4

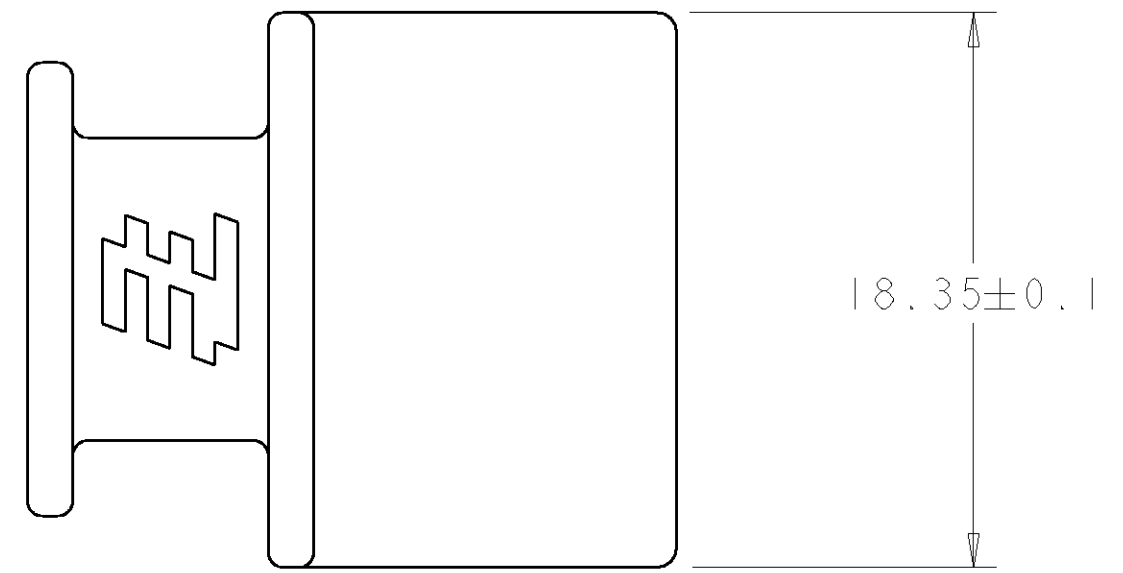
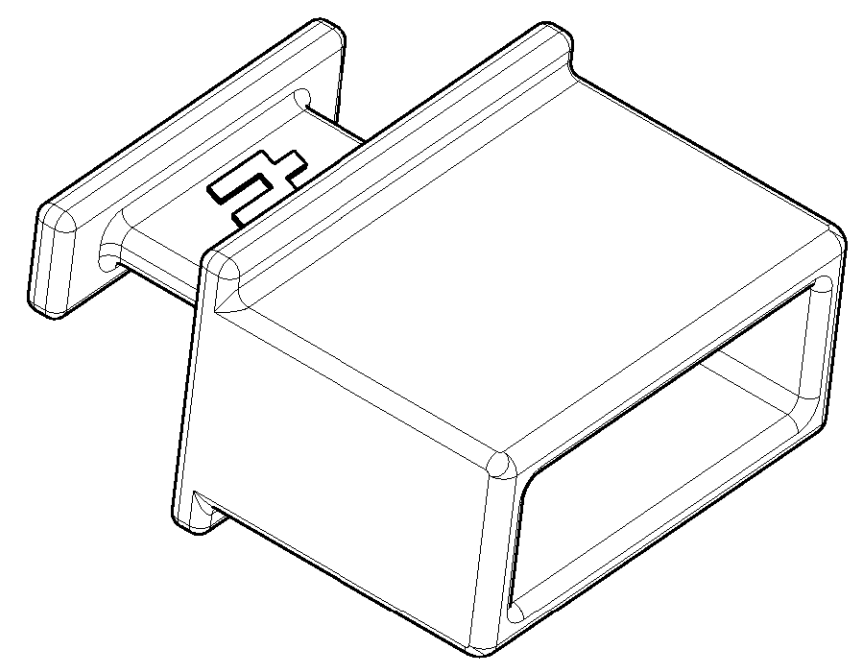
3

2

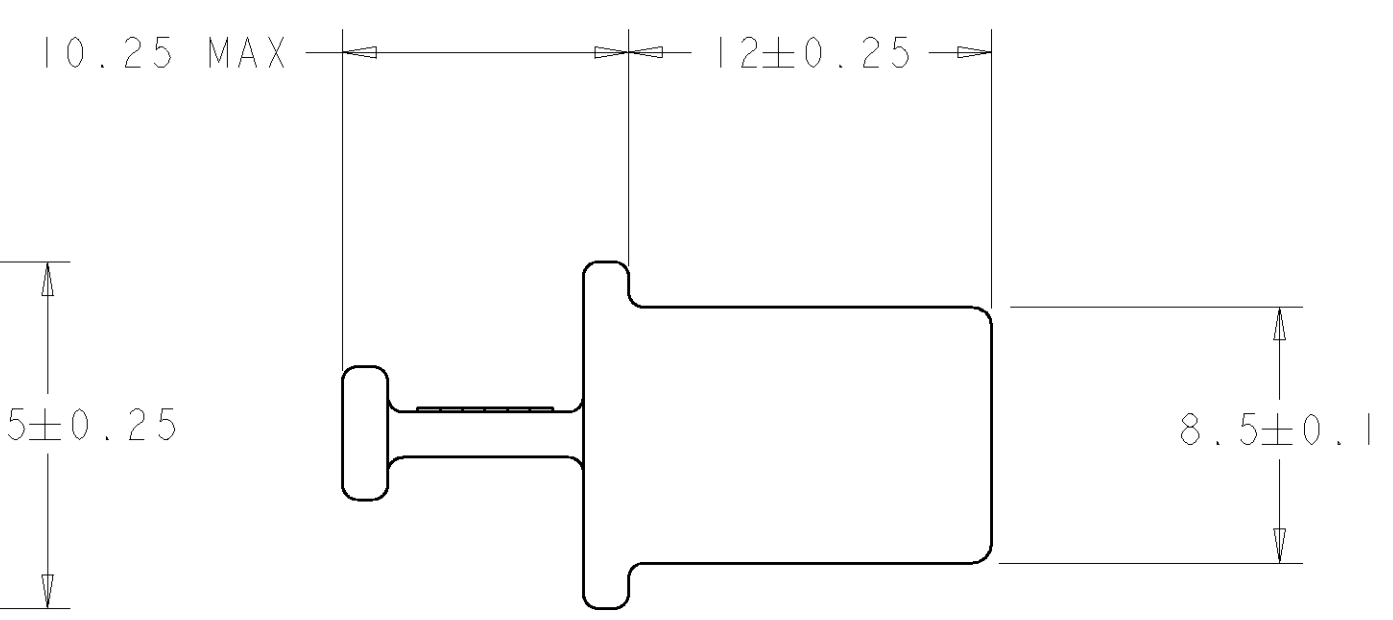
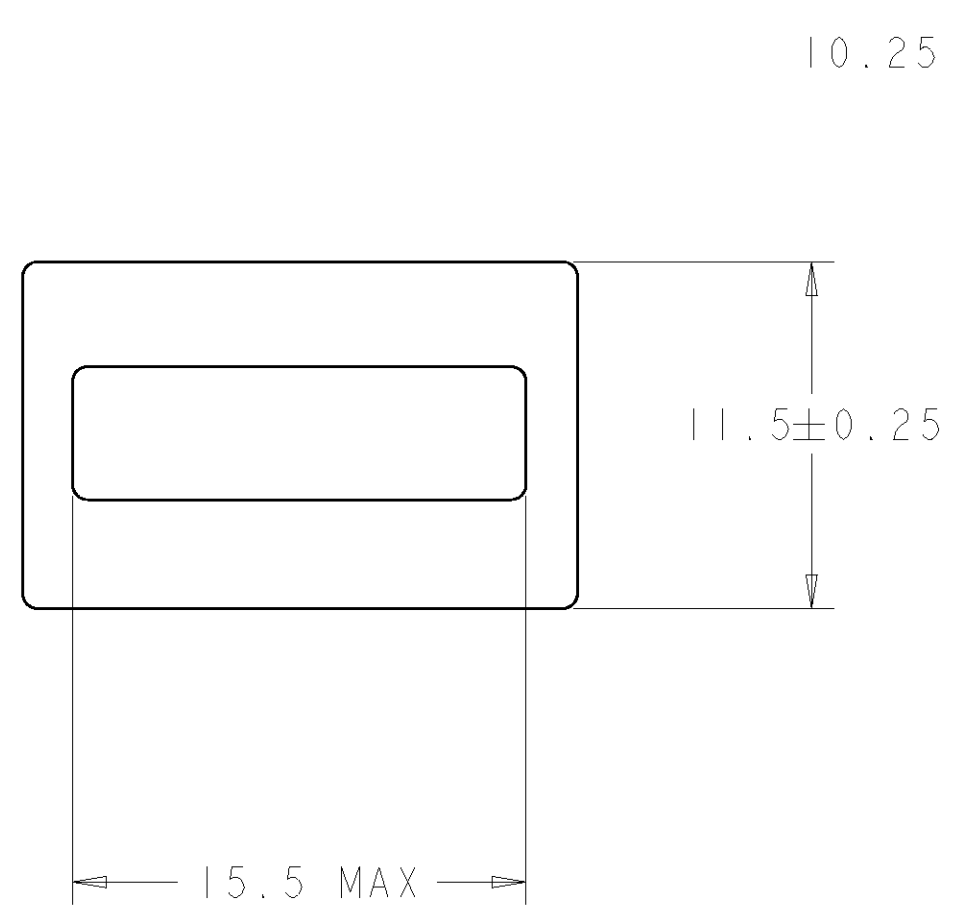
1

THIS DRAWING IS UNPUBLISHED. RELEASED FOR PUBLICATION 2007
 © COPYRIGHT BY ALL RIGHTS RESERVED.

LOC	DIST	REVISIONS			
P	LTR	DESCRIPTION	DATE	DWN	APVD
GP	00	A1 REVISED PER ECO-11-005027	29APR11	RK	HMR



1 MATERIAL: ZINC ALLOY.
 2 FINISH: 1.27µm MIN NICKEL OVER 5.08µm MIN COPPER.



1888810-2
 PART NUMBER

DIMENSIONS: mm 		TOLERANCES UNLESS OTHERWISE SPECIFIED: 0 PLC ± 1 PLC ±0.5 2 PLC ±0.13 3 PLC ±0.013 4 PLC ±0.0001 ANGLES ± FINISH		DWN 24 JAN 2007 CHK C. VALENTINE E. BRIGHT APVD E. BRIGHT PRODUCT SPEC - APPLICATION SPEC - WEIGHT -	NAME EMI/DUST COVER, XFP AND QSFP SIZE A2 CAGE CODE 00779 DRAWING NO. C-1888810 RESTRICTED TO - SCALE 4:1 SHEET OF REV A1
MATERIAL 1		FINISH 2		CUSTOMER DRAWING	



Mouser Electronics

Authorized Distributor

Click to View Pricing, Inventory, Delivery & Lifecycle Information:

[TE Connectivity:](#)

[1888810-2](#)