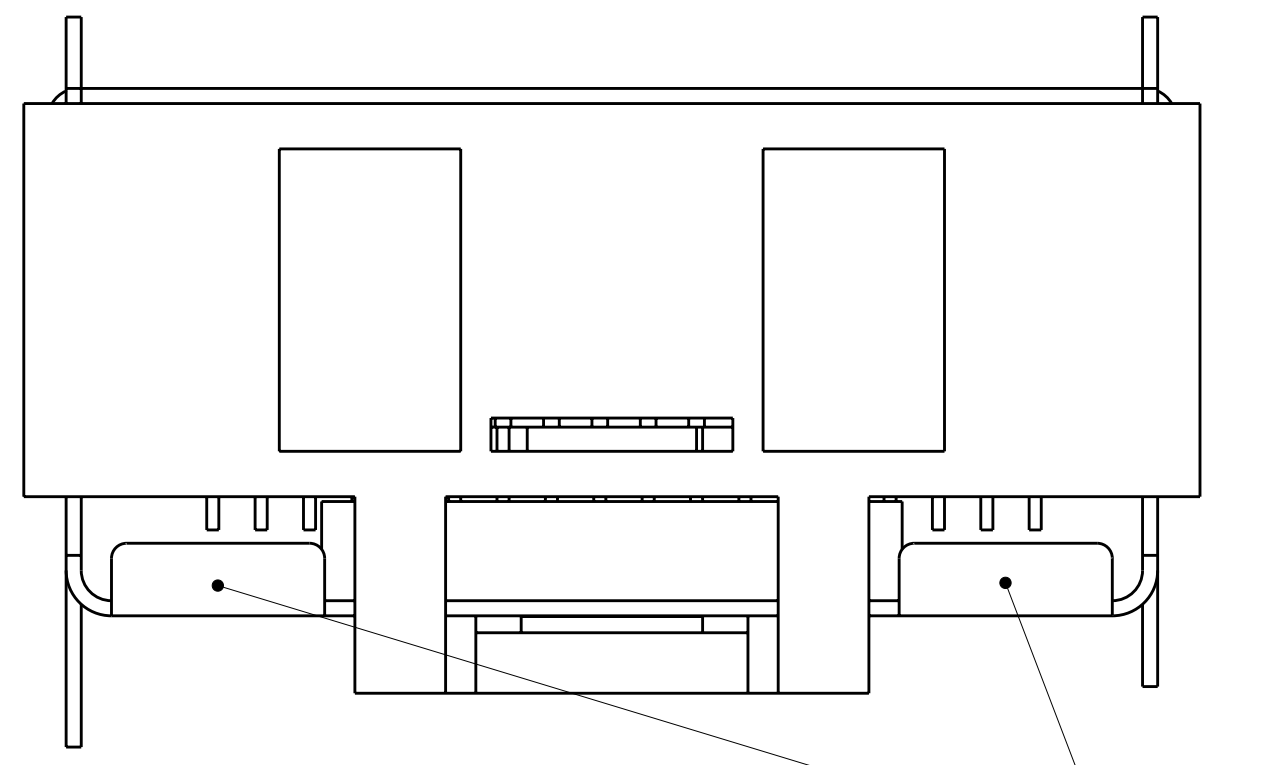
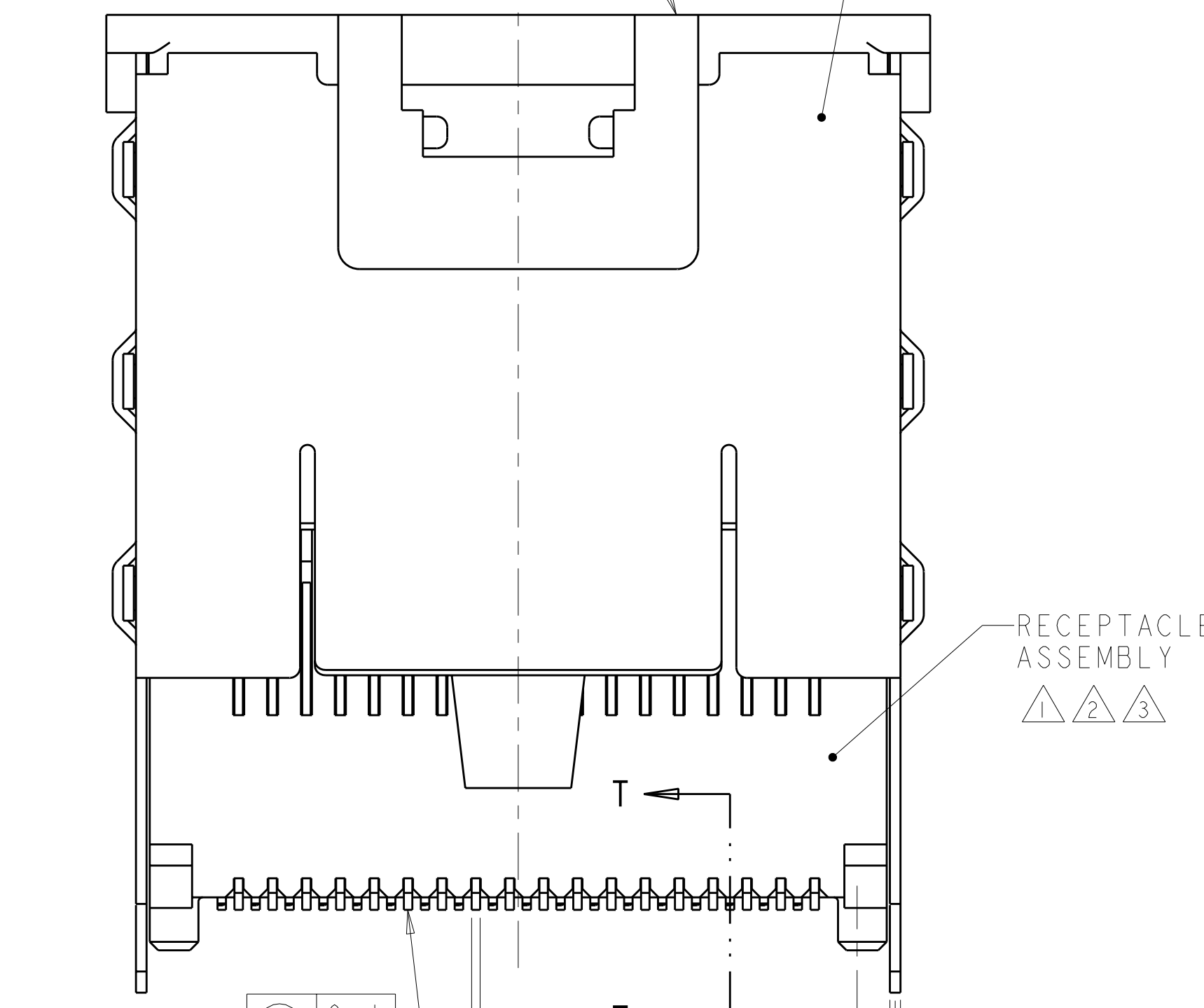


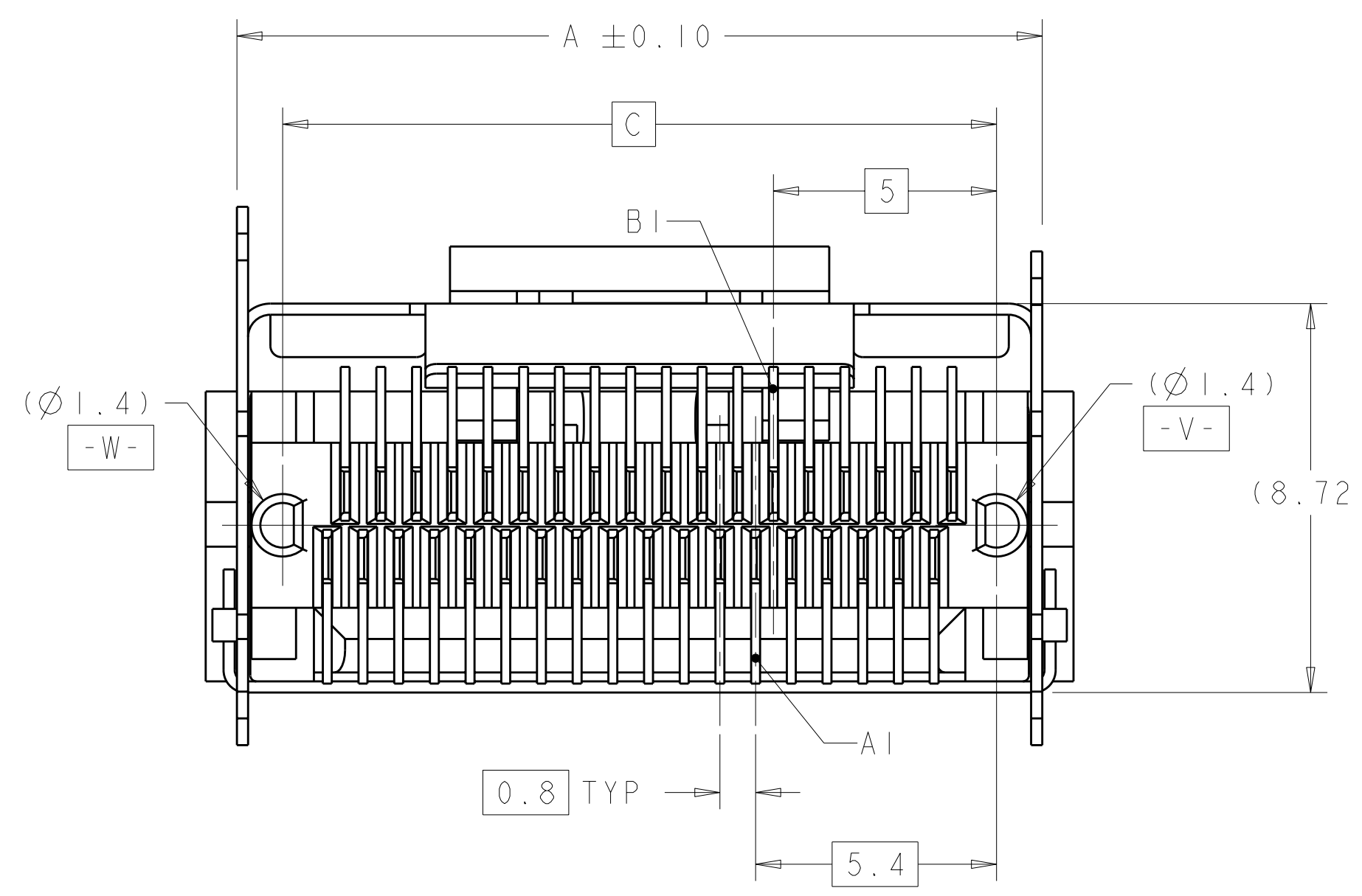
LOC		DIST		REVISIONS			
GP	00	P	LTR	DESCRIPTION	DATE	DWN	APVD
		A		RELEASED PER ECO-08-011133	14MAY2008	ZMR	DLG



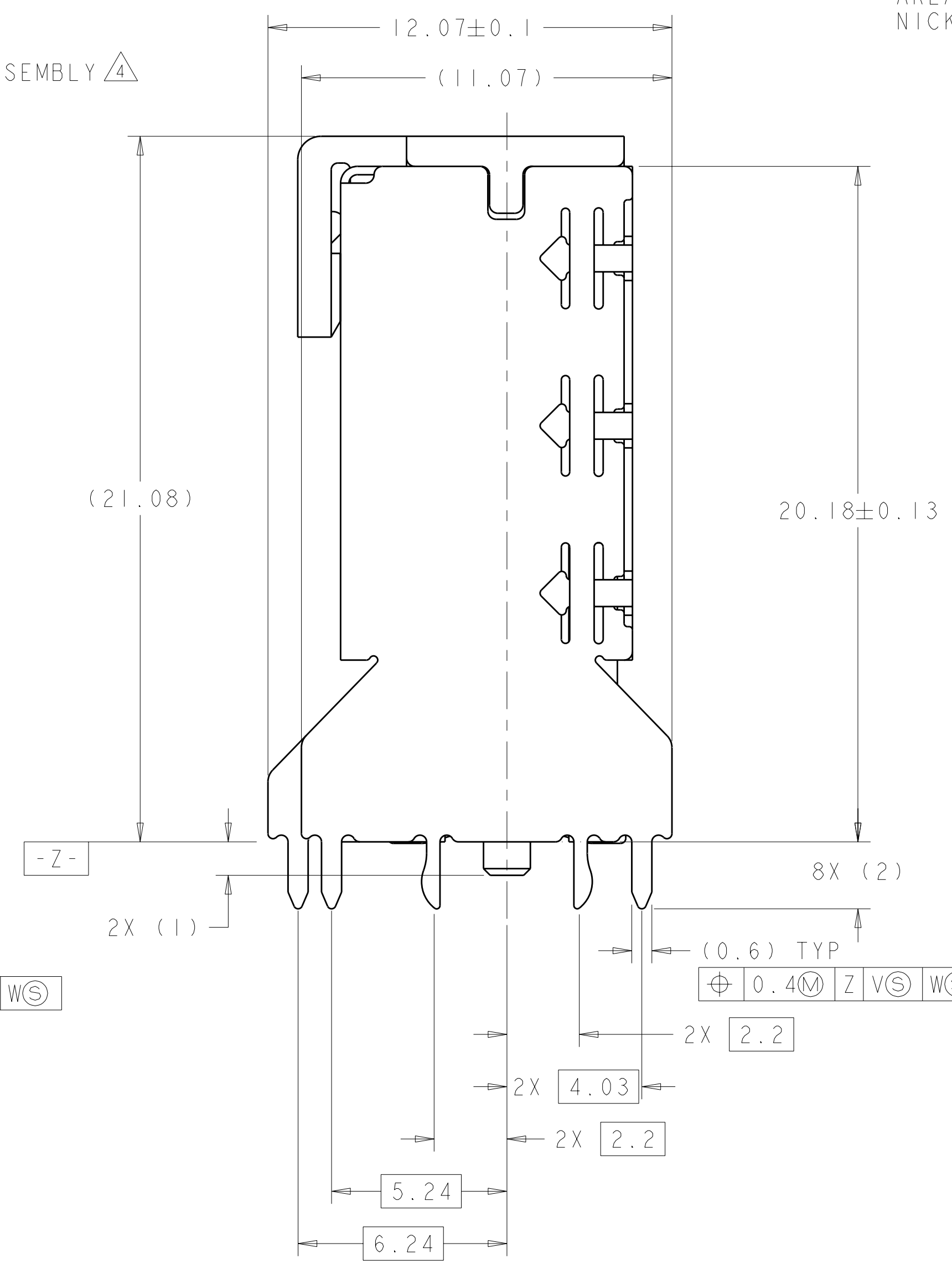
KEYING
 PICK AND PLACE DEVICE
 VERTICAL SHIELD ASSEMBLY



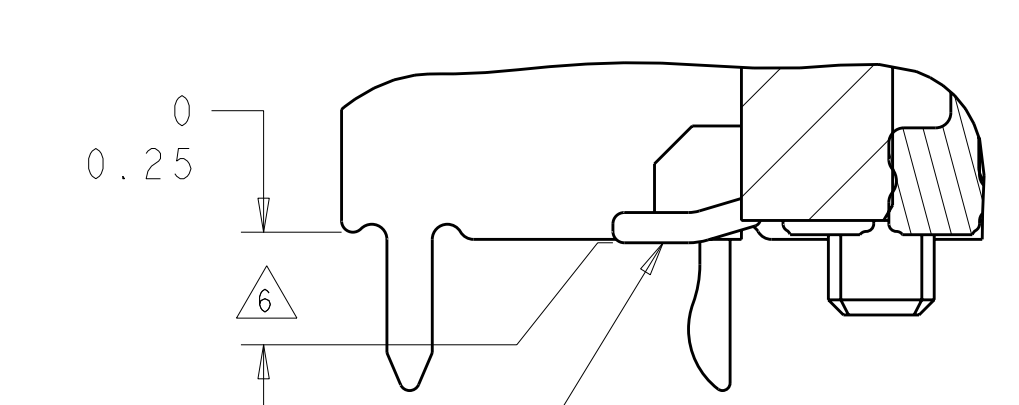
RECEPTACLE ASSEMBLY
 ALL CONTACT SOLDER TAIL SURFACES
 (0.1)
 (0.2)
 (0.25) TYP
 (0.4) TYP
 (0.9) TYP
 B PLC
 Z V S W S



(1.4) -W-
 (1.4) -V-
 (8.72)
 0.8 TYP
 5.4
 A1

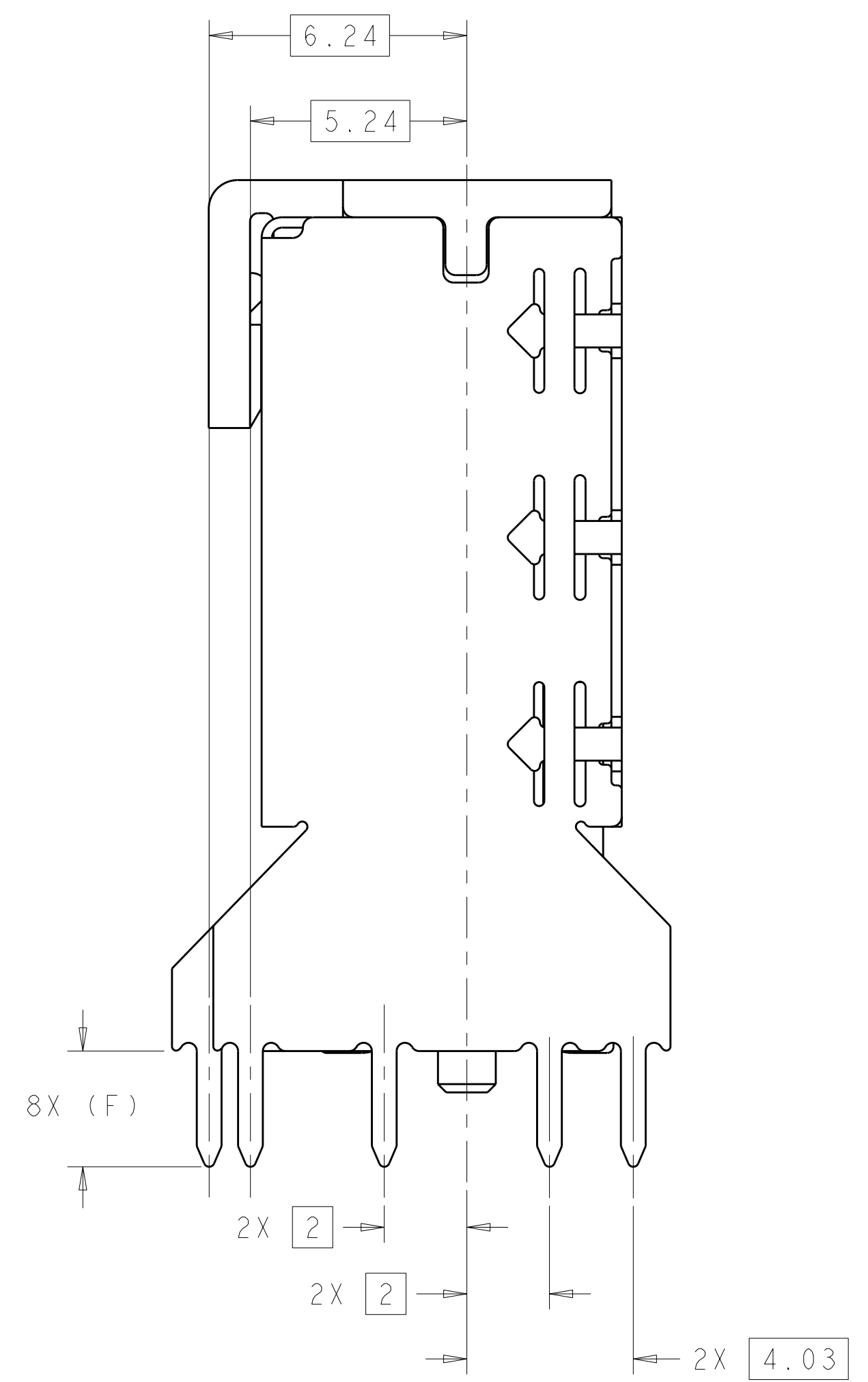


12.07±0.1
 (11.07)
 (21.08)
 20.18±0.13
 8X (2)
 2X (1)
 (0.6) TYP
 (0.4) TYP
 2X 2.2
 2X 4.03
 2X 2.2
 5.24
 6.24
 1888174-2 AS SHOWN



VERTICAL CONTACT
 SECTION T-T
 SCALE 10:1

- 1 MATERIAL: LCP, BLACK.
- 2 MATERIAL: PHOSPHOR BRONZE PER ASTM B 103.
- 3 FINISH: 0.76µm MIN GOLD PLATE PER ASTM B 488, APPLIES TO INTERFACE AREA AND 2.03µm MIN TIN PLATE SOLDER TAILS, ALL OVER 3.81µm MIN NICKEL PLATE PER QQ-N-290.
- 4 MATERIAL: NICKEL-SILVER PER ASTM B 122.
- 5 DATUM AND BASIC DIMENSION ESTABLISHED BY CUSTOMER.
- 6 CONTACT TAILS TO BE 0.25 MAX BELOW OR FLUSH WITH DATUM Z.
- 7 REFER TO CUSTOMER DRAWING 1888020 FOR CONNECTOR DETAILS.
- 8 FINISH: 0.38µm MIN GOLD PLATE PER ASTM B 488, APPLIES TO INTERFACE AREA AND 2.03µm MIN TIN PLATE SOLDER TAILS, ALL OVER 3.81µm MIN NICKEL PLATE PER QQ-N-290.



6.24
 5.24
 8X (F)
 2X 2
 2X 2
 2X 4.03
 1888174-4 AND 1888174-6 AS SHOWN

FINISH	SHIELD TYPE	N	F	E	D	C	B	A	POSN	PART NUMBER
8	THRU-HOLE	36	3.5	17.8	16	16	36	18.05	36	1888174-9
	THRU-HOLE	36	2.8	17.8	16	16	36	18.05	36	1888174-8
3	PRESS-FIT	36	-	17.8	16	16	36	18.05	36	1888174-7
	THRU-HOLE	36	3.5	17.8	16	16	36	18.05	36	1888174-6
3	THRU-HOLE	36	2.8	17.8	16	16	36	18.05	36	1888174-4
	PRESS-FIT	36	-	17.8	16	16	36	18.05	36	1888174-2

THIS DRAWING IS UNPUBLISHED. RELEASED FOR PUBLICATION BY TYCO ELECTRONICS CORPORATION, ALL RIGHTS RESERVED.

TYCO ELECTRONICS CORPORATION
 HARRISBURG, PA 17105-3608

DATE: 200CT05
 CHK: R.R.HENRY
 APVD: R.R.HENRY

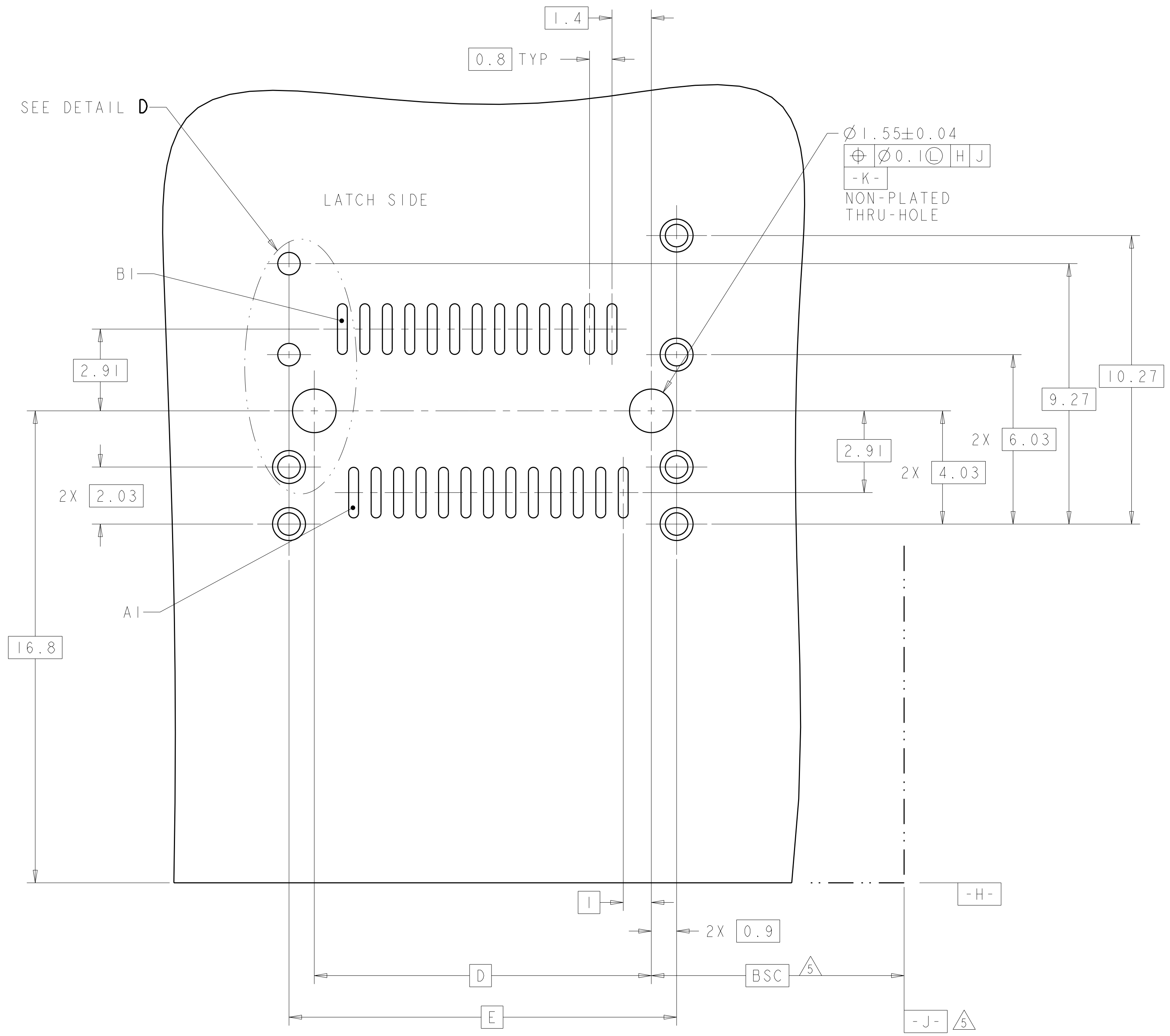
NAME: EVERCLEAR Mini-SAS VERTICAL INTERNAL RECEPTACLE ASSY WITH DUAL KEYED SHELL

PRODUCT SPEC: 108-2234
 APPLICATION SPEC:

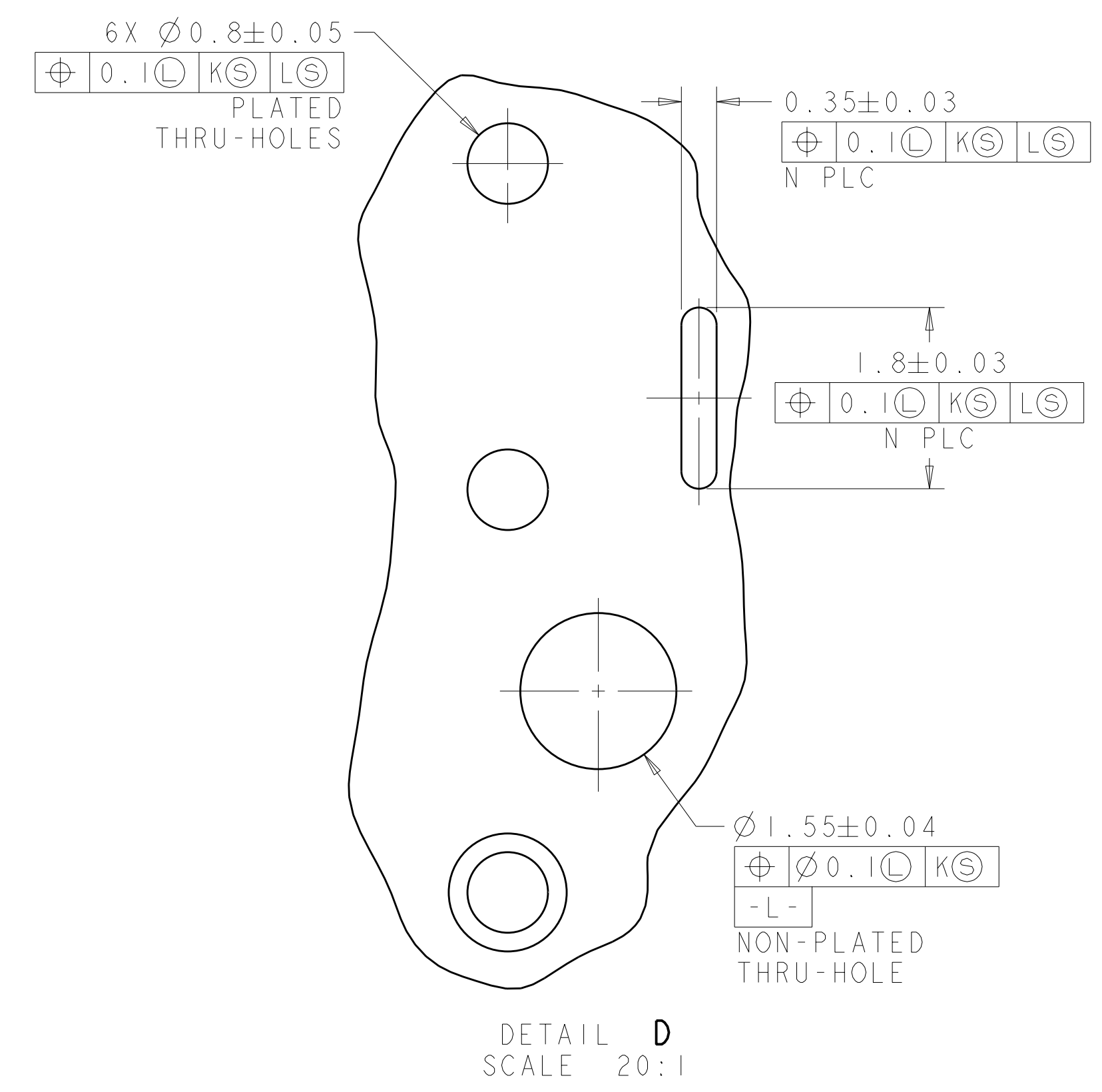
SIZE: A1100779
 CAGE CODE: C=1888174
 DRAWING NO: 108-2234

SCALE: 8:1
 SHEET: 1 OF 2
 REV: A

LOC	DIST	REV	DATE	BY	APPD
GP	00				
		DESCRIPTION	DATE	BY	APPD
		SEE SHEET 1			



RECOMMENDED PCB LAYOUT
 SCALE 10:1



<small>THIS DRAWING IS UNPUBLISHED. RELEASED FOR PUBLICATION. 20 © COPYRIGHT 20 BY TYCO ELECTRONICS CORPORATION. ALL RIGHTS RESERVED.</small>		DWN M. E. SHIRK 200CT05 CHK R. R. HENRY 200CT05 APVD R. R. HENRY 200CT05	Tyco Electronics Harrisburg, PA 17105-3608
DIMENSIONS: mm 		TOLERANCES UNLESS OTHERWISE SPECIFIED: 9 PLC ± 8 PLC ± 5 PLC ± 4 PLC ± ANGLES ± FINISH ±	NAME EVERCLEAR Mini-SAS VERTICAL INTERNAL RECEPTACLE ASSY WITH DUAL KEYED SHELL SIZE CAGE CODE DRAWING NO RESTRICTED TO A 100779 C-1888174
MATERIAL - FINISH -		WEIGHT - CUSTOMER DRAWING	SCALE 8:1 SHEET 2 OF 2 REV A

Mouser Electronics

Authorized Distributor

Click to View Pricing, Inventory, Delivery & Lifecycle Information:

[TE Connectivity:](#)

[1888174-6](#)