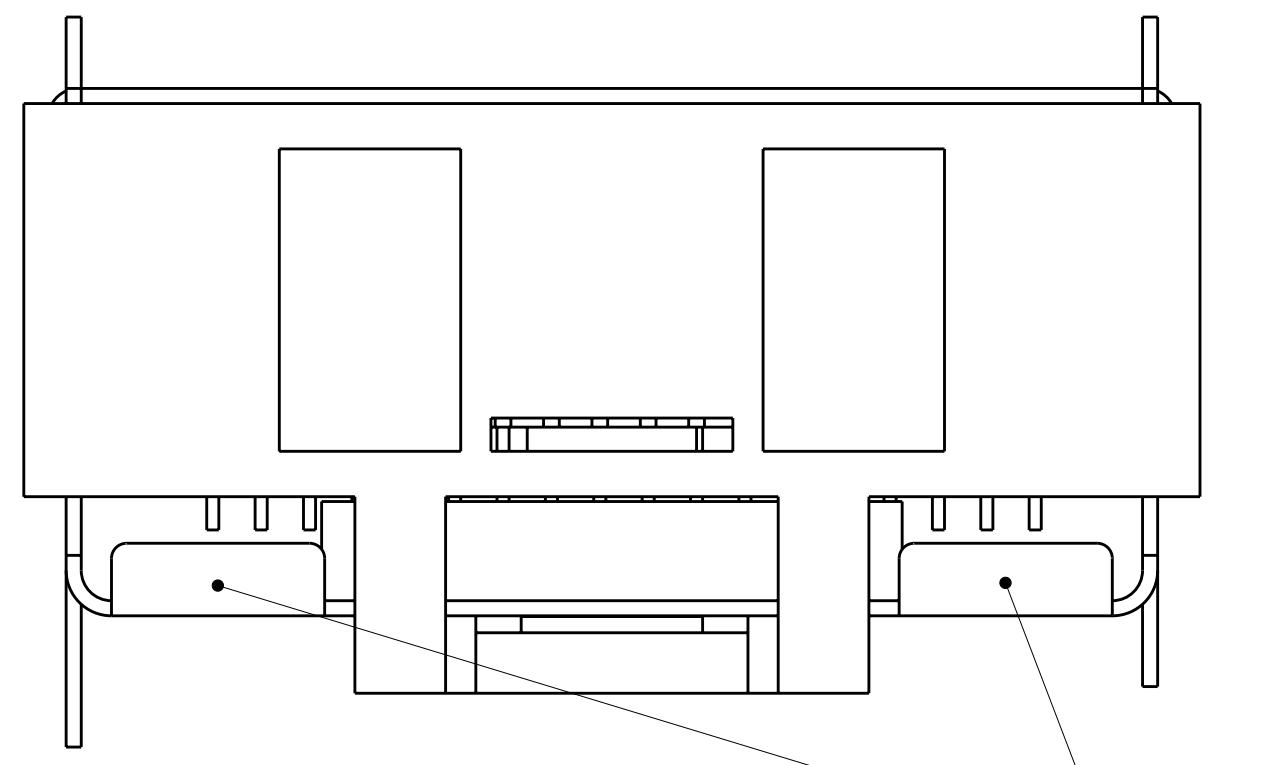
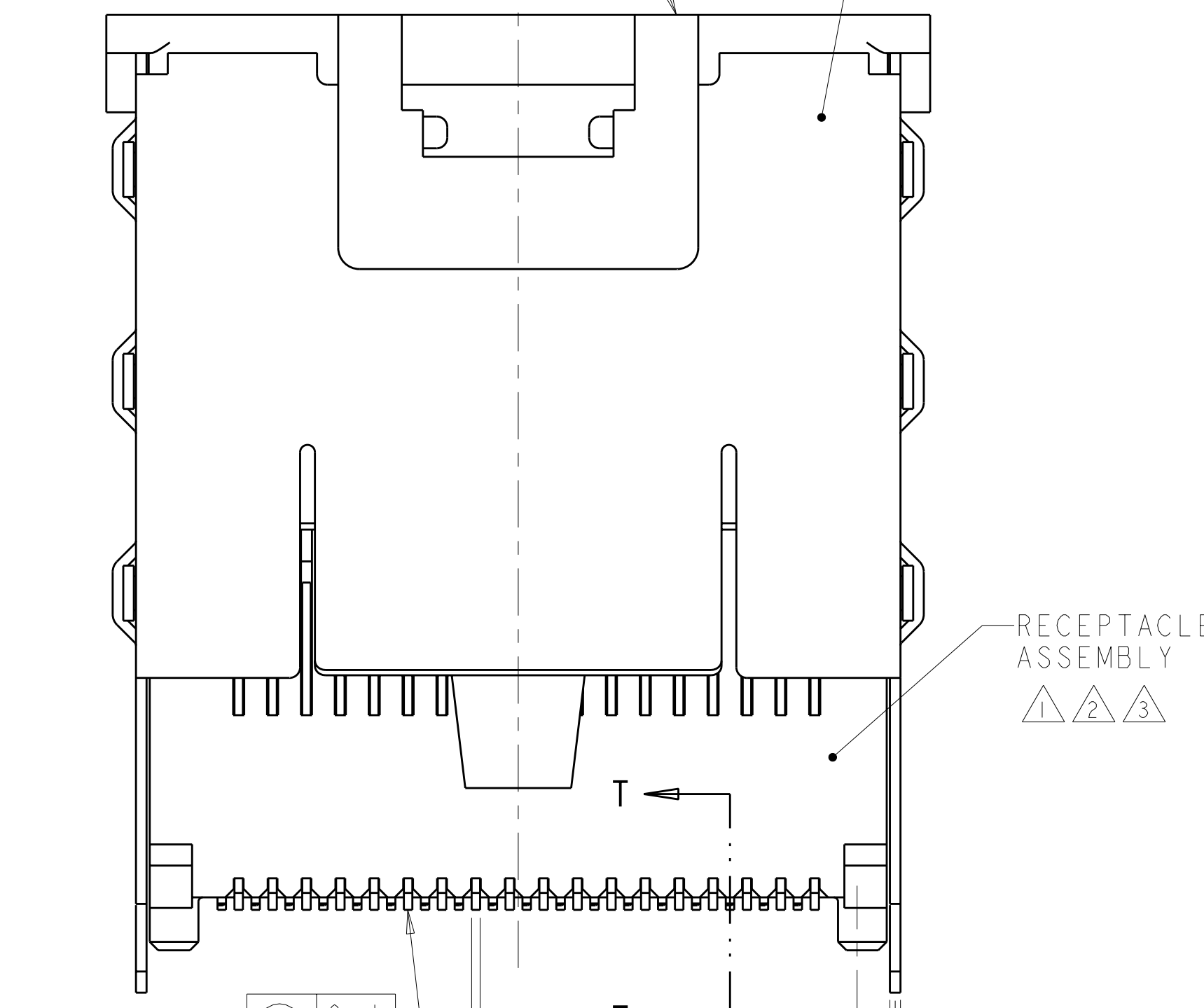


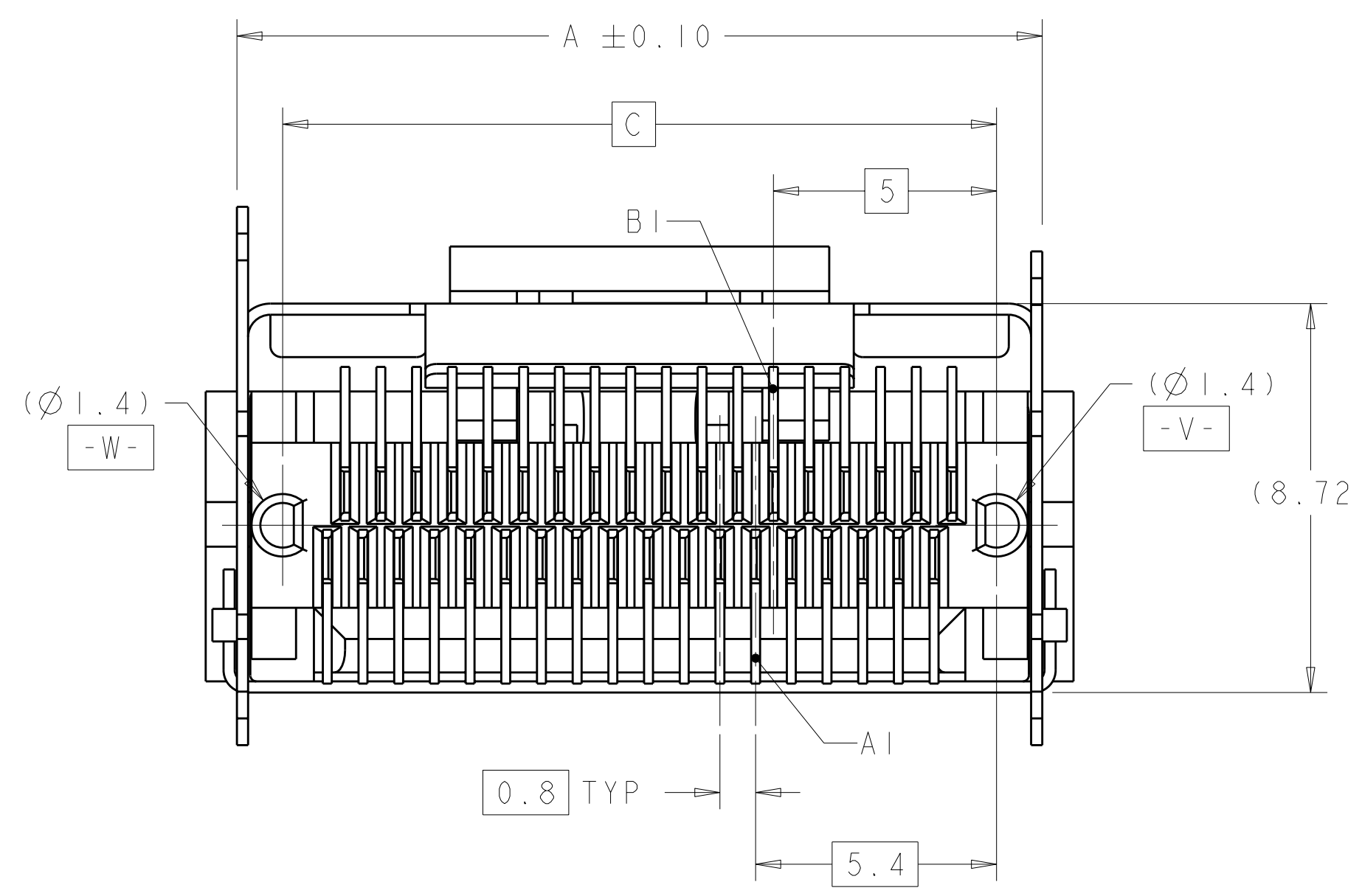
LOC	DIST	REV	DATE	BY	APPD
GP	00	A	14MAY2008	ZMR	DLG



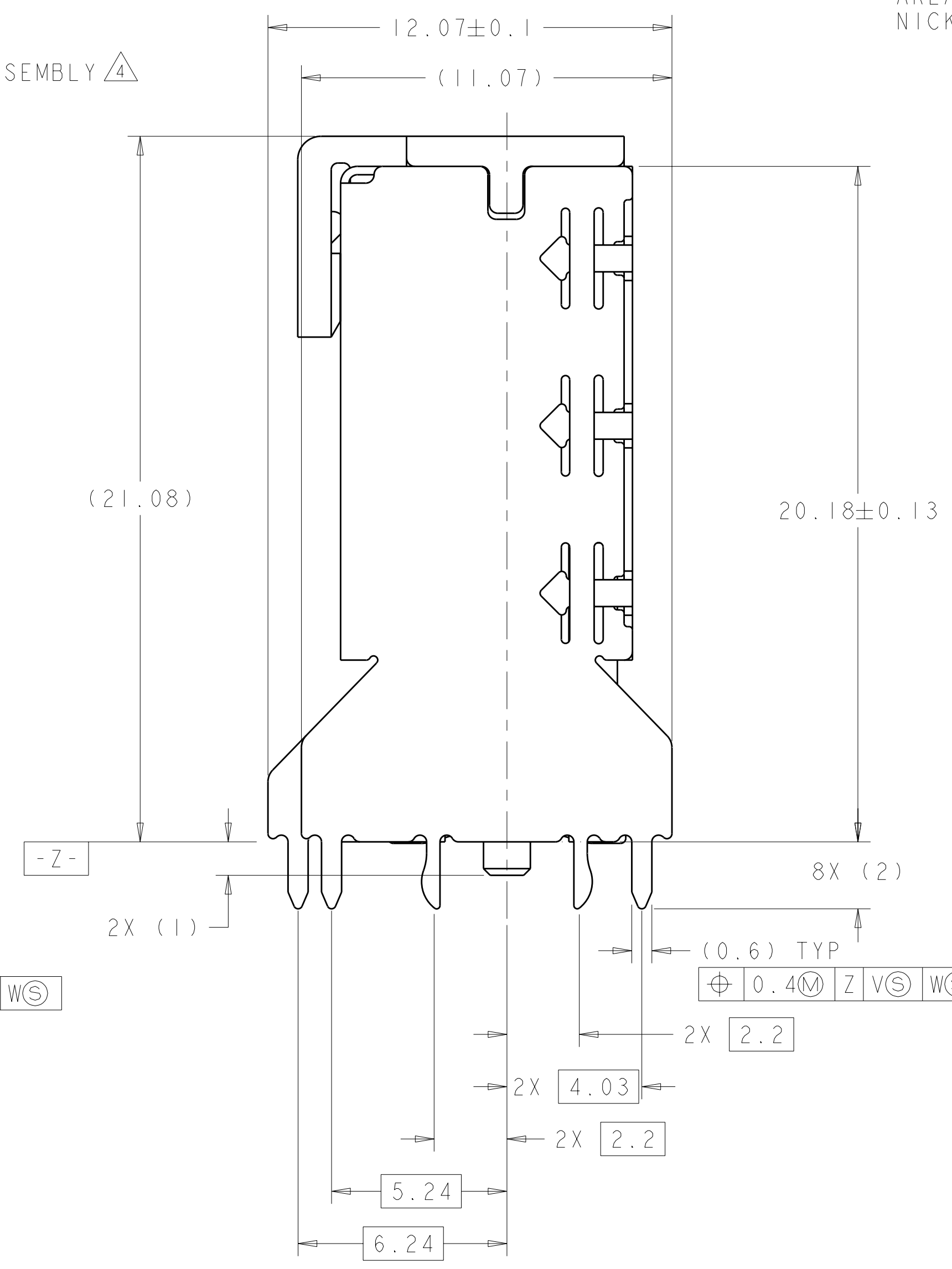
KEYING
 PICK AND PLACE DEVICE
 VERTICAL SHIELD ASSEMBLY



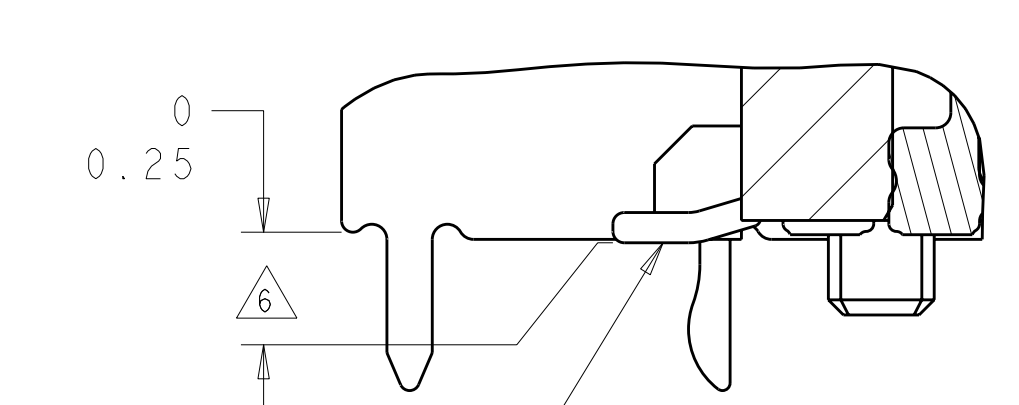
RECEPTACLE ASSEMBLY
 ALL CONTACT SOLDER TAIL SURFACES
 (0.1) ALL CONTACT SOLDER TAIL SURFACES
 (0.2) B PLC
 (0.25) TYP
 (0.4) Z V S W S
 (0.9) TYP



(1.4) -W- (1.4) -V- (8.72)
 0.8 TYP
 5.4

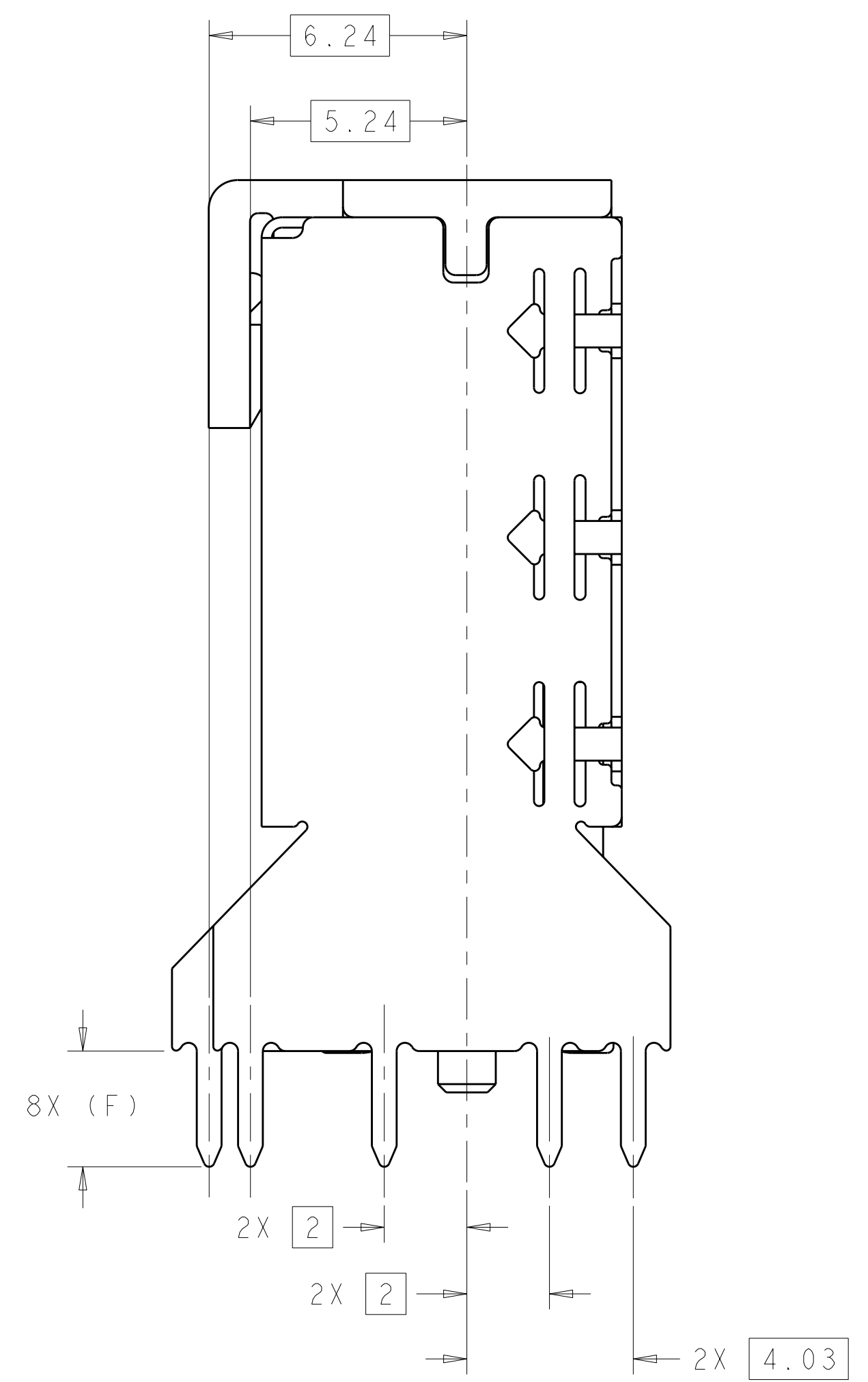


12.07±0.1 (11.07)
 (21.08) 20.18±0.13
 8X (2) 2X (1)
 (0.6) TYP
 (0.4) Z V S W S
 2X 2.2
 2X 4.03
 2X 2.2
 5.24 6.24
 1888174-2 AS SHOWN



VERTICAL CONTACT
 SECTION T-T
 SCALE 10:1

- 1 MATERIAL: LCP, BLACK.
- 2 MATERIAL: PHOSPHOR BRONZE PER ASTM B 103.
- 3 FINISH: 0.76µm MIN GOLD PLATE PER ASTM B 488, APPLIES TO INTERFACE AREA AND 2.03µm MIN TIN PLATE SOLDER TAILS, ALL OVER 3.81µm MIN NICKEL PLATE PER QQ-N-290.
- 4 MATERIAL: NICKEL-SILVER PER ASTM B 122.
- 5 DATUM AND BASIC DIMENSION ESTABLISHED BY CUSTOMER.
- 6 CONTACT TAILS TO BE 0.25 MAX BELOW OR FLUSH WITH DATUM Z.
- 7 REFER TO CUSTOMER DRAWING 1888020 FOR CONNECTOR DETAILS.
- 8 FINISH: 0.38µm MIN GOLD PLATE PER ASTM B 488, APPLIES TO INTERFACE AREA AND 2.03µm MIN TIN PLATE SOLDER TAILS, ALL OVER 3.81µm MIN NICKEL PLATE PER QQ-N-290.



6.24 5.24
 8X (F) 2X 2 2X 2 2X 4.03
 1888174-4 AND 1888174-6 AS SHOWN

FINISH	SHIELD TYPE	N	F	E	D	C	B	A	POSN	PART NUMBER
8	THRU-HOLE	36	3.5	17.8	16	16	36	18.05	36	1888174-9
	THRU-HOLE	36	2.8	17.8	16	16	36	18.05	36	1888174-8
3	PRESS-FIT	36	-	17.8	16	16	36	18.05	36	1888174-7
	THRU-HOLE	36	3.5	17.8	16	16	36	18.05	36	1888174-6
3	THRU-HOLE	36	2.8	17.8	16	16	36	18.05	36	1888174-4
	PRESS-FIT	36	-	17.8	16	16	36	18.05	36	1888174-2

THIS DRAWING IS UNPUBLISHED. RELEASED FOR PUBLICATION BY TYCO ELECTRONICS CORPORATION, ALL RIGHTS RESERVED.

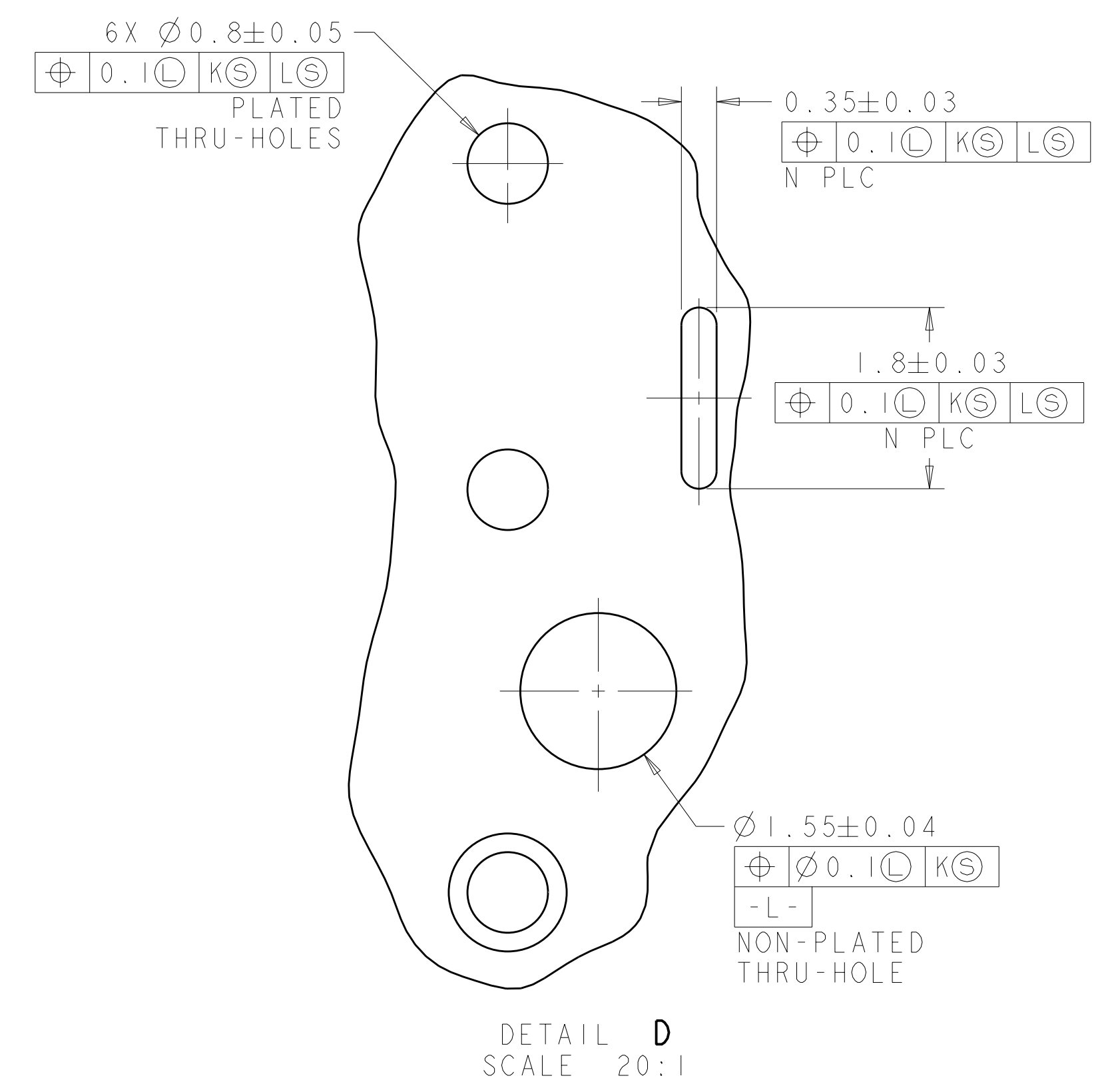
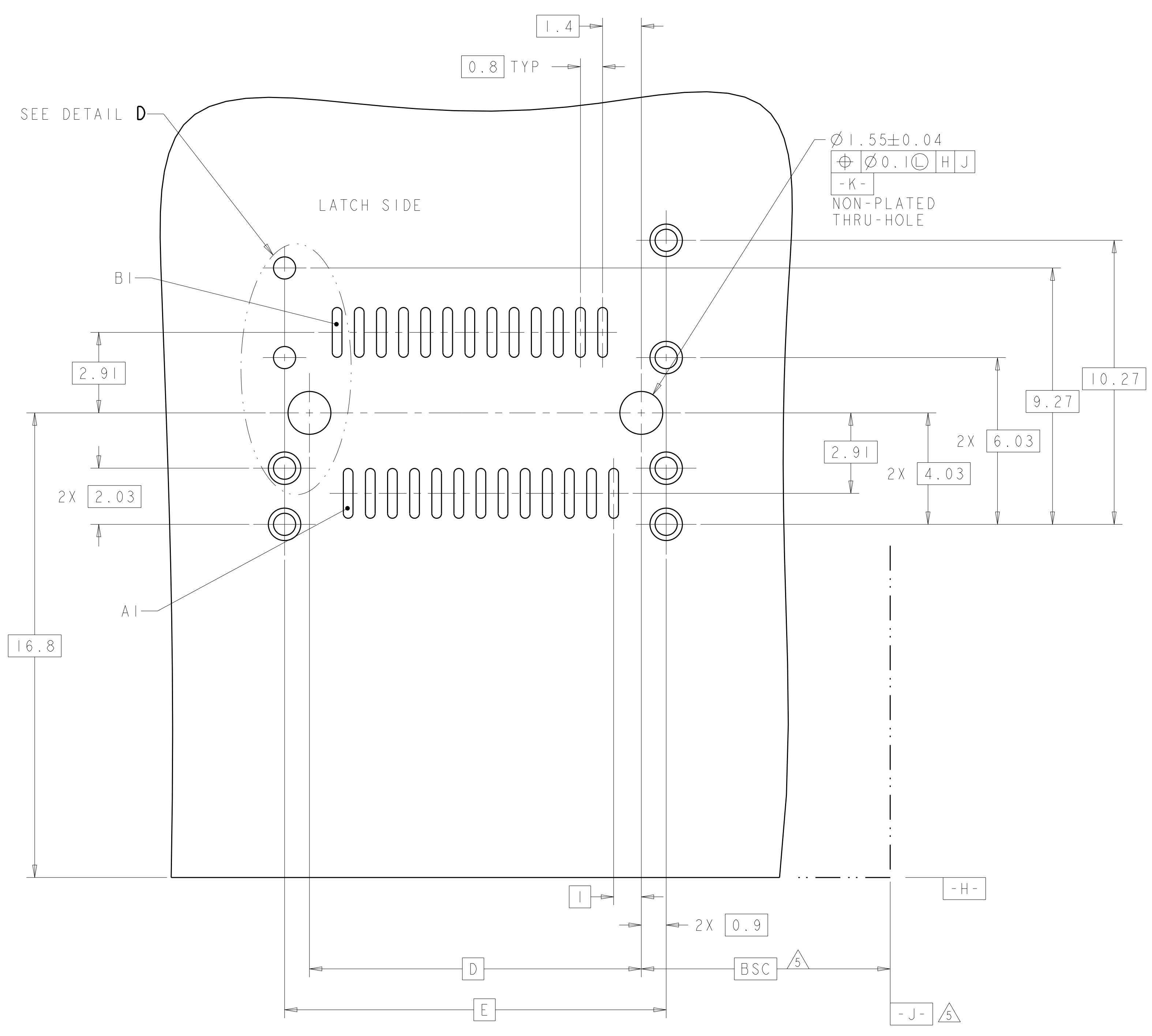
DATE: 200CT05
 CHK: R.R.HENRY
 APPD: R.R.HENRY
 PRODUCT SPEC: 108-2234
 APPLICATION SPEC: -
 WEIGHT: -
 CUSTOMER DRAWING

TYCO ELECTRONICS
 Harrisburg, PA 17105-3608

EVERCLEAR Mini-SAS
 VERTICAL INTERNAL RECEPTACLE ASSY
 WITH DUAL KEYED SHELL

SCALE: 8:1 SHEET 1 OF 2 REV A

LOC		DIST		REVISONS			
P	LTB	DESCRIPTION	DATE	DWN	APVD		
GP	00	SEE SHEET 1					



RECOMMENDED PCB LAYOUT
 SCALE 10:1

DIMENSIONS:		TOLERANCES UNLESS OTHERWISE SPECIFIED:		DWN		Tyco Electronics	
mm	0 PLC	±	200CT05	M. E. SHIRK	200CT05	Tyco Electronics Harrisburg, PA 17105-3608	
	1 PLC	±	200CT05	CHK R. R. HENRY	200CT05	NAME	
	2 PLC	±	200CT05	APVD R. R. HENRY	200CT05	EVERCLEAR Mini-SAS VERTICAL INTERNAL RECEPTACLE ASSY WITH DUAL KEYED SHELL	
	3 PLC	±	200CT05	PRODUCT SPEC		SIZE	CAGE CODE
	4 PLC	±	200CT05	APPLICATION SPEC		A1100779	C=1888174
MATERIAL	FINISH	±	200CT05	WEIGHT		SCALE	8:1
				CUSTOMER DRAWING		SHEET	2 OF 2
						REV	A

Mouser Electronics

Authorized Distributor

Click to View Pricing, Inventory, Delivery & Lifecycle Information:

[TE Connectivity:](#)

[1888174-4](#)