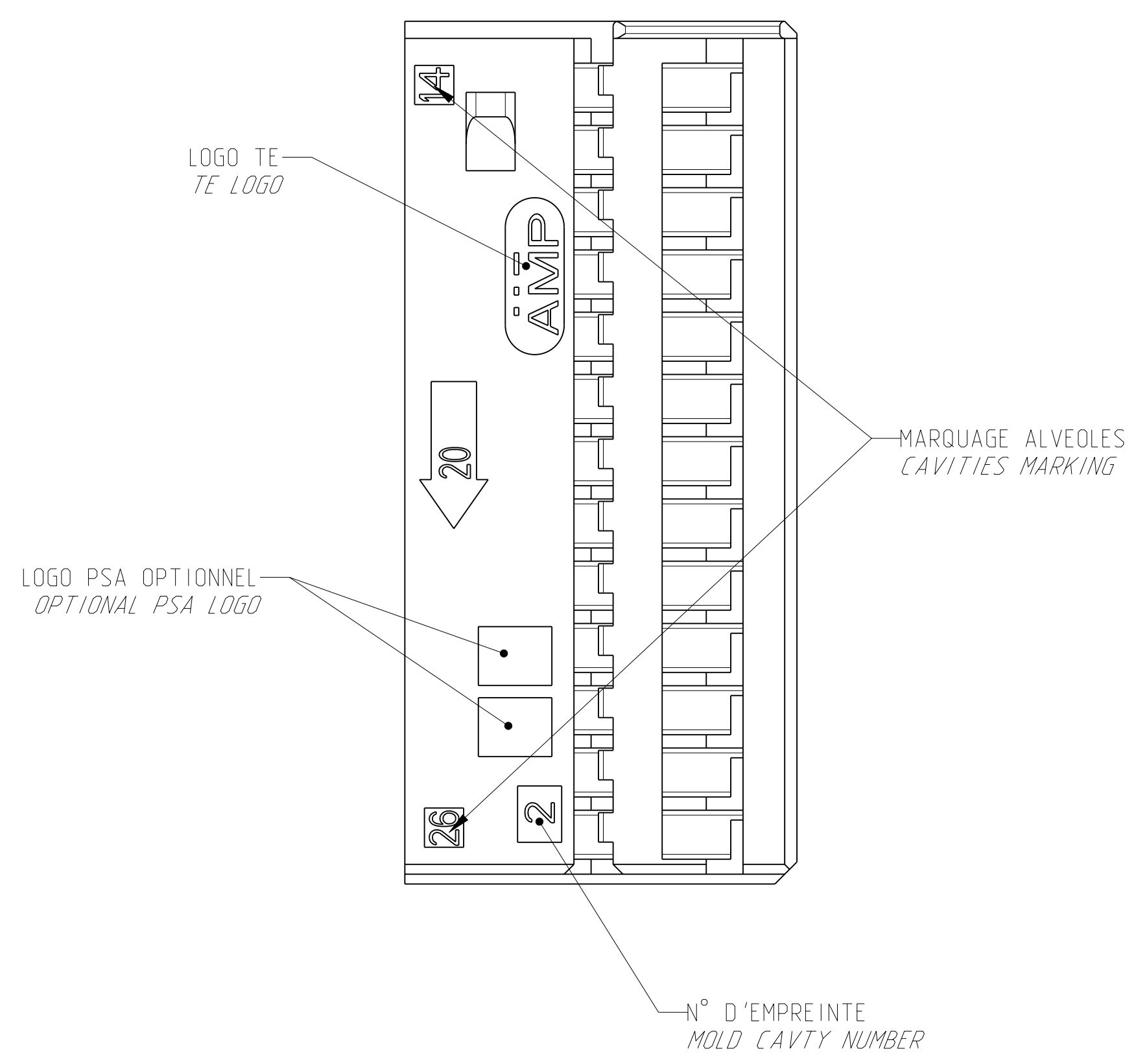
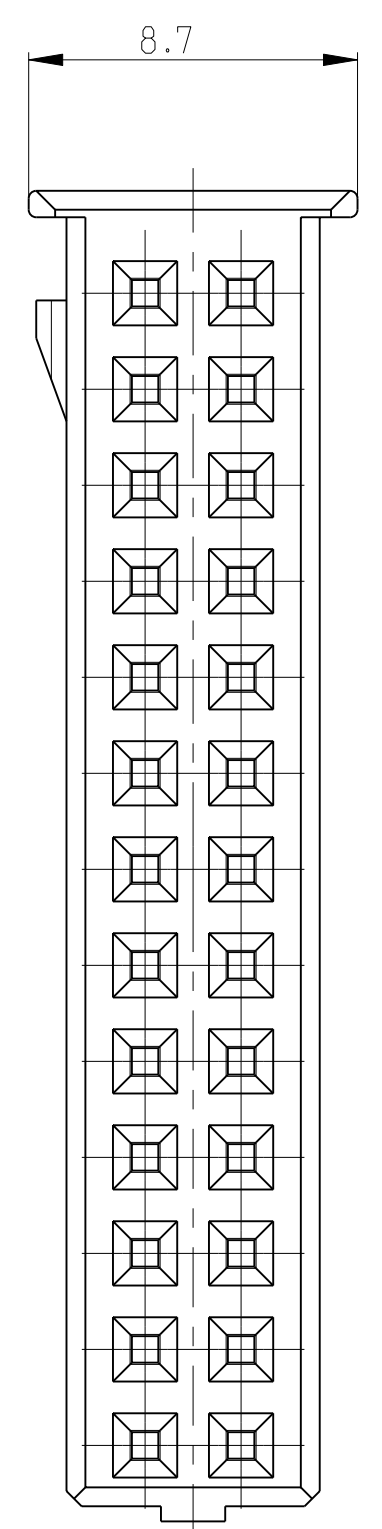
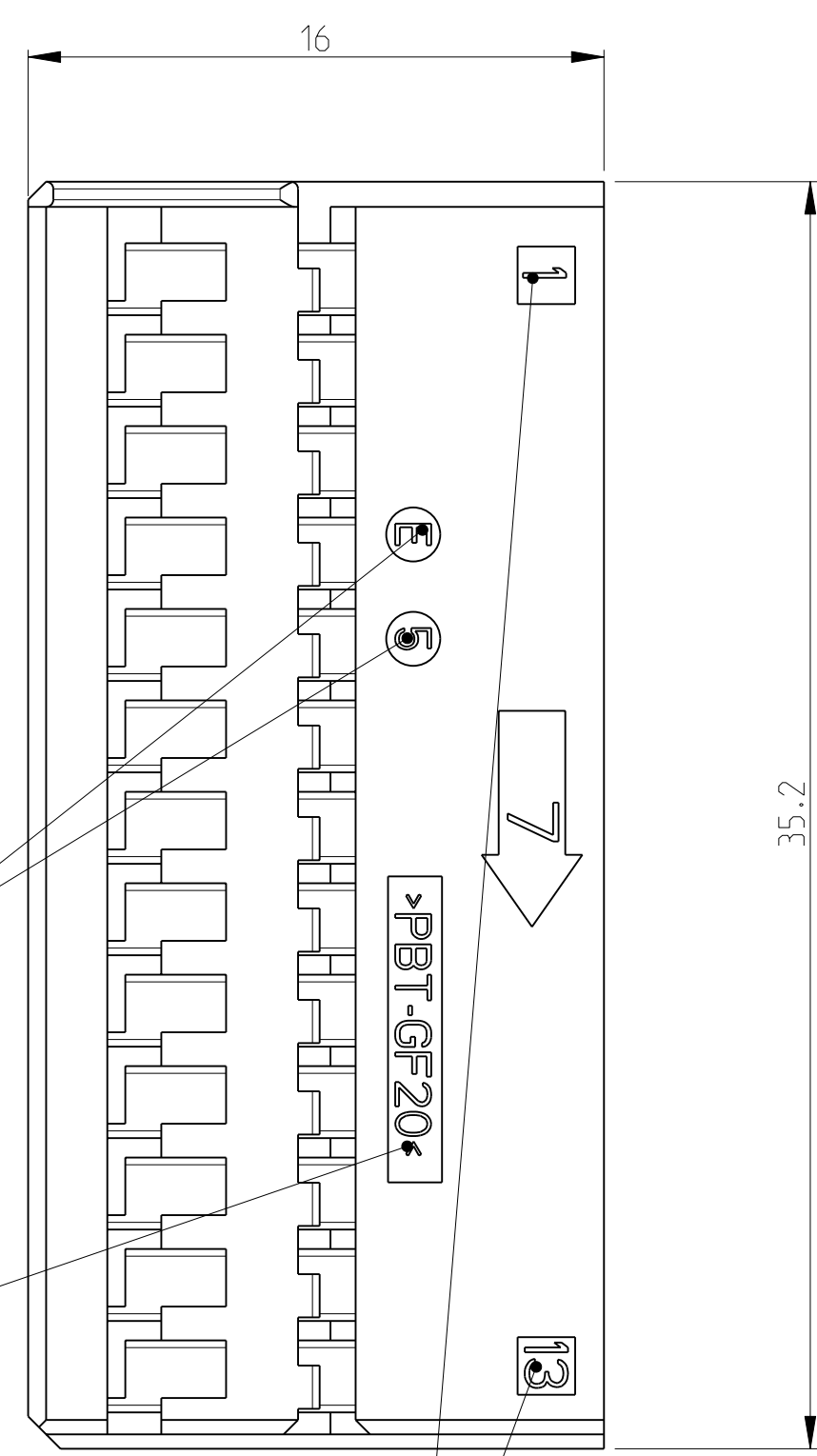
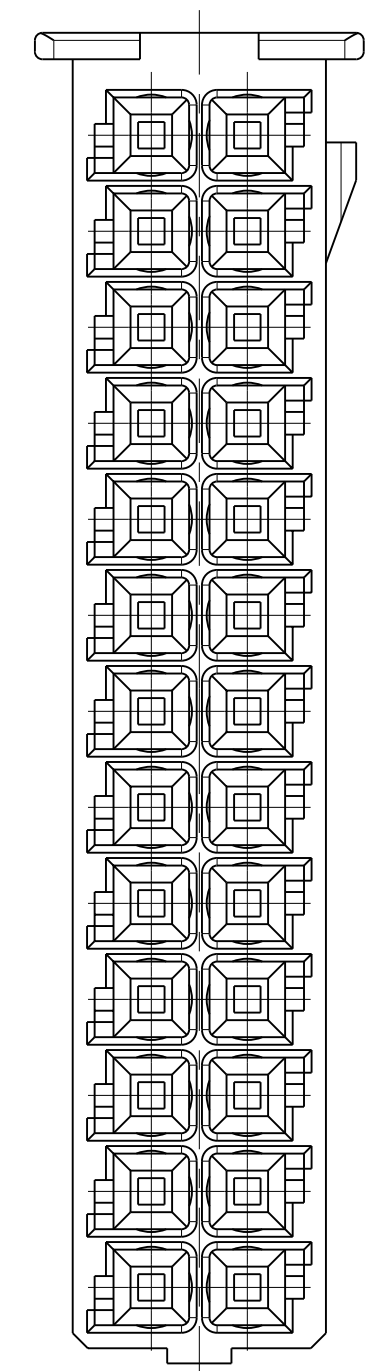
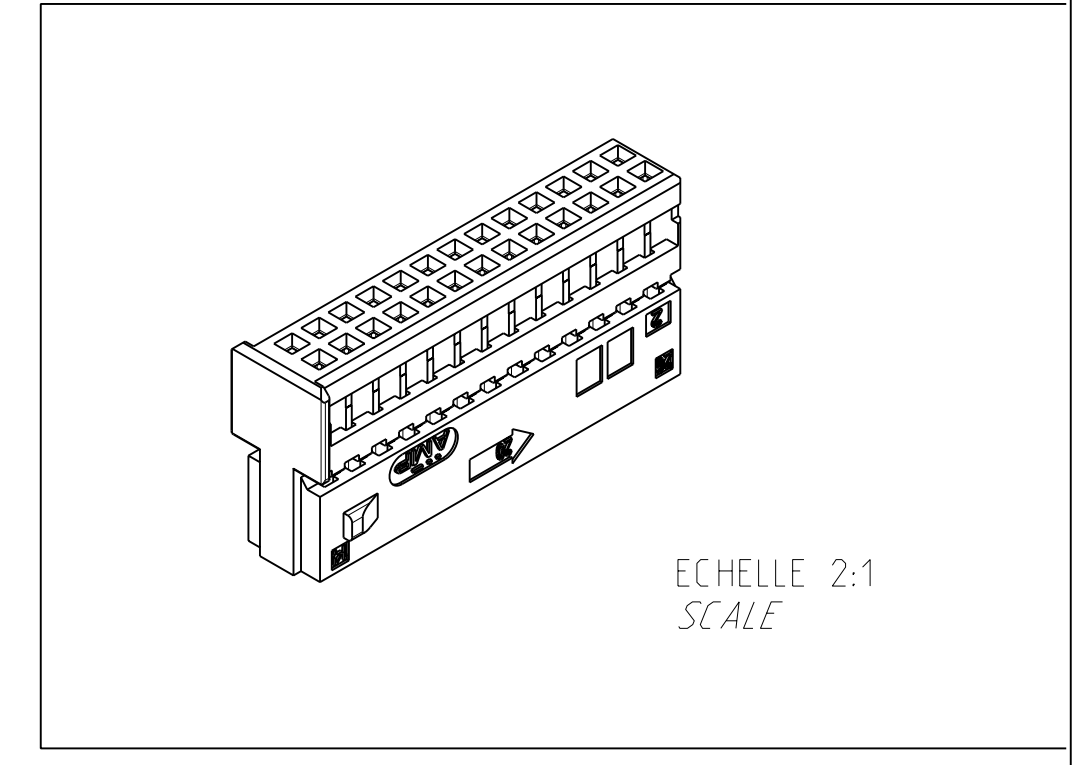
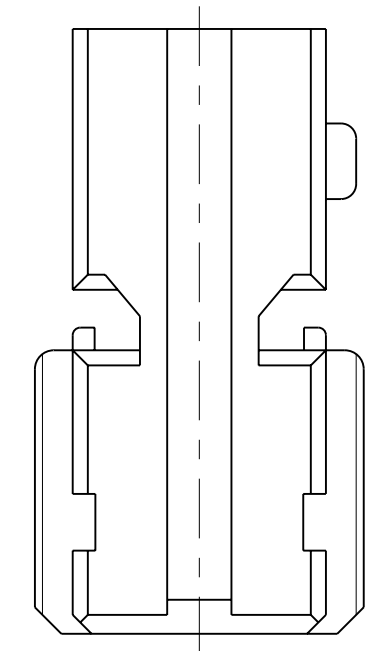


LOC	DIST	REVISIONS					
F	00	P	LTV	DESCRIPTION	DATE	DWN	APVD
		REV		MODIFICATIONS		DESS.	APP.
		A		CREATION	09.JUL.2009	NS	XR



CODE DATE MOULAGE
MOLDING DATE CODE

DESIGNATION MATIERE
MATERIAL DESCRIPTION

MARQUAGE ALVEOLES
CAVITIES MARKING

NOTE

1 - CABLAGE MAXI : 8 FILS DE SECTION 0.6 mm2 (DIA MAXI ISOLANT DE 1.9 mm)
 POUR FORCE D'INSERTION MODULE/PORTE MODULE : F-20N ET POUR ETRE EN CONFORMITE AVEC LA SPEC. 108-15158

- MAXIMAL CABLING : 8 WIRES SECTION 0.6mm2 (DIA MAXIMAL INSULATOR 1.9mm)
 FOR THE INSERTION FORCE MODULE/ASSY COVER : F-20N AND TO BE IN ACCORDANCE WITH THE SPEC. 108-15158

COMPOSANTS ASSOCIES MATING PARTS	
REF. TE TE PART NUMBER	DESIGNATION
185879-X	PORTE MODULE 26 VOIES MQS ASSEMBLY COVER 26 W MQS

185875-1 REPRESENTEE
AS SHOWN

PBT 20% FV PBT GF20	NOIR BLACK	185875-1
MATIERE MATERIAL	COULEUR COLOR	REF TE TE PN

<small>THIS DRAWING IS UNPUBLISHED. RELEASED FOR PUBLICATION DIFFUSION RESTREINTE AMP. LIBRE A LA DIFFUSION BY TYCO ELECTRONICS CORPORATION. ALL RIGHTS RESERVED. THIS RIGHTS RESERVED.</small>		DWN/DESINE N. SIMON 09 JUL 2009	Tyco Electronics France SAS 95300 Pontoise, France
<small>TOI ERANCES UNLESS OTHERWISE SPECIFIED: DIMENSIONS: mm</small>		APVD/APPROUVE X. DROUILLARD 16 JUL 2009	NAME RECEPTACLE HOUSING 26W MQS GENE 2 PORTE CLIP 26 VOIES MQS GENE 2
<small>MATERIAL MATIERE</small>		WEIGHT MASSE APPROX.: 2.4 gr	SIZE FORMAT A1 00779 C=185875
<small>FINISH FINITION</small>		CUSTOMER DRAW ING /PLAN CLIENT	RESTRICTED TO RESERVE A
<small>SCALE ECHELLE 5:1</small>		SHEET FEUILLE 1 OF DE 1	REV A

Mouser Electronics

Authorized Distributor

Click to View Pricing, Inventory, Delivery & Lifecycle Information:

[TE Connectivity:](#)

[185875-1](#)