

4

3

2

1

THIS DRAWING IS UNPUBLISHED.

RELEASED FOR PUBLICATION

,19

© COPYRIGHT 19

BY AMP INCORPORATED. ALL RIGHTS RESERVED.

LOC

DIST

REVISIONS

G

16

P

LTR

DESCRIPTION

DATE

DWN

APVD

0

INITIAL RELEASE

02/14/96

KW

JK

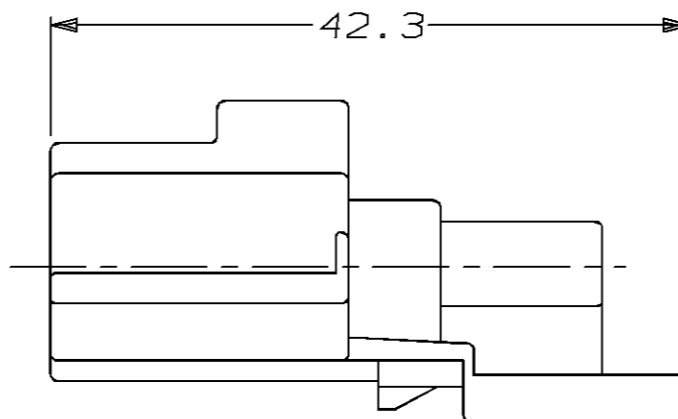
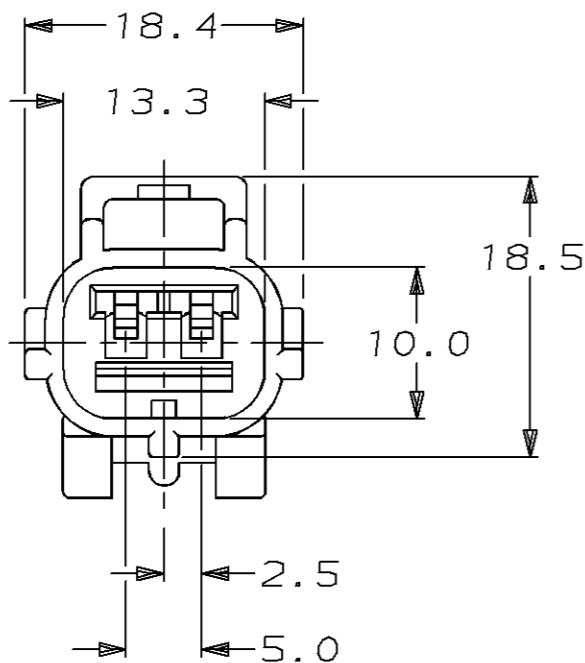
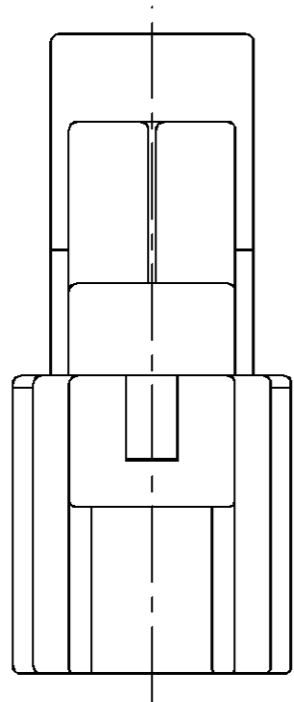
A

REV PER ECN #OKSO-0014-96

09/20/96

KW

JK



184164-1
PART NUMBER

<small>THIS DRAWING IS A CONTROLLED DOCUMENT FOR AMP INCORPORATED. IT IS SUBJECT TO CHANGE AND THE CONTROLLING ENGINEERING ORGANIZATION SHOULD BE CONTACTED FOR THE LATEST REVISION.</small>		DWN	K. WISE	02/14/96	AMP Incorporated Harrisburg, PA 17105-3608		
DIMENSIONS:		CHK	J. KUNKLE	03/08/96			
mm		APVD	J. KUNKLE	03/08/96			
		PRODUCT SPEC	-				
TOLERANCES UNLESS OTHERWISE SPECIFIED: 0 PLC ±- 1 PLC ±0.3 2 PLC ±- 3 PLC ±- 4 PLC ±- ANGLES ±- FINISH GRAY		APPLICATION SPEC	-		NAME	CAP HSG, SSC, 2 POSN B KEY	
MATERIAL		WEIGHT	-		SIZE	CAGE CODE	DRAWING NO
PBT, 15% GLASS FILLED		CUSTOMER DRAWING	-		A3	00779	©-184164
		SCALE	2:1		SHEET	1 OF 1	
		REV	A				

Mouser Electronics

Authorized Distributor

Click to View Pricing, Inventory, Delivery & Lifecycle Information:

[TE Connectivity:](#)

[184164-1](#)