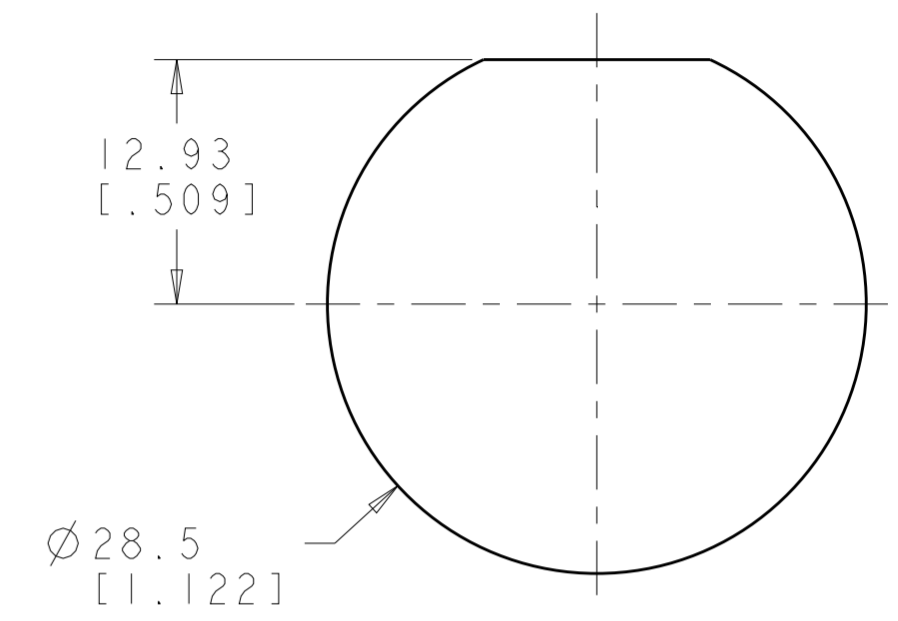
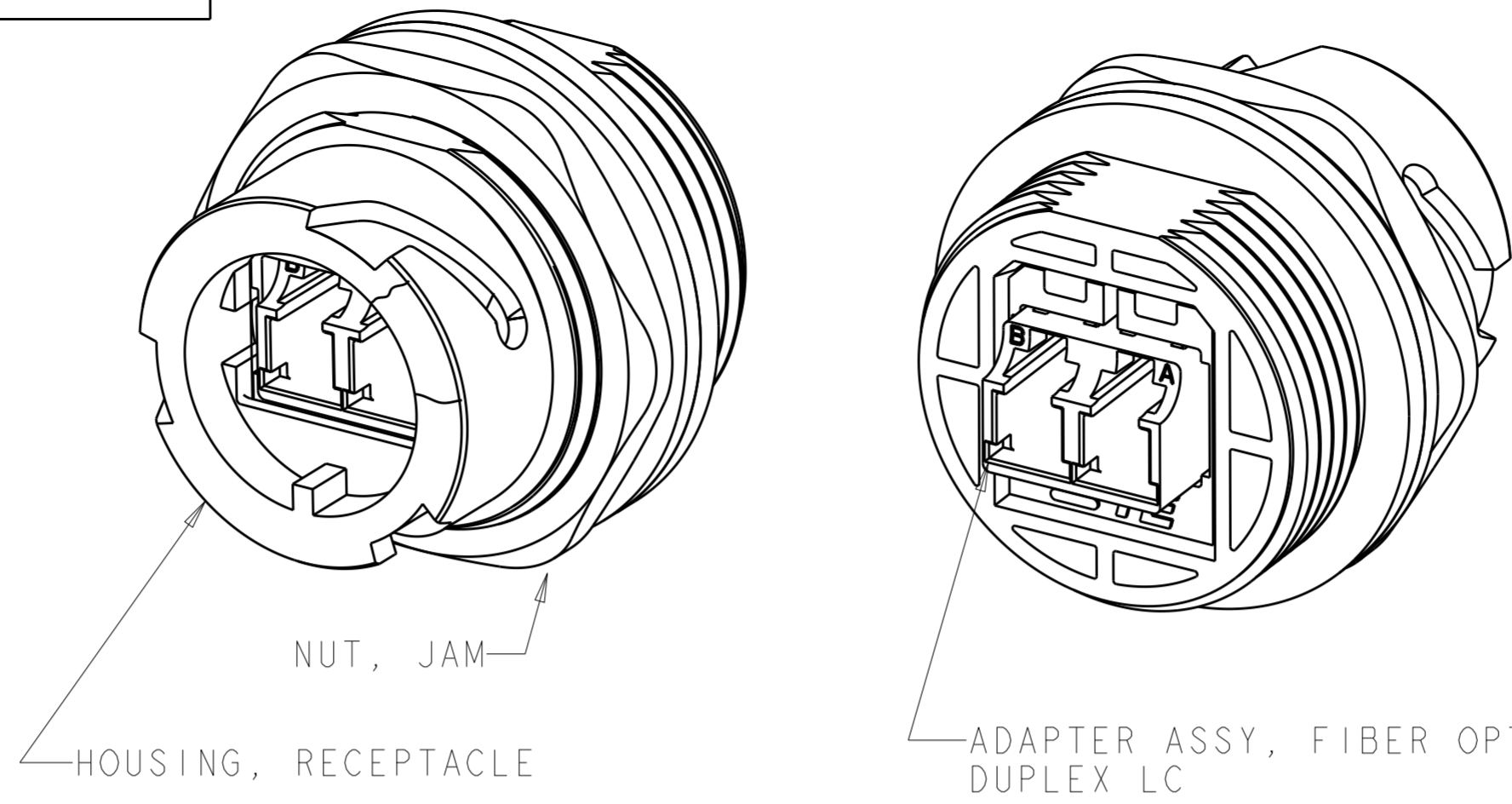
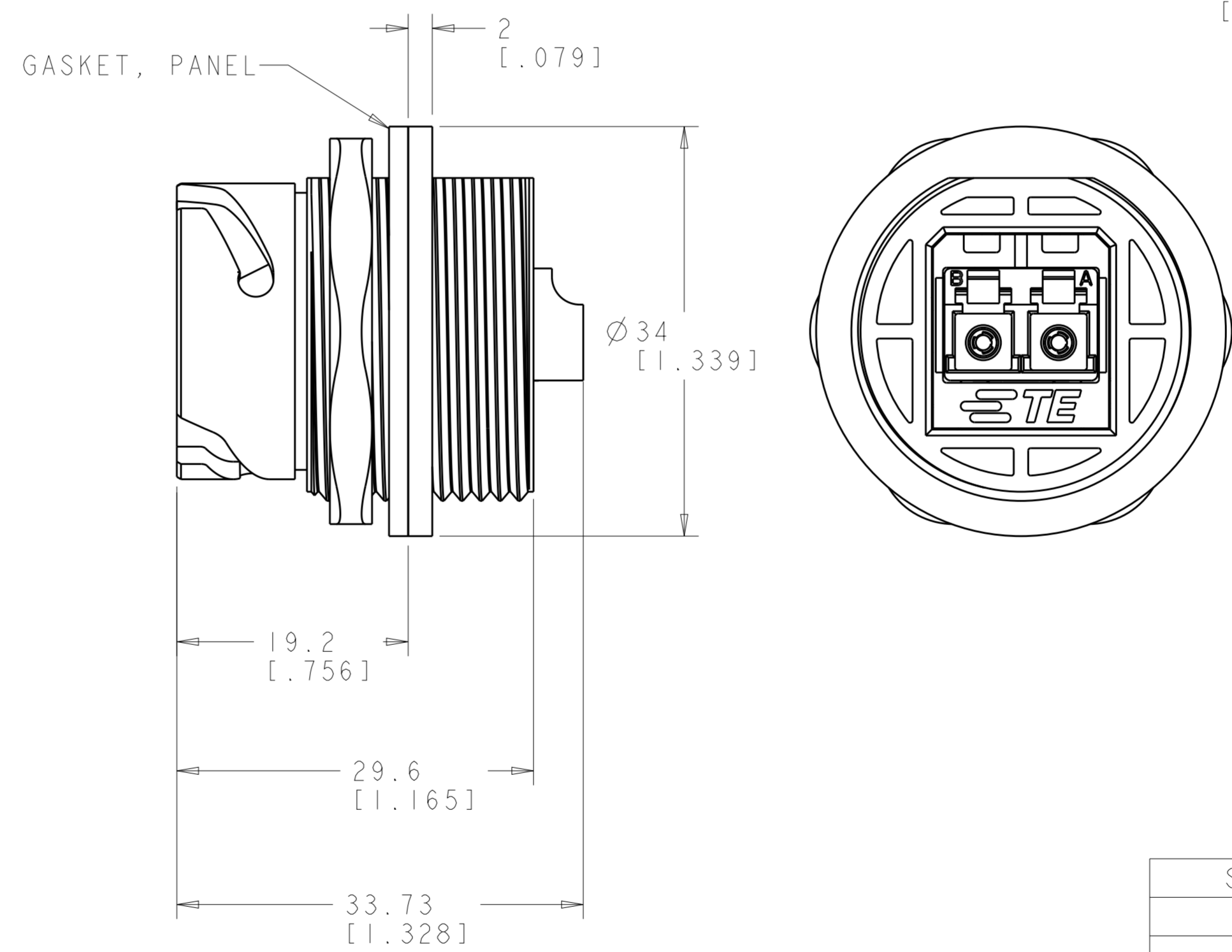
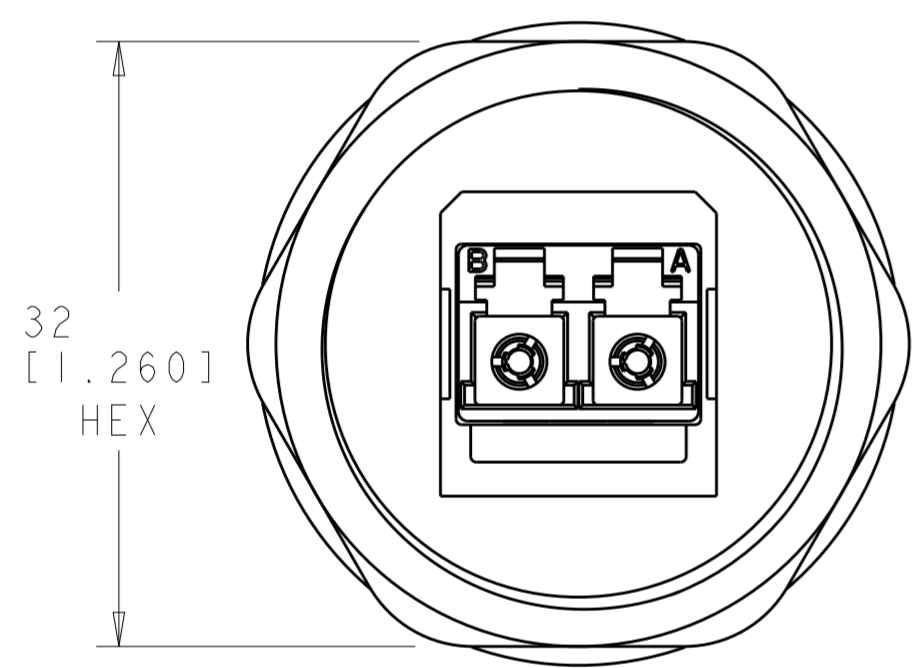


THIS DRAWING IS UNPUBLISHED. RELEASED FOR PUBLICATION 20
 © COPYRIGHT 20 BY - ALL RIGHTS RESERVED.

| REVISIONS | | | | | |
|-----------|-----|---------------------------------|-----------|-----|------|
| P | LTR | DESCRIPTION | DATE | DWN | APVD |
| A | | REL TO ACTIVE PER ECR-08-029127 | 10DEC2008 | DDE | DDE |
| AI | | ECR-13-016190 | 180C2013 | KZ | RZ |



RECOMMENDED PANEL CUT-OUT
 MAX PANEL THICKNESS 3.2mm



⚠ MATERIAL:
 HOUSING, RECEPTACLE: PBT, COLOR: BLACK*
 NUT, PANEL: BRASS, Ni PLATED
 GASKET: SILICONE, COLOR: RED/ORANGE

LC DUPLEX ADAPTER ASSY:
 HOUSING: PEI, COLOR: MM BEIGE, SM BLUE*
 PROTECTIVE COVERS: TPE, COLOR: BLACK*
 ALIGNMENT SLEEVES: MM METAL, SM CERAMIC

- * UL 94 V-0 RATED AT QUALIFYING THICKNESS.
- 2. ADAPTER PROTECTIVE COVERS ARE INCLUDED; NOT SHOWN.
- 3. ADAPTER SEALED PROTECTIVE CAP W/ TETHER IS ALSO AVAILABLE, P/N 1918177-1.

| | |
|-------------|-----------|
| SINGLEMODE | 1828619-2 |
| MULTIMODE | 1828619-1 |
| DESCRIPTION | PART NO |

| | | | | |
|----------------------------------------|--|--------------------------------|-------------------------------------------------------|--|
| THIS DRAWING IS A CONTROLLED DOCUMENT. | | DWN D. ERDMAN 19MAY2005 | TE Connectivity | |
| DIMENSIONS: mm [IN] | | CHK M. GURRERI 19MAY2005 | | |
| TOLERANCES UNLESS OTHERWISE SPECIFIED: | | APVD - 19MAY2005 | NAME KIT, RECEPTACLE, INDUSTRIAL DUPLEX LC ODVA | |
| 0 PLC ±0.2 | | PRODUCT SPEC | SIZE CAGE CODE DRAWING NO RESTRICTED TO | |
| 1 PLC ±0.1 | | APPLICATION SPEC | A200779 C-1828619 | |
| 2 PLC ±0.1 | | WEIGHT | SCALE 5:2 SHEET OF REV AI | |
| 3 PLC ± | | CUSTOMER DRAWING | | |
| 4 PLC ± | | | | |
| ANGLES ± | | | | |
| FINISH | | | | |

Mouser Electronics

Authorized Distributor

Click to View Pricing, Inventory, Delivery & Lifecycle Information:

[TE Connectivity:](#)

[1828619-2](#)