

4

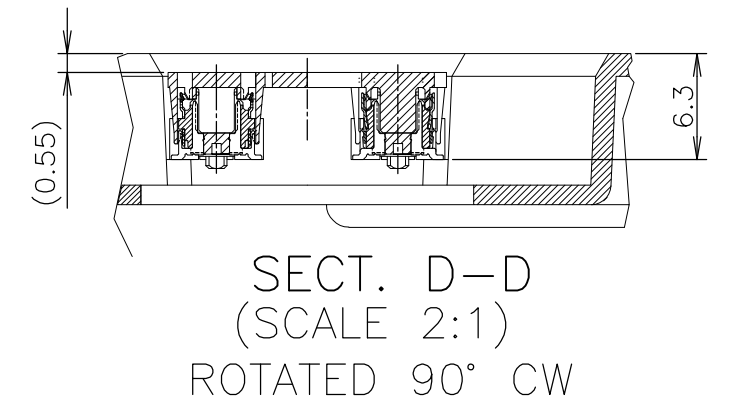
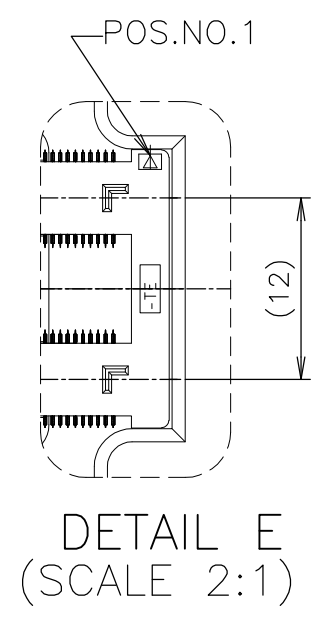
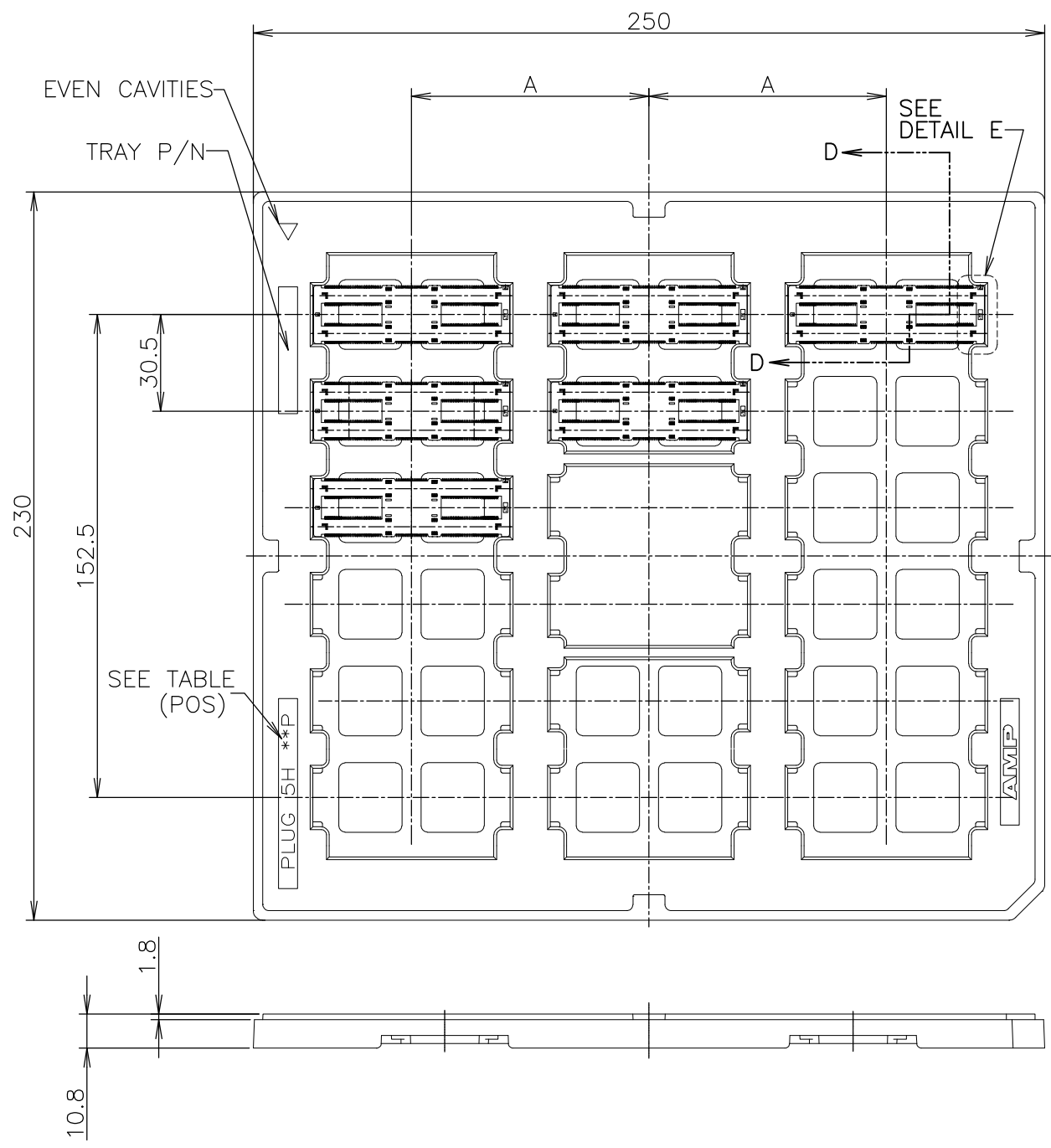
3

2


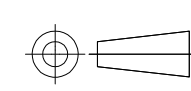
1

THIS DRAWING IS UNPUBLISHED. RELEASED FOR PUBLICATION .2005.  
 © COPYRIGHT 2005 By - ALL RIGHTS RESERVED.

REVISIONS					
P	LTR	DESCRIPTION	DATE	DWN	APVD
	B1	REVISED PER ECO-11-005030	11MAR11	RK	HMR
	B2	REVISED PER ECO-16-010697	20JUL2016	BJ	SY



NO	3	18	75	440	3-1827233-6
SEALANT	ROW	QTY	A	POS.	PART NO.

THIS DRAWING IS A CONTROLLED DOCUMENT.		DWN S.CH IEN 18MAY05	 TE Connectivity <b>HARD TRAY ASSY</b> FH 0.5 BTB CONNECTOR 440POS PLUG 5H W/G-PLATE ON 2 ROW CAP				
DIMENSIONS: MM		CHK T.FUTATSUGI 18MAY05				NAME	
TOLERANCES UNLESS OTHERWISE SPECIFIED: 0 PLC ± 0.3 1 PLC ± 0.3 2 PLC ± 0.3 3 PLC ± 0.3 4 PLC ± 0.3 ANGLES ± 3°		APVD W.KODAMA 18MAY05				PRODUCT SPEC	
		APPLICATION SPEC				108-5560	
MATERIAL		FINISH	WEIGHT	SIZE	CAGE CODE	DRAWING NO	RESTRICTED TO
			0	A3	00779	C-1827233	-
CUSTOMER DRAWING			SCALE	SHEET	REV		
			1:2	1 OF 4	B2		

4

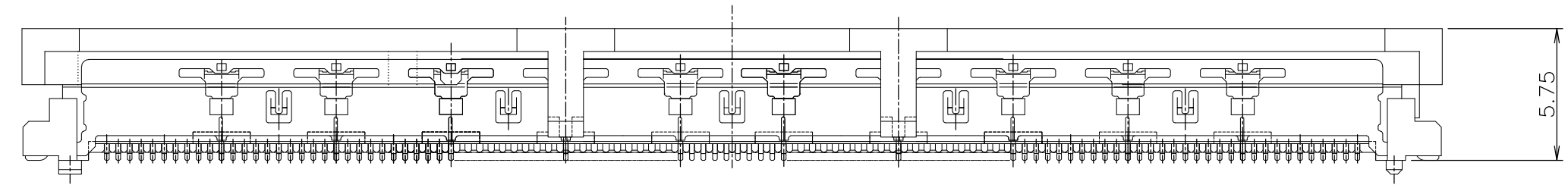
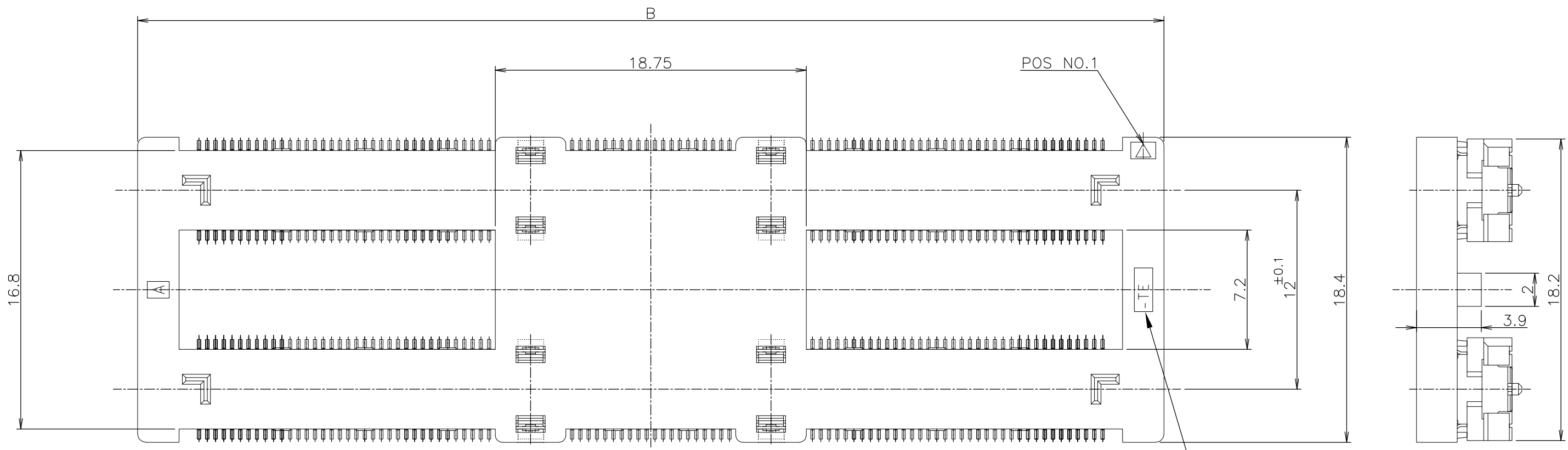
3

2

1

THIS DRAWING IS UNPUBLISHED. RELEASED FOR PUBLICATION ,2002.  
 © COPYRIGHT 2002 By - ALL RIGHTS RESERVED.

REVISIONS					
P	LTR	DESCRIPTION	DATE	DWN	APVD
-	-	SEE SHEET 1	-	-	-



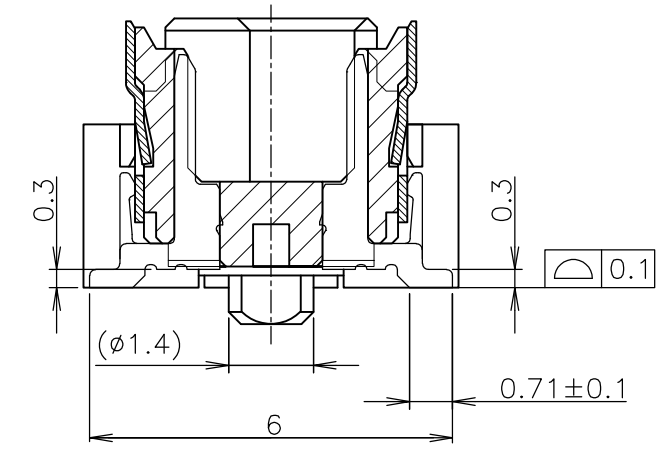
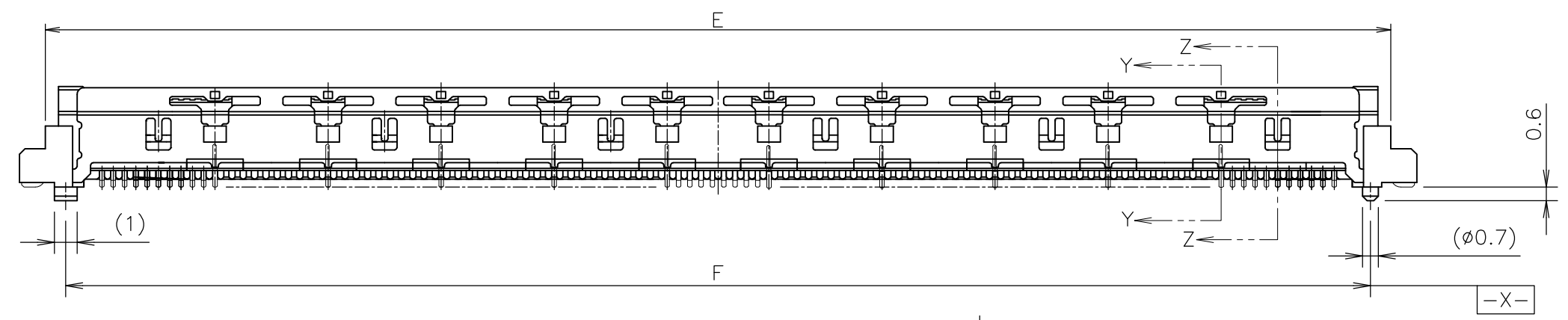
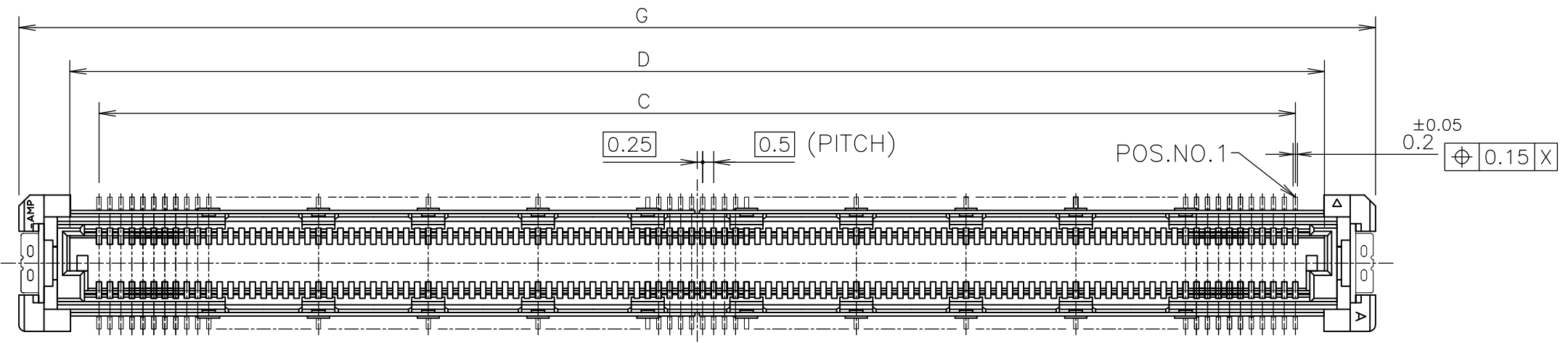
BLACK	61.9	440	3-1827233-6
CAP COLOR	B	POS	PART NO.

NOTE  
 1 SINK SURFACE 0.1, RISING CHARACTER 0.08  
 '-TE' MANUFACTURED BY TE JP  
 '-TE-' MANUFACTURED BY TE QD

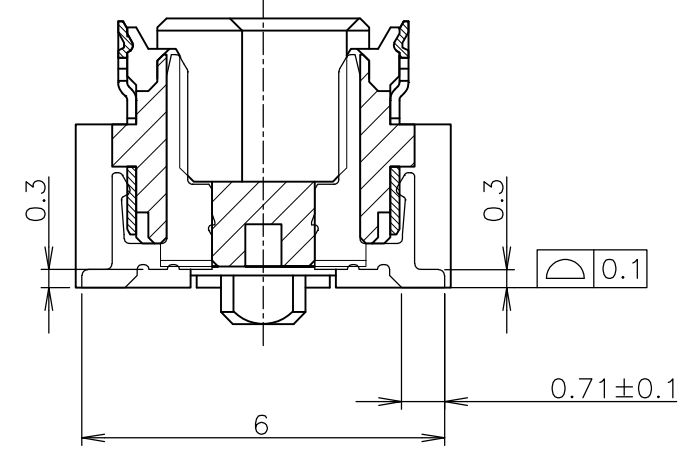
THIS DRAWING IS A CONTROLLED DOCUMENT.		DWN	TE Connectivity <b>HARD TRAY ASSY</b> FH 0.5 BTB CONNECTOR 440POS PLUG 5H W/G-PLATE ON 2 ROW CAP				
DIMENSIONS: MM		CHK				NAME	
TOLERANCES UNLESS OTHERWISE SPECIFIED: 0 PLC ± 0.3 1 PLC ± 0.3 2 PLC ± 0.3 3 PLC ± 0.3 4 PLC ± 0.3 ANGLES ± 3°		APVD				SIZE	
MATERIAL		PRODUCT SPEC				CAGE CODE	DRAWING NO
FINISH		APPLICATION SPEC	A3 00779 C-1827233		RESTRICTED TO		
		WEIGHT	CUSTOMER DRAWING		SCALE 4:1		
			SHEET 2 OF 4		REV B2		

THIS DRAWING IS UNPUBLISHED. RELEASED FOR PUBLICATION .2002.  
 © COPYRIGHT 2002 By - ALL RIGHTS RESERVED.

REVISIONS				
P	LTR	DESCRIPTION	DATE	APVD
-	-	SEE SHEET 1	-	-



SECT. Z-Z  
(SIGNAL POSITION)  
(SCALE 8:1)



SECT. Y-Y  
(GROUND POSITION)  
(SCALE 8:1)

**NOTES**  
 △ MATERIAL ; HOUSING : HIGH TEMP THERMO PLASTIC UL94V-0  
 CONTACT : COPPER ALLOY  
 SOLDER PEG : COPPER ALLOY  
 △ FINISH ; SIGNAL CONTACT : UNDER PL Ni 0.0013mm MIN ALL OVER.  
 CONTACT AREA 0.0002mm MIN Au PL.  
 SOLDERING AREA 0.00005mm MIN Au PL.  
 GROUND CONTACT : UNDER PL Ni 0.0013mm MIN ALL OVER.  
 CONTACT AREA 0.0002mm MIN Au PL.  
 SOLDERING AREA 0.001mm MIN Sn PL.  
 SOLDER PEG : 0.001mm MIN Sn PL. OVER  
 0.0013mm MIN Ni PL ALL OVER.  
 △ THIS POSITION IS GROUND CIRCUIT.

61.8	57.7	59.5	57.1	54.5	220	BLACK	3-1827233-6
G	F	E	D	C	POS.	HSG COLOR	PART NO.

THIS DRAWING IS A CONTROLLED DOCUMENT.		DWN		TE Connectivity <b>HARD TRAY ASSY</b> FH 0.5 BTB CONNECTOR 440POS PLUG 5H W/G-PLATE ON 2 ROW CAP	
DIMENSIONS: MM		TOLERANCES UNLESS OTHERWISE SPECIFIED:			
		0 PLC ± 0.3 1 PLC ± 0.3 2 PLC ± 0.3 3 PLC ± 0.3 4 PLC ± 0.3 ANGLES ± 3°			
MATERIAL		FINISH			
△		△		NAME SIZE CAGE CODE DRAWING NO RESTRICTED TO A3 00779 C-1827233	
CUSTOMER DRAWING		SCALE 4:1		SHEET 3 OF 4 REV B2	

4

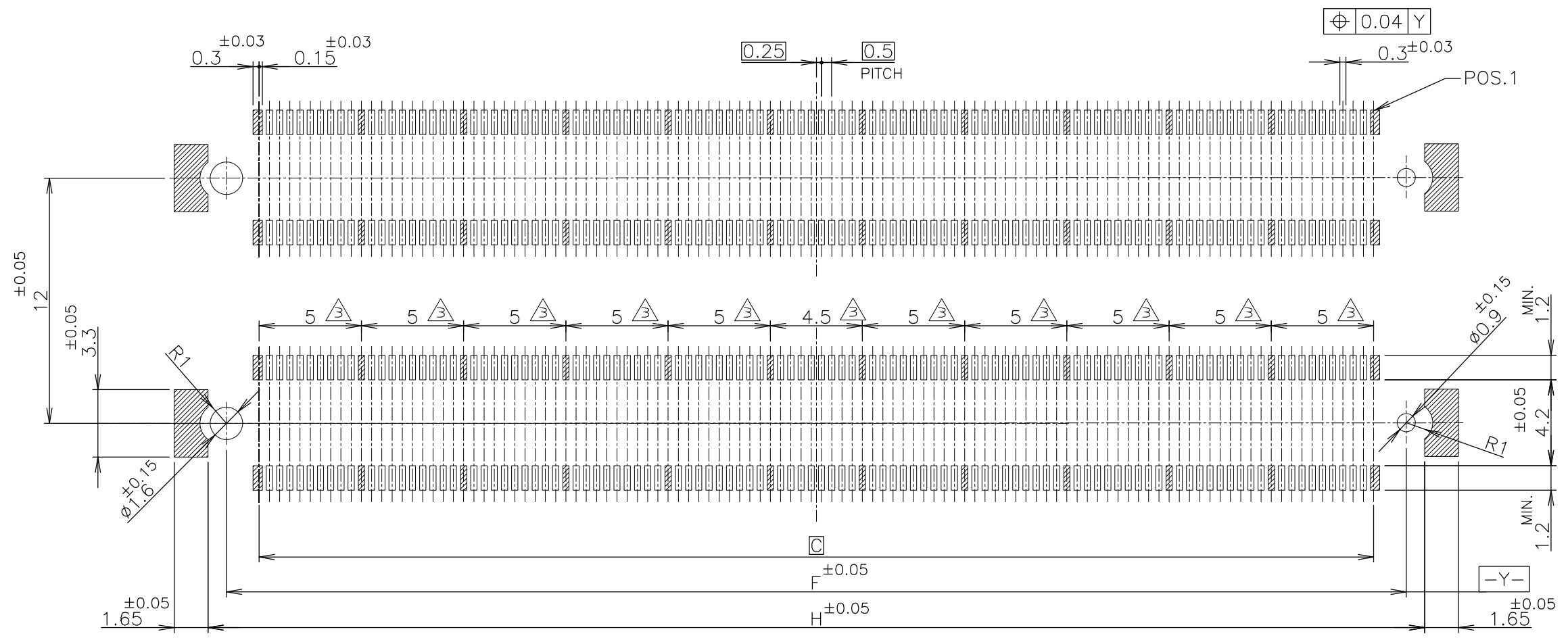
3

2

1

THIS DRAWING IS UNPUBLISHED. RELEASED FOR PUBLICATION .2002.  
 © COPYRIGHT 2002 By - ALL RIGHTS RESERVED.

REVISIONS					
P	LTR	DESCRIPTION	DATE	DWN	APVD
-	-	SEE SHEET 1	-	-	-



REFERENCE P.C.BOARD LAYOUT

59.5	440	3-1827233-6
H	POS	PART NO.

THIS DRAWING IS A CONTROLLED DOCUMENT.		DWN	TE Connectivity NAME HARD TRAY ASSY FH 0.5 BTB CONNECTOR 440POS PLUG 5H W/G-PLATE ON 2 ROW CAP				
DIMENSIONS: MM		CHK					
		APVD					
TOLERANCES UNLESS OTHERWISE SPECIFIED: 0 PLC ± 0.3 1 PLC ± 0.3 2 PLC ± 0.3 3 PLC ± 0.3 4 PLC ± 0.3 ANGLES ± 3°		PRODUCT SPEC					
MATERIAL		FINISH	APPLICATION SPEC	SIZE	CAGE CODE	DRAWING NO	RESTRICTED TO
			WEIGHT	A3	00779	C-1827233	-
CUSTOMER DRAWING				SCALE	4:1	SHEET	4 OF 4
				REV	B2		

# Mouser Electronics

Authorized Distributor

Click to View Pricing, Inventory, Delivery & Lifecycle Information:

[TE Connectivity:](#)

[3-1827233-6](#)