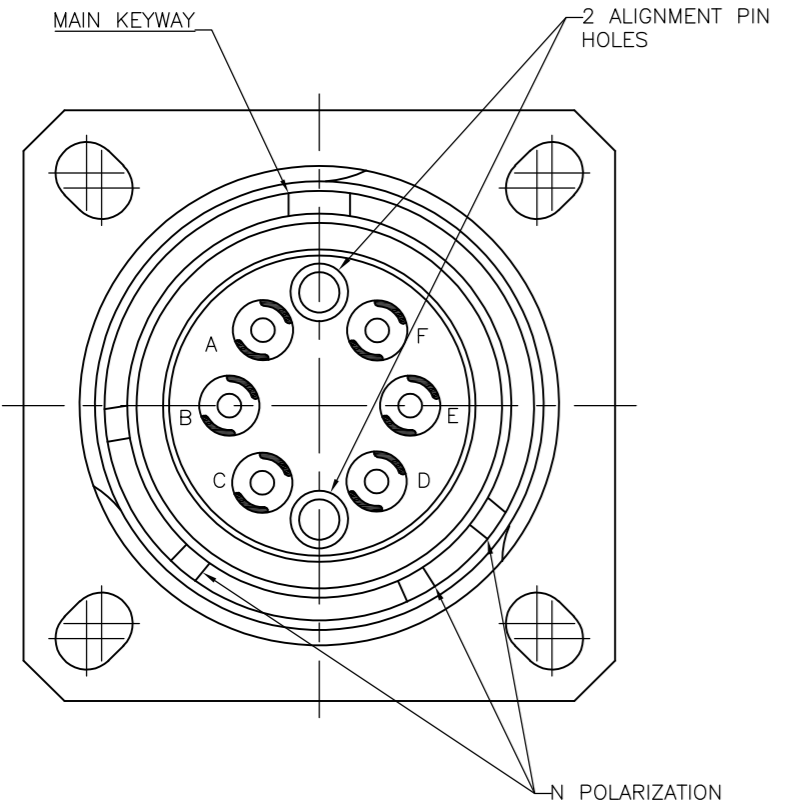
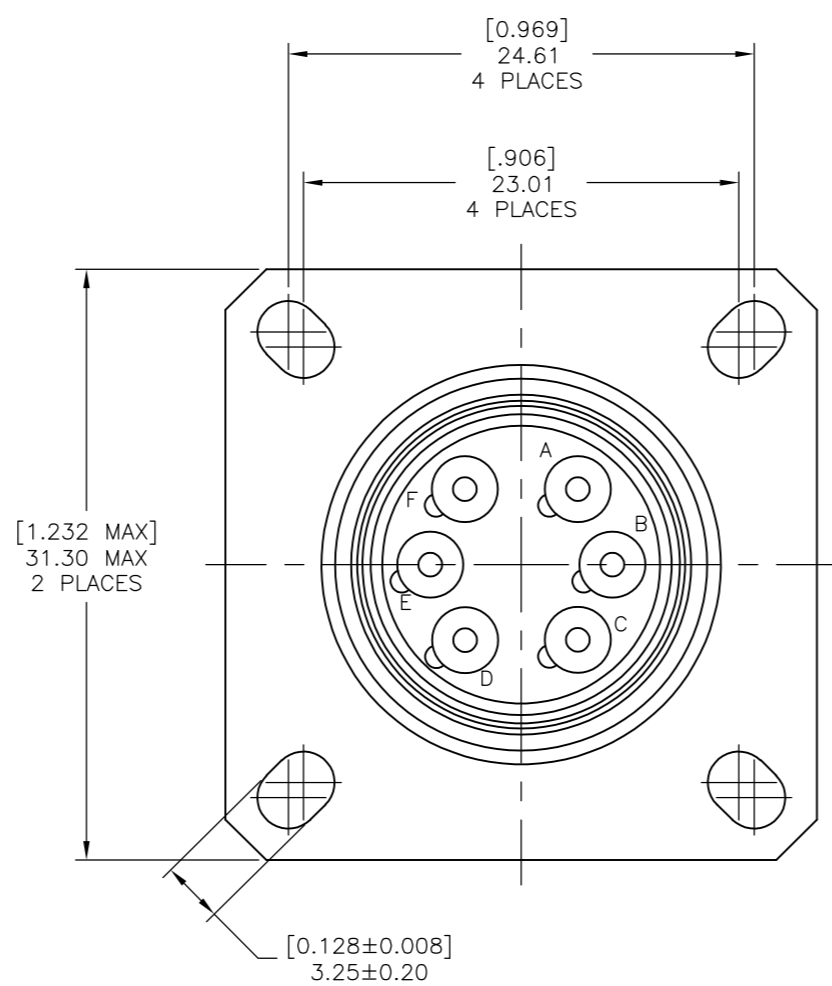


THIS DRAWING IS UNPUBLISHED. RELEASED FOR PUBLICATION
 © COPYRIGHT - By - ALL RIGHTS RESERVED.

REVISONS		DATE	DWN	APVD
P	LTR	DESCRIPTION		
2		PROPOSED	CT	JM



FRONT VIEW



REAR VIEW

- 1 MATERIALS:
- SHELL: ALUMINUM ALLOY, 6061-T6/T651 PER AMS-4027, ASTM-B-221 OR ASTM-B-209 ALUMINUM ALLOY, 7075-T6/T651 PER AMS-QQ-A-250/12
 - INSERT: HIGH GRADE THERMOPLASTIC PER ASTM-D-4067
 - CONTACT RETENTION CLIPS: BERYLLIUM COPPER PER ASTM-B194 OR 196.
 - REAR GROMMET, INTERFACIAL SEAL AND O-RING SEAL: FLUOROSILICONE ELASTOMER PER SAE-AMS-R25988, EXCEPT §4.6.6.1.

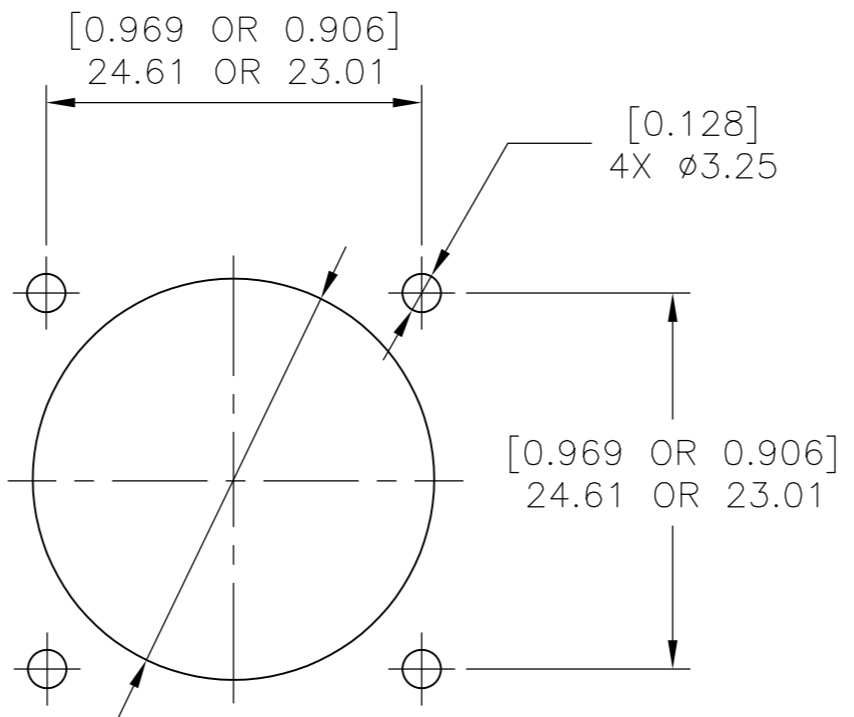
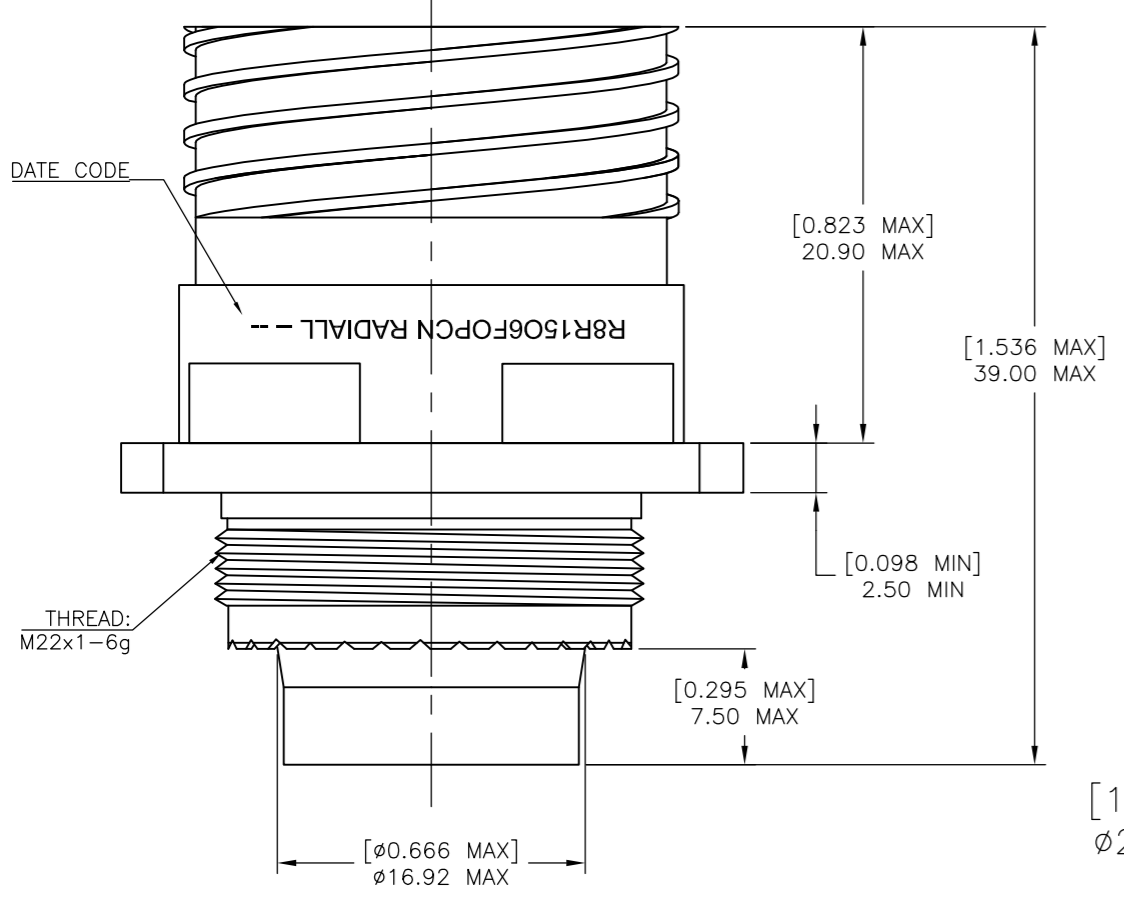
- 2 FINISH:
- SHELL: CADMIUM PLATE WITH OLIVE DRAB CHROMATE CONVERSION. PER SAE-AMS-QQ-P-416 TYPE II, CLASS 2,

- 3 NOTES:
- POLARIZATION TYPE "N".

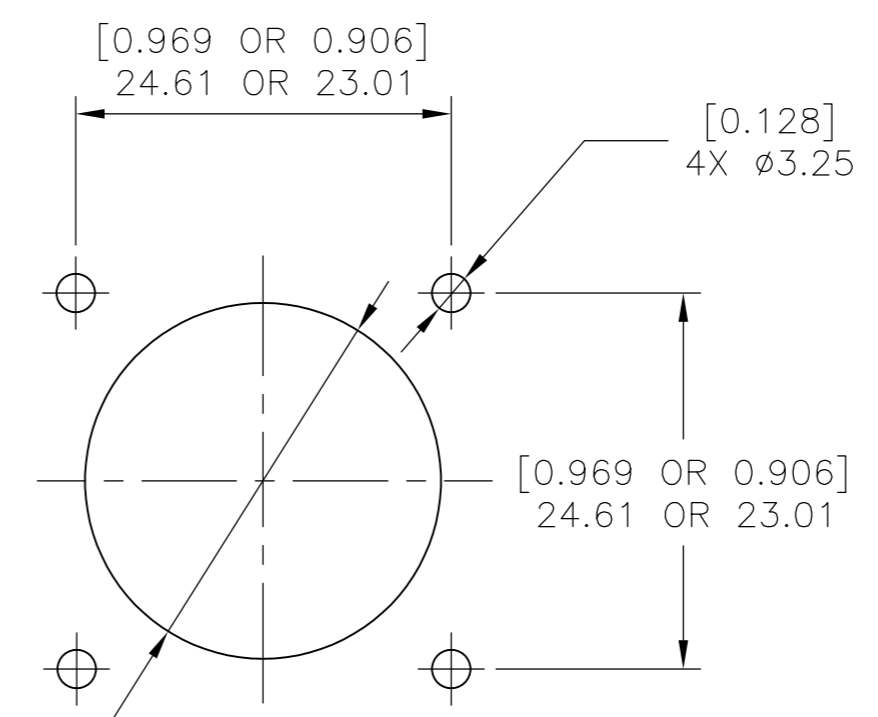
MARKING:
 CONNECTOR IS MARKED: "R8R1506FOPCN"
 "RADIALL_" (DATE CODE YY WW)

- INSERT 6 CAVITIES FOR ML OR MT ARINC 801 OPTICAL CONTACTS.
- RECEPTACLE DELIVERED WITHOUT CONTACT.
- DELIVERED WITH PROTECTIVE DUST CAP.
- SHELL AND LOCKING MECHANISM COMPLIANT TO MIL-DTL-38999 STANDARD.
- PRODUCT COMPLIANT TO ARINC 801 SPECIFICATION.
- WEIGHT: 21 Gr. [0.741 OUNCES] APPROX. (WITHOUT PROTECTIVE DUST CAP).

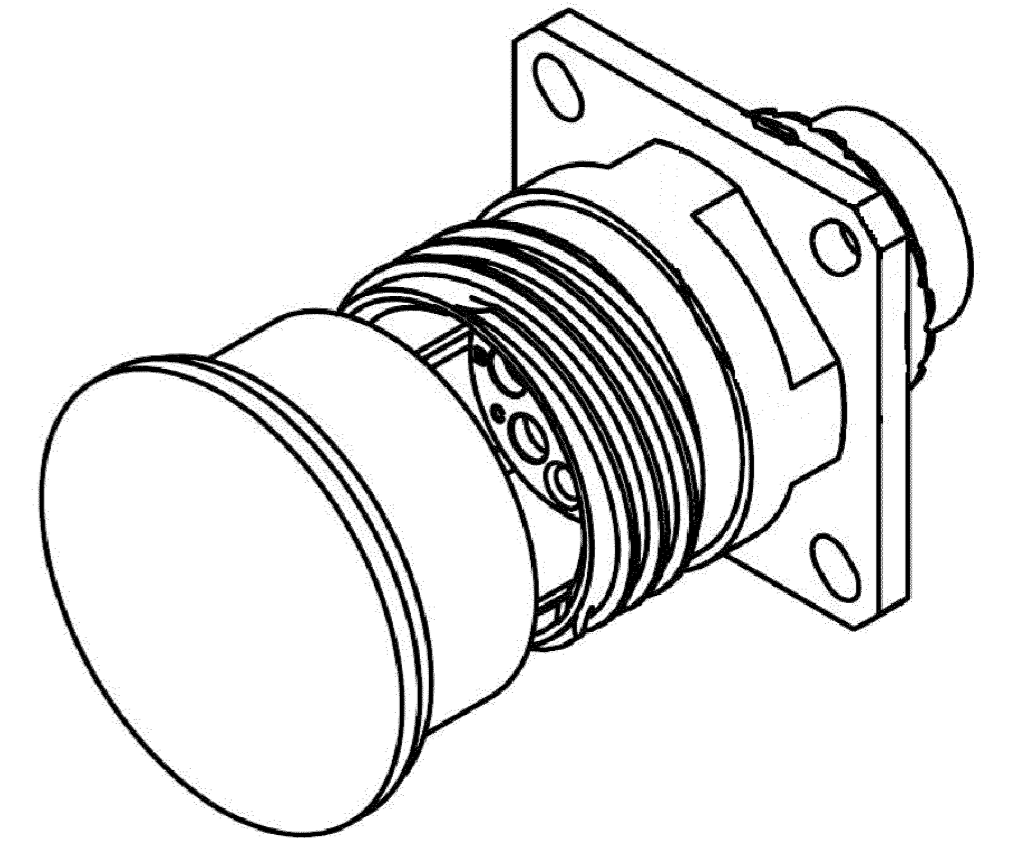
PANEL CUT-OUT



REAR MOUNTING



FRONT MOUNTING



THIS PRINT IS
PRELIMINARY
 UNQUALIFIED PRODUCT
 CONTACT PRODUCT ENGINEERING
 BEFORE USING THIS PRINT

THIS DRAWING IS A CONTROLLED DOCUMENT.		DWN	C.C. THOMAS	12AUG2011
DIMENSIONS: mm [INCHES]		CHK	JAMES MOSIER	12AUG2011
TOLERANCES UNLESS OTHERWISE SPECIFIED:		APVD	JAMES MOSIER	12AUG2011
0 PLC	± -	PRODUCT SPEC	NAME	
1 PLC	± -	APPLICATION SPEC	CONNECTOR, CIRCULAR, PANEL MOUNT RECEPTACLE, M38999 SERIES III STYLE, SIZE 15, 6 POSN, FOR ARINC 801 OPTICAL TERMINI, N-POLARIZATION	
2 PLC	± -	WEIGHT	SIZE	A2
3 PLC	± -	CUSTOMER DRAWING	CAGE CODE	00779
4 PLC	± -	SCALE	DRAWING NO	C=1811966
ANGLES	± -	SHEET	1	OF 1
FINISH	1	REV	2	

1811966-1
 PART NUMBER

Mouser Electronics

Authorized Distributor

Click to View Pricing, Inventory, Delivery & Lifecycle Information:

[TE Connectivity:](#)

[1811966-1](#)