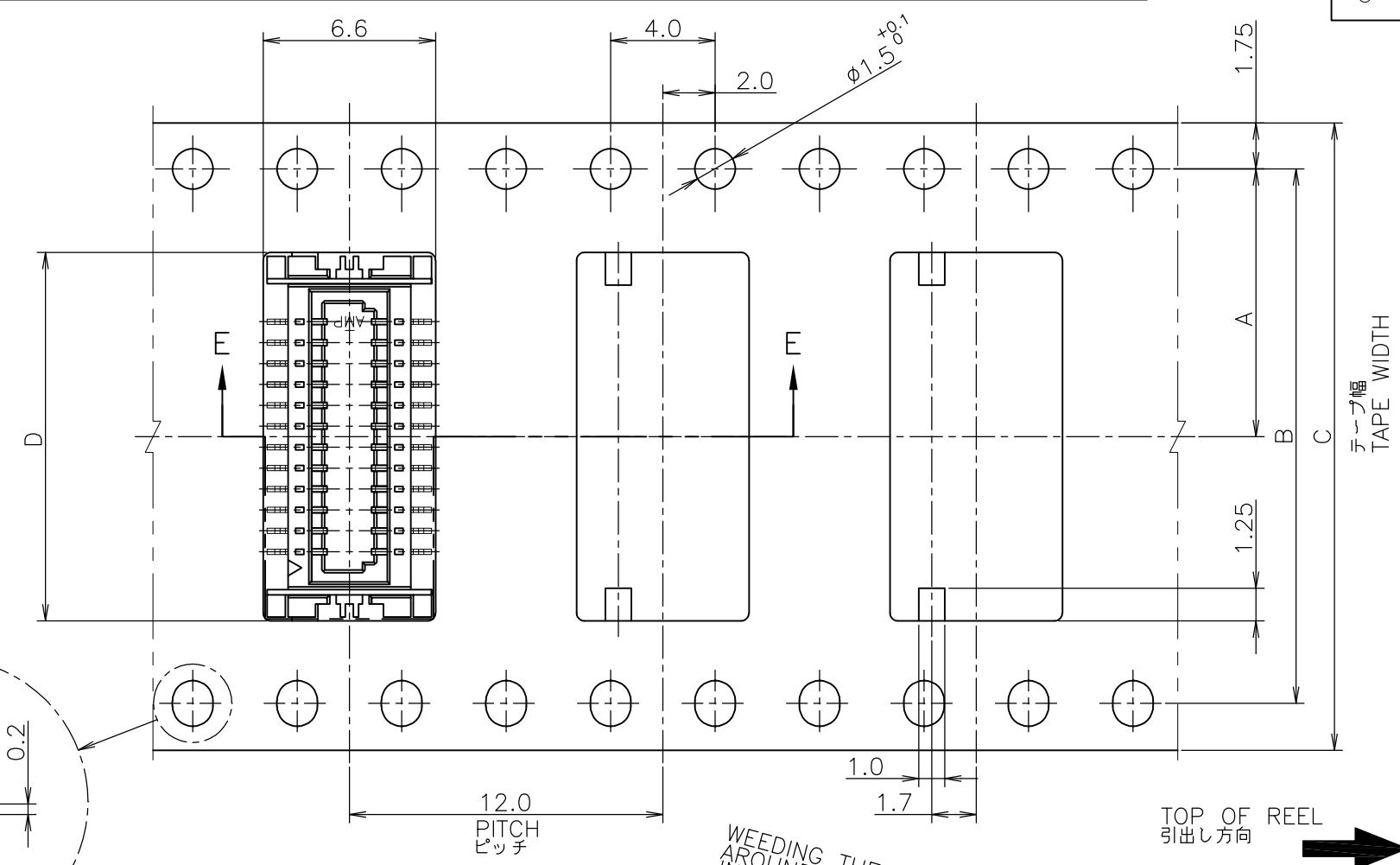
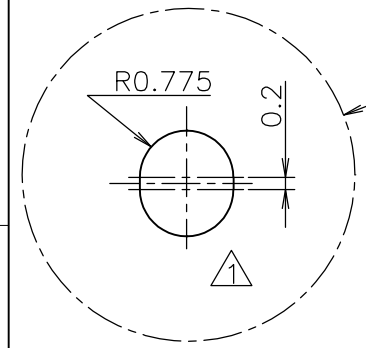
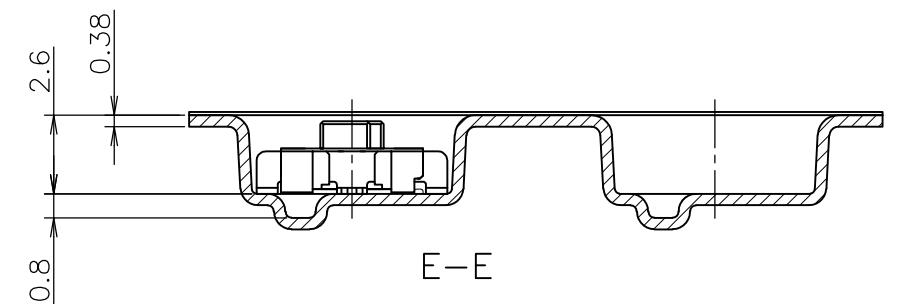


THIS DRAWING IS UNPUBLISHED. RELEASED FOR PUBLICATION FEB, 1995.
 © COPYRIGHT 1995 BY TYCO ELECTRONICS CORPORATION. ALL RIGHTS RESERVED.

LOC	DIST	REVISIONS 変更			
P	LTR	DESCRIPTION	DATE	DWN	APVD
	A	REVISED FJB0-0328-03	30MAY03	H.H	T.K
	A1	REVISED PER ECO-09-024717	04NOV09	KK	AEG

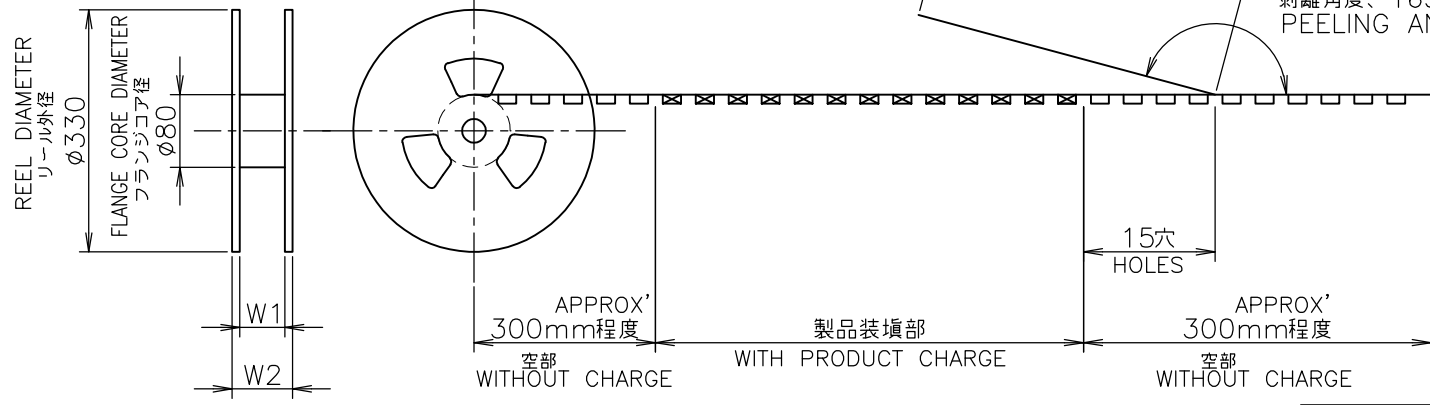


- △1 指示穴は40極品のみ適用。
- △1 THESE HOLES ARE APPLIED TO 40 Pos. ONLY.
- △2 OBSOLETE PARTS: OBSOLETE CIS STREAMLINING PER D.RENAUD/D.SINISI



WEEDING THE COVER TAPE
 AROUND THE OUTER PERIPHERY
 IN A TURN.
 カバーテープ
 リーダー部
 外周一卷
 剝離角度、165°~180°
 PEELING ANGLE.

鉛フリー
 LEAD FREE



W2	W1	D	C	B	A	数量 (ヶ)	極数 POS	コネクタ型番 (バラ状) CONNECTOR P/N (L/P)	リール巻 コネクタ型番 TAPING P/N		
37.5	33.5	20.5	32	28.4	14.2	↑	40	4-	↑ -0	-4	↑ -0
↑	↑	16.5	↑	---	↑		30	3-	↑ -0	3-	↑ -0
29.5	25.5	14.1	24	---	11.5		24	2-	↑ -4	2-	↑ -4
↑	↑	10.9	↑	---	↑		16	1-	↑ -6	1-	↑ -6
21.5	17.5	10.1	16	---	7.5	1500	14	1-179698-4		1-	1-179702-4

INSTRUCTION SHEET
 取扱説明書 411-5654

THIS DRAWING IS A CONTROLLED DOCUMENT.

DWN Y.NAKAZAWA 15FEB95	Tyco Electronics AMP K.K. Kawasaki, Japan
CHK K.ASAKAWA 20FEB95	
APVD S.KUBOUCHI 21FEB95	NAME 名称 エンボス詰 プラグ・アッセンブリ ON TAPING (EMBOSS) PLUG ASSEMBLY WITHOUT BOSS 0.8mm PITCH BOARD TO BOARD CONNECTOR (MATING HEIGHT 3.0mm, Au PLATED)
DIMENSIONS: 単位: 耗 MM	PRODUCT SPEC 製品規格 108-5424
TOLERANCES UNLESS OTHERWISE SPECIFIED: 一般公差	APPLICATION SPEC 取付適用規格
0 PLC ± 0.2	SIZE A3
1 PLC ± 0.2	CAGE CODE 00779
2 PLC ± 0.2	DRAWING NO 番号 C-179702
3 PLC ± 0.2	RESTRICTED TO
4 PLC ± 0.2	SCALE 4:1
ANGLES ± 3'	SHEET 1 OF 1
MATERIAL 材料	FINISH 仕上
WEIGHT	REV A1

CUSTOMER DRAWING

Mouser Electronics

Authorized Distributor

Click to View Pricing, Inventory, Delivery & Lifecycle Information:

[TE Connectivity:](#)

[3-179702-0](#)