

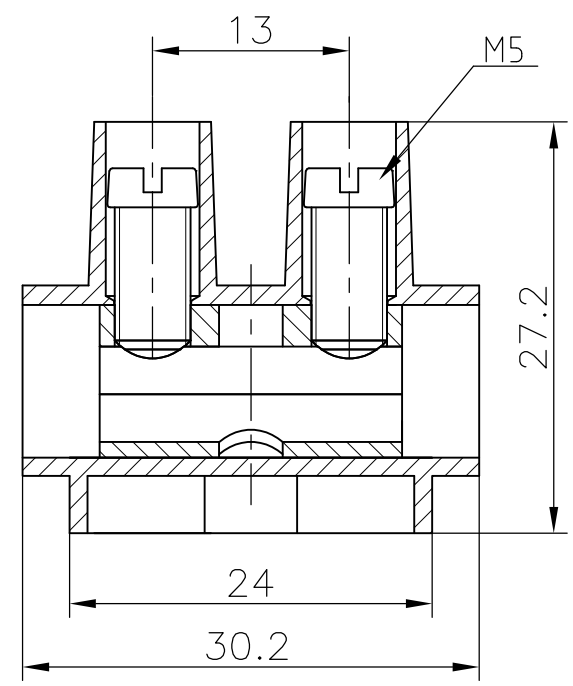
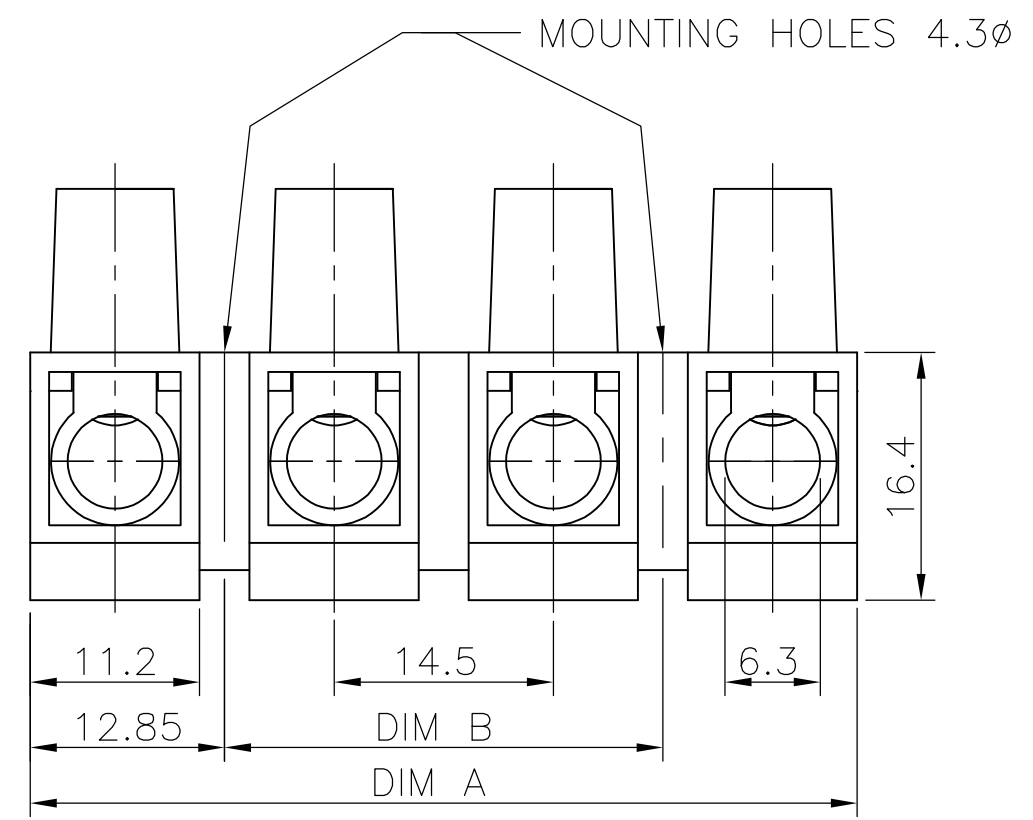
THIS DRAWING IS UNPUBLISHED. RELEASED FOR PUBLICATION  
 © COPYRIGHT BY TYCO ELECTRONICS CORPORATION. ALL RIGHTS RESERVED.

LOC	DIST	REVISIONS					
FT	0	P	LTR	DESCRIPTION	DATE	DWN	APVD
			B	REVISED PER ECO-07-012966	6/4/07	SS	CR

MATERIAL:  
 HOUSING: POLYIMIDE 6 UL94V-2.  
 COLOR: NATURAL (OFF WHITE).  
 TUBULAR CONTACT: BRASS, TIN PLATED.  
 SCREW: M5, STEEL, ZINC PLATED W/ NON-HEXAVALENT CHROMATE (CHROME III).  
 ELECTRICAL:  
 CURRENT RATING: 65A, 600V.  
 WIRE RANGE: 6-14 AWG.

CONTINUOUS WORKING TEMP.: 100°C MAX.

⚠ PRELIMINARY PART NUMBER.



PHILLIPS HEAD	145.0	170.7	12	TSB200012K/12PM	2-1776892-2
PHILLIPS HEAD	72.5	98.2	7	TSB20007K/7PM	1-1776892-7
⚠ PHILLIPS HEAD	43.5	69.2	5	TSB20005K/5PM	1-1776892-5
⚠ SLOTTED HEAD	145.0	170.7	12	TSB200012K/12	1-1776892-2
SLOTTED HEAD	72.5	98.2	7	TSB20007K/7	1776892-7
⚠ SLOTTED HEAD	43.5	69.2	5	TSB20005K/5	1776892-5
SCREW TYPE	DIM B	DIM A	NO OF POS	T & B PART NUMBER	TYCO PART NUMBER

THIS DRAWING IS A CONTROLLED DOCUMENT.		DWN	S SCHLEGEL	9/25/06	Tyco Electronics Corporation Harrisburg, PA 17105-3608	
DIMENSIONS: mm		CHK	C RICHARD	9/25/06	NAME	
TOLERANCES UNLESS OTHERWISE SPECIFIED:		APVD	C RICHARD	9/25/06	14.5MM PITCH, 65A HIGH VOLTAGE VERSION	
0 PLC ± -		PRODUCT SPEC	-			
1 PLC ± 0.3		APPLICATION SPEC	-			
2 PLC ± 0.25		WEIGHT	-			
3 PLC ± -		SIZE	A3	CAGE CODE	00779	DRAWING NO
4 PLC ± -		RESTRICTED TO	-			
ANGLES ± 2'		SCALE	NTS			
MATERIAL -		SHEET	1 OF 1			
FINISH -		REV	B			
		CUSTOMER DRAWING				

# Mouser Electronics

Authorized Distributor

Click to View Pricing, Inventory, Delivery & Lifecycle Information:

[TE Connectivity:](#)

[1776892-7](#)