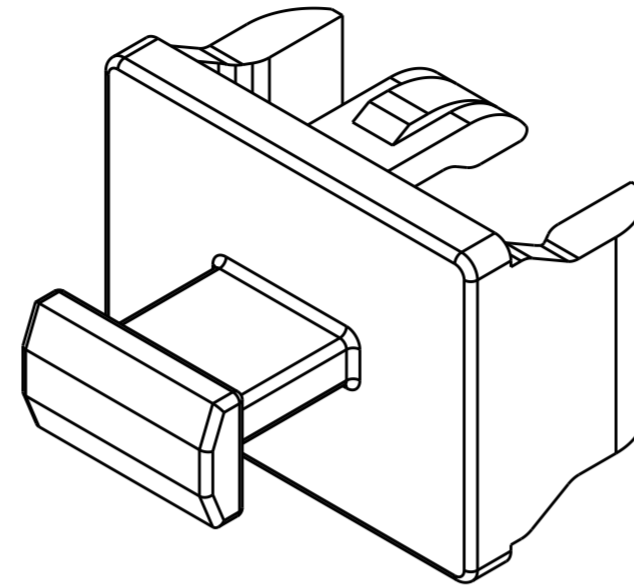
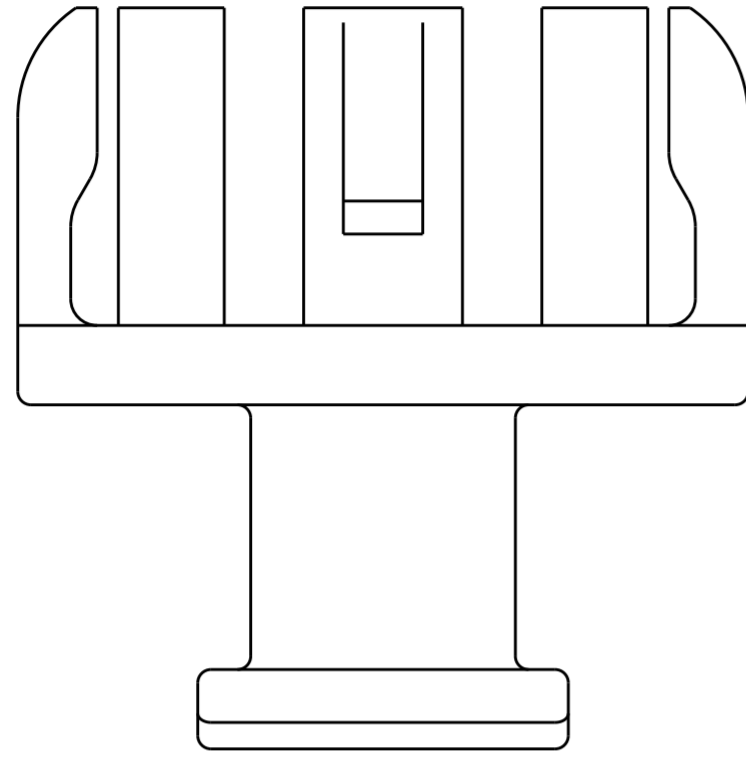


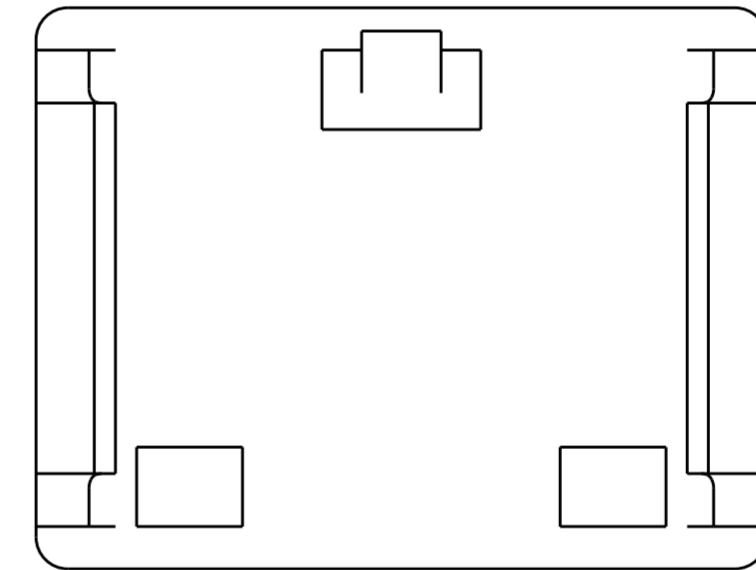
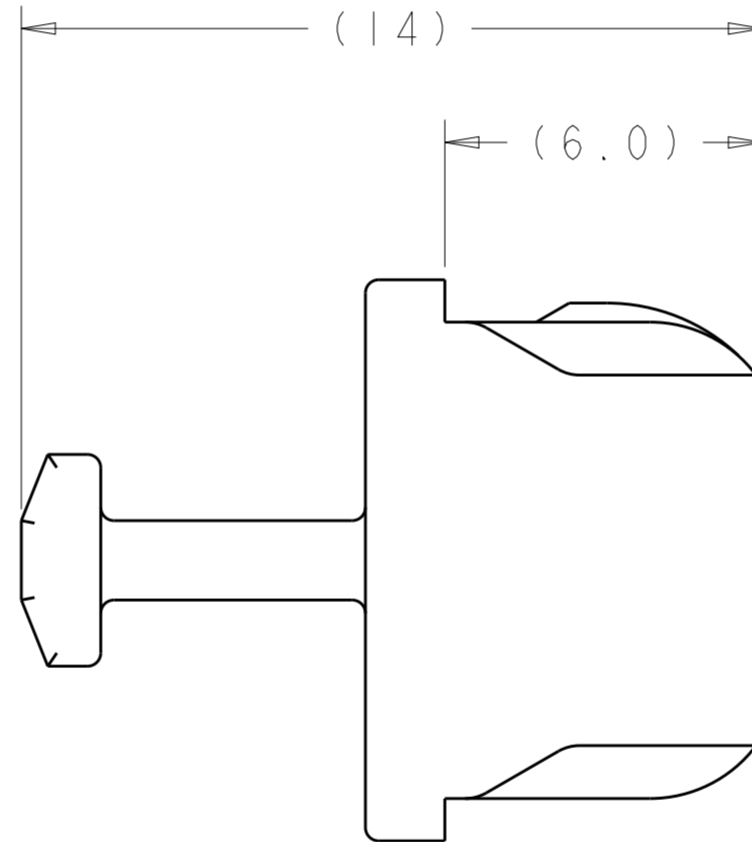
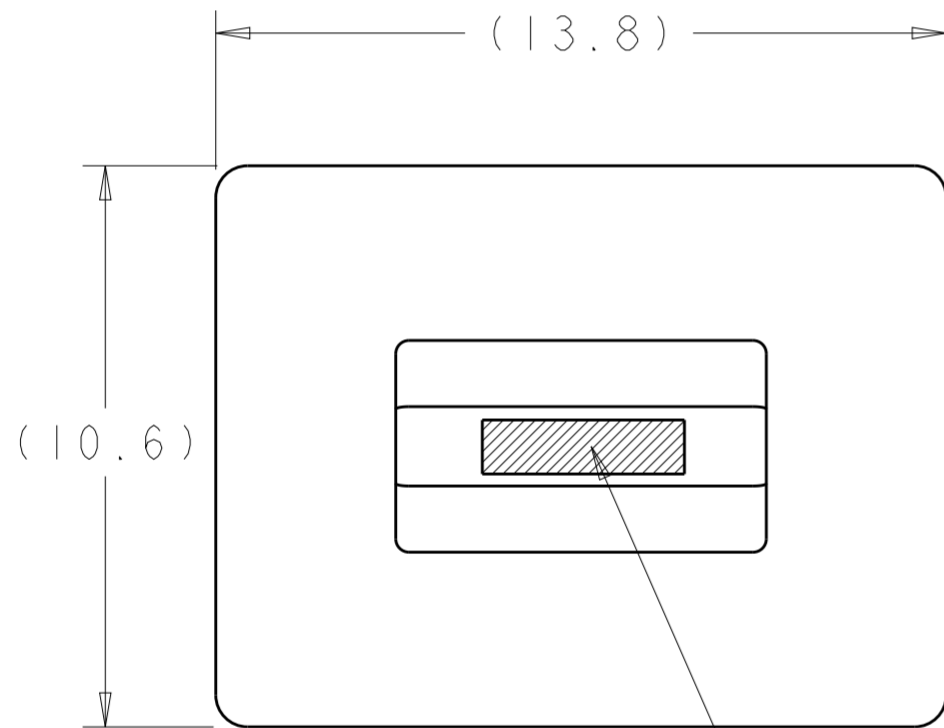
THIS DRAWING IS UNPUBLISHED. RELEASED FOR PUBLICATION 20
 © COPYRIGHT 20 TE Connectivity ALL RIGHTS RESERVED.

LOC	DIST	REVISIONS					
GP	00	P	LTR	DESCRIPTION	DATE	DWN	APVD
		C		REVISED PER ECR-11-016645	11AUG2011	KS	MQ.W
		CI		REVISED PER ECO-14-003476	10MAR2014	JW	SH



SCALE 5:1

⚠ THERMOPLASTIC MOLDING COMPOUND,
 MATERIAL FLAMMABILITY RATING: UL 94V-0
 ⚠ COMPANY LOGO IN APPROXIMATE AREA
 SHOWN.



1761394-1
 PART NUMBER

THIS DRAWING IS A CONTROLLED DOCUMENT.		DWN J. GERACE 15JUL04	TE Connectivity	
DIMENSIONS: mm		CHK J. KOPPENHEFFER 30SPR05		
TOLERANCES UNLESS OTHERWISE SPECIFIED:		APVD M. WALMSLEY 30APR05	NAME DUST COVER, GANGED AND STACKED, SFP	
0 PLC ± 1 PLC ±0.2 2 PLC ± 3 PLC ± 4 PLC ± ANGLES ± FINISH		PRODUCT SPEC -	SIZE A200779	DRAWING NO C-1761394
MATERIAL ⚠ -		APPLICATION SPEC -	RESTRICTED TO -	SCALE 7:1
		WEIGHT -	SHEET 1 OF 1	REV C1
		CUSTOMER DRAWING		

Mouser Electronics

Authorized Distributor

Click to View Pricing, Inventory, Delivery & Lifecycle Information:

[TE Connectivity:](#)

[1761394-1](#)