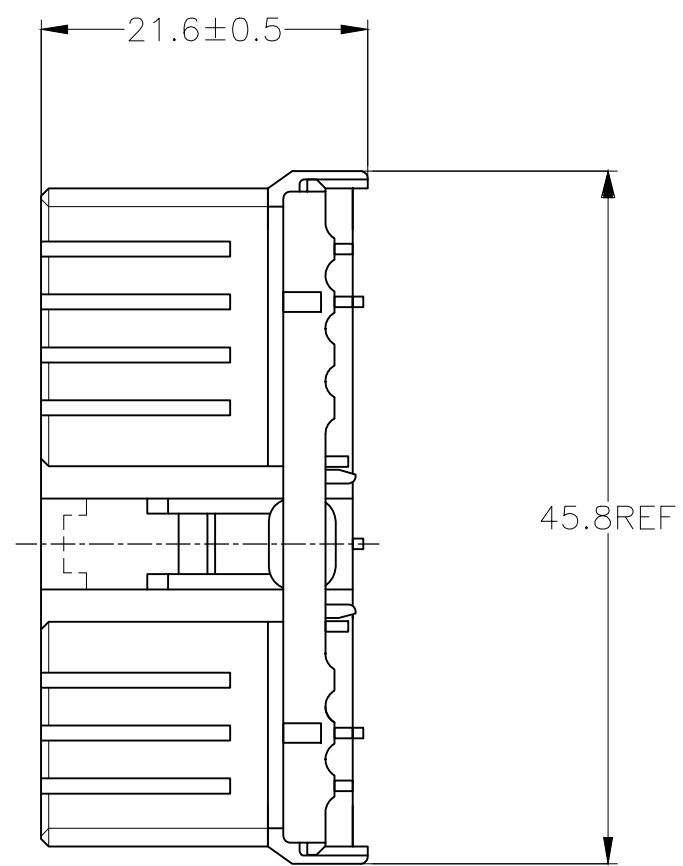
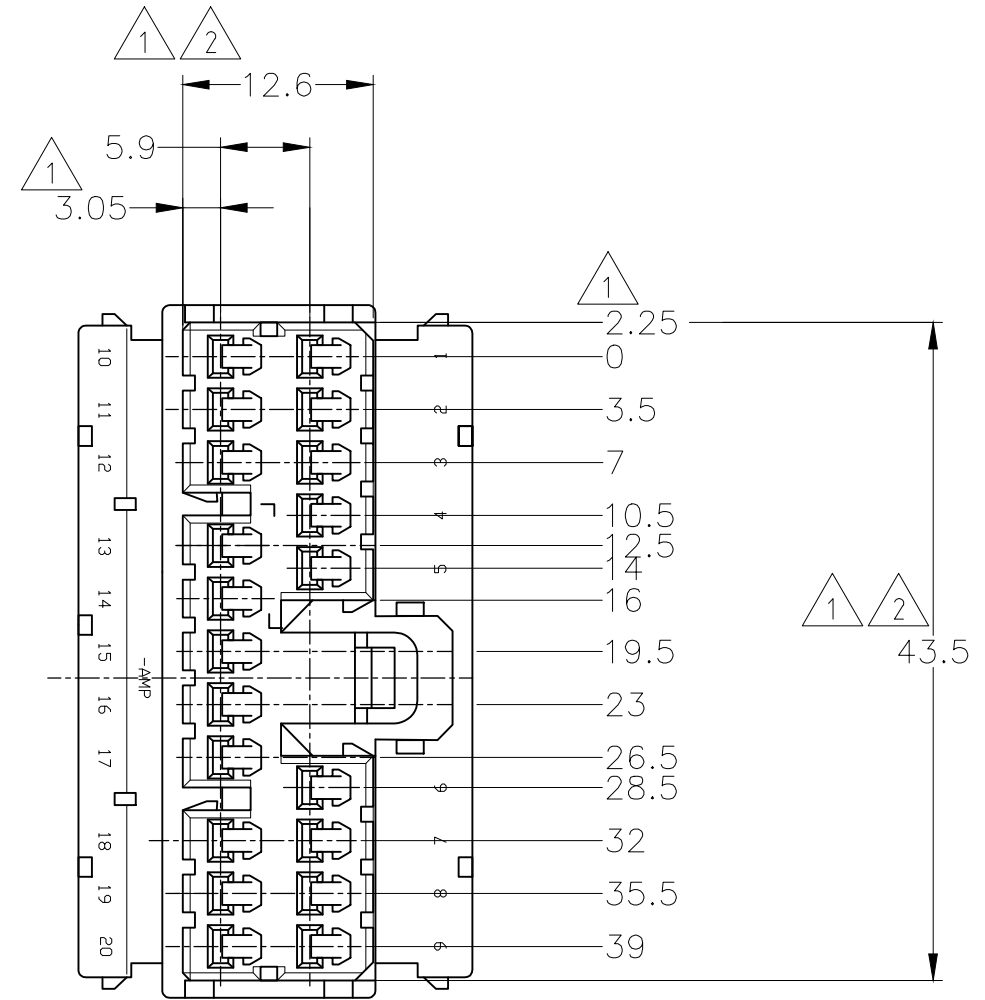
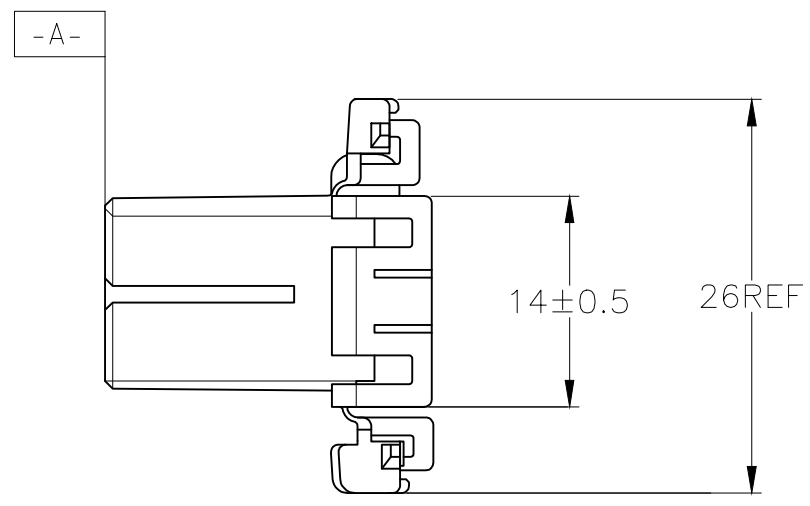


THIS DRAWING IS UNPUBLISHED. RELEASED FOR PUBLICATION  
 © COPYRIGHT - By - ALL RIGHTS RESERVED.

REVISIONS					
P	LTR	DESCRIPTION	DATE	DWN	APVD
	E4	REVISED	ECR-17-016951	17JUL2017	TS HY



1. MUST BE KEPT BETWEEN -A- AND 2
  2. TO BE MATED WITH PLUG HOUSING SMOOTHLY
  3. APPLIED TAB CONTACT; P/N 173630 AND 173631
  4. APPLIED CAP HOUSING; P/N 174936 etc
- 
1. -A- 面より2mmの範囲で測定
  2. 相手ハウジングと所定の機能を満足して嵌合できること
  3. 内装するタブコンタクトは型番173630、173631
  4. 嵌合相手ハウジング型番174936 他



V-2	自然色 (NATURAL)	1-174952-1
HB	黄 (YELLOW)	174952-7
	灰 (GRAY)	174952-6
	青 (BLUE)	174952-5
	緑 (GREEN)	174952-4
	自然色 (NATURAL)	174952-1
使用材料難燃グレード (FLAMMABILITY OF MATERIAL)		色 (COLOR) 型番 (PART NUMBER)

TOLERANCES UNLESS OTHERWISE SPECIFIED:  
 一般公差

10 >	±0.2
30 >	±0.25
> 30	±0.3
ANGLE	3°

THIS DRAWING IS A CONTROLLED DOCUMENT.

DIMENSIONS:	TOLERANCES UNLESS OTHERWISE SPECIFIED:
mm	0 PLC ± -
	1 PLC ± -
	2 PLC ± -
	3 PLC ± -
	4 PLC ± -
	ANGLES ± -
MATERIAL	FINISH
PBT	-

DWN	S.FUJITA	09DEC08	<b>STE</b> TE Connectivity
CHK	K.BETSUI	09DEC08	
APVD	K.BETSUI	09DEC08	
PRODUCT SPEC	NAME		
APPLICATION SPEC	070 SERIES MULTILOCK CONNECTOR 20POSITION PULG HOUSING		
WEIGHT	7.8 g	A300779	C=174952
CUSTOMER DRAWING			RESTRICTED TO
SCALE		2:1	SHEET 1 OF 1
REV		E4	

# Mouser Electronics

Authorized Distributor

Click to View Pricing, Inventory, Delivery & Lifecycle Information:

[TE Connectivity:](#)

[174952-1](#)