

THIS DRAWING IS UNPUBLISHED. RELEASED FOR PUBLICATION SEP. 2005.  
 © COPYRIGHT 2005 By - ALL RIGHTS RESERVED.

LOC	DIST	REVISIONS		
J	/	P	LTR	DESCRIPTION
				DATE
				DWN
				APVD
		F5		REVISED(ADD A NEW PN)
				23DEC2015
				A.X
				H.W

NOTICE: THIS COMMUNICATION INCLUDES TE CONNECTIVITY CONFIDENTIAL OR PROPRIETARY INFORMATION THAT MAY ALSO BE LEGALLY PRIVILEGED.


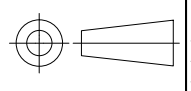
AVAILABLE	WITHOUT P/N	Au 0.1um MIN OVER PdNi 0.2um MIN	-	-	0.5	10.55	-	-	1.1	1.1	WITHOUT BOSS	EMBOSS PACKING (SEE SHEET 2)	WITHOUT FLANGE TYPE (SEE SHEET 6)	9-1747981-2
AVAILABLE	WITH P/N	Au 0.1um MIN OVER PdNi 0.2um MIN	-	M3 x 0.5	1.0	10.55	12.75	10.08	2.2	1.8	WITH BOSS	SOFT TRAY PACKING (SEE SHEET 4)	WITH FLANGE TYPE (SEE SHEET 7)	9-1747981-1
AVAILABLE	WITHOUT P/N	Au 0.1um MIN OVER PdNi 0.2um MIN	14.3	M3 x 0.5	0.5	10.05	10.95	7.98	2.2	1.8	WITHOUT BOSS	EMBOSS PACKING (SEE SHEET 3)	WITH FLANGE TYPE (SEE SHEET 7)	8-1747981-2 2-1747981-5
AVAILABLE	WITHOUT P/N	Au 0.1um MIN OVER PdNi 0.2um MIN	-	M3 x 0.5	0.5	10.05	10.95	7.98	2.2	1.8	WITHOUT BOSS	CLEAR TRAY PACKING (SEE SHEET 4)	WITH FLANGE TYPE (SEE SHEET 7)	8-1747981-1
AVAILABLE	WITHOUT P/N	Au 0.1um MIN OVER PdNi 0.2um MIN	-	M3 x 0.5	1.0	10.55	12.75	10.08	2.2	1.8	WITH BOSS	SOFT TRAY PACKING (SEE SHEET 4)	WITH FLANGE TYPE (SEE SHEET 7)	3-1747981-1
NOT AVAILABLE	WITHOUT P/N	Au 0.1um MIN OVER PdNi 0.2um MIN	16.3	#4-40 UNC	0.5	10.55	12.75	10.08	2.2	1.8	WITH BOSS	EMBOSS PACKING (SEE SHEET 3)	WITH FLANGE TYPE (SEE SHEET 7)	2-1747981-4
AVAILABLE	WITHOUT P/N	Au 0.76um MIN	16.3	M3 x 0.5	1.0	10.55	12.75	10.08	2.2	1.8	WITHOUT BOSS	EMBOSS PACKING (SEE SHEET 3)	WITH FLANGE TYPE (SEE SHEET 7)	2-1747981-3
NOT AVAILABLE	WITHOUT P/N	Au 0.1um MIN OVER PdNi 0.2um MIN	-	#4-40 UNC	0.5	10.05	12.75	10.08	2.2	1.8	WITHOUT BOSS	HARDTRAY PACKING (-)	WITH FLANGE TYPE (SEE SHEET 7)	2-1747981-2
AVAILABLE	WITHOUT P/N	Au 0.76um MIN	-	M3 x 0.5	1.0	10.55	12.75	10.08	2.2	1.8	WITHOUT BOSS	SOFT TRAY PACKING (SEE SHEET 4)	WITH FLANGE TYPE (SEE SHEET 7)	2-1747981-1
AVAILABLE	WITHOUT P/N	Au 0.1um MIN OVER PdNi 0.2um MIN	-	M3 x 0.5	1.0	10.55	12.75	10.08	1.5	1.5	WITHOUT BOSS	SOFT TRAY PACKING (SEE SHEET 4)	WITH FLANGE TYPE (SEE SHEET 7)	1-1747981-8
AVAILABLE	WITHOUT P/N	Au 0.1um MIN OVER PdNi 0.2um MIN	16.3	M3 x 0.5	1.0	10.55	12.75	10.08	2.2	1.8	WITHOUT BOSS	EMBOSS PACKING (SEE SHEET 3)	WITH FLANGE TYPE (SEE SHEET 7)	1-1747981-7
AVAILABLE	WITHOUT P/N	Au 0.1um MIN OVER PdNi 0.2um MIN	-	M3 x 0.5	0.5	10.05	10.95	7.98	2.2	1.8	WITHOUT BOSS	SOFT TRAY PACKING (SEE SHEET 5)	WITH FLANGE TYPE (SEE SHEET 7)	1-1747981-6
AVAILABLE	WITHOUT P/N	Au 0.1um MIN OVER PdNi 0.2um MIN	14.3	M3 x 0.5	0.5	10.05	10.95	7.98	1.5	1.5	WITHOUT BOSS	EMBOSS PACKING (SEE SHEET 3)	WITH FLANGE TYPE (SEE SHEET 7)	1-1747981-5
AVAILABLE	WITHOUT P/N	Au 0.1um MIN OVER PdNi 0.2um MIN	-	M3 x 0.5	1.0	10.55	12.75	10.08	2.2	1.8	WITHOUT BOSS	SOFT TRAY PACKING (SEE SHEET 4)	WITH FLANGE TYPE (SEE SHEET 7)	1-1747981-4
AVAILABLE	WITHOUT P/N	Au 0.1um MIN OVER PdNi 0.2um MIN	-	#4-40 UNC	0.5	10.05	12.75	10.08	2.2	1.8	WITHOUT BOSS	SOFT TRAY PACKING (SEE SHEET 4)	WITH FLANGE TYPE (SEE SHEET 7)	1-1747981-3
AVAILABLE	WITHOUT P/N	Au 0.1um MIN OVER PdNi 0.2um MIN	-	M3 x 0.5	0.5	10.05	10.95	7.98	1.5	1.5	WITHOUT BOSS	SOFT TRAY PACKING (SEE SHEET 4)	WITH FLANGE TYPE (SEE SHEET 7)	1-1747981-2
AVAILABLE	WITHOUT P/N	Au 0.1um MIN OVER PdNi 0.2um MIN	-	M3 x 0.5	0.5	10.05	10.95	7.98	2.2	1.8	WITHOUT BOSS	SOFT TRAY PACKING (SEE SHEET 4)	WITH FLANGE TYPE (SEE SHEET 7)	1-1747981-1
AVAILABLE	WITHOUT P/N	Au 0.1um MIN OVER PdNi 0.2um MIN	-	-	0.5	10.05	-	-	1.5	1.5	WITHOUT BOSS	EMBOSS PACKING (SEE SHEET 2)	WITHOUT FLANGE TYPE (SEE SHEET 6)	1747981-2
AVAILABLE	WITHOUT P/N	Au 0.1um MIN OVER PdNi 0.2um MIN	-	-	0.5	10.05	-	-	2.2	1.8	WITHOUT BOSS	EMBOSS PACKING (SEE SHEET 2)	WITHOUT FLANGE TYPE (SEE SHEET 6)	1747981-1

TOOL STATUS	PART NUMBER MARKING	CONTACT AREA PLATING SPEC	CONTACT AREA	DIM H	SCREW SIZE DIM G	DIM F	DIM E	DIM D	DIM C	DIM B	DIM A	BOSS	PACKING	CONNECTOR TYPE	PART NUMBER
-------------	---------------------	---------------------------	--------------	-------	------------------	-------	-------	-------	-------	-------	-------	------	---------	----------------	-------------

1 CONTACT COPLANALITY IS 0.1 MAXIMUM.  
 THIS DIMENSION MEANS CENTER OF THE POCKET.  
 FINISH  
 CONTACT: CONTACT AREA J: SEE TABLE  
 2um MIN Sn PLATING ON SOLDERING AREA  
 2um MIN Ni UNDER PLATING ALL OVER  
 SHELL: 1um MIN Sn PLATING ALL OVER  
 1um MIN Ni UNDER PLATING ALL OVER

REFER TO THE TABLE FOR BOSS.  
 SCREW SIZE  
 PART NUMBER MAKING

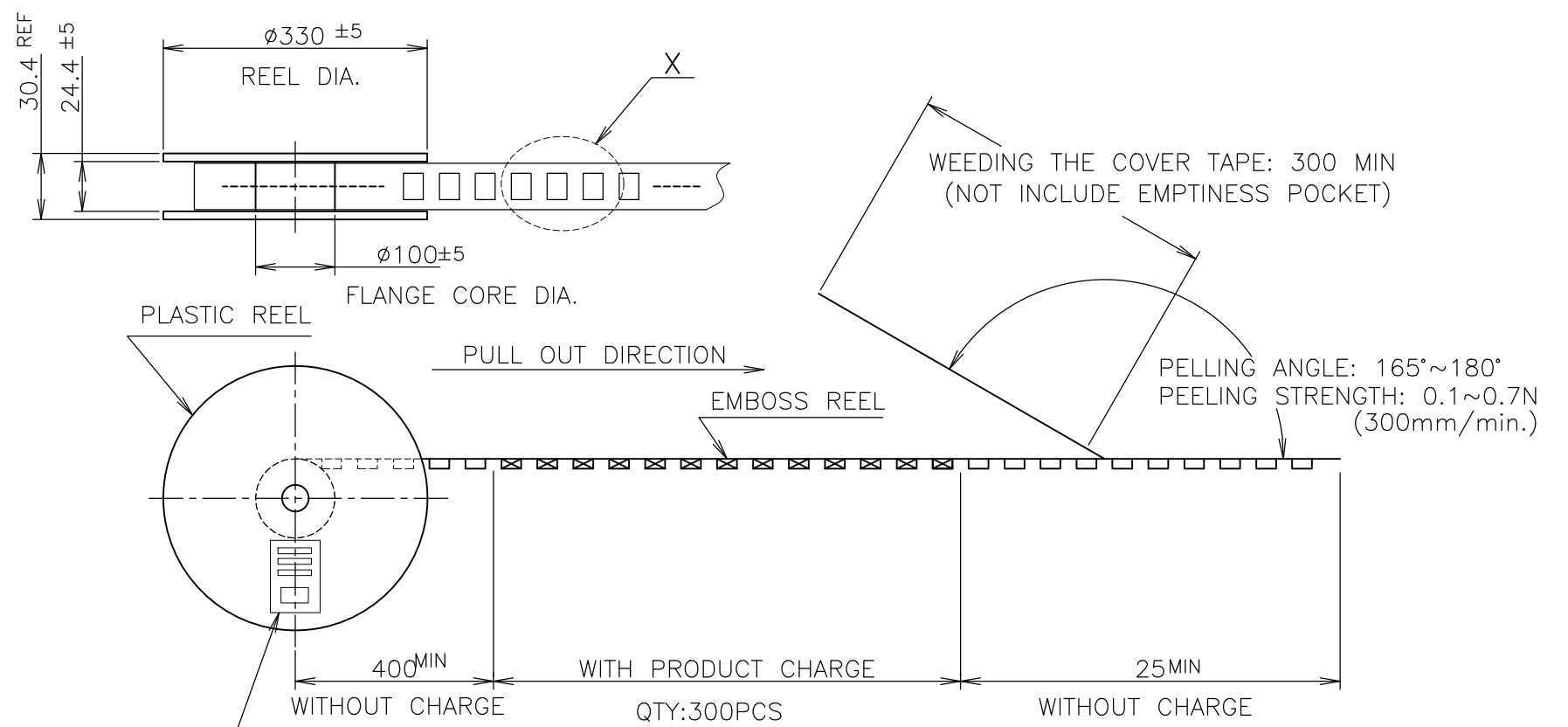
THIS DRAWING IS A CONTROLLED DOCUMENT.

DIMENSIONS: 单位: 毫米 mm	TOLERANCES UNLESS OTHERWISE SPECIFIED: 一般公差	DWN Y.HIRATA 15SEP2005	 <b>TE Connectivity</b>
	0 PLC ± 0.2	CHK T.KIMURA 15SEP2005	
	1 PLC ± 0.2	APVD K.IKEGAMI 15SEP2005	
	2 PLC ± 0.2	NAME 名称	
3 PLC ± 0.2	PRODUCT SPEC 製品規格	HDMI 19 POS RECEPTACLE ASSY SMT TYPE -LEAD FREE-	
4 PLC ± 0.2	APPLICATION SPEC 取付適用規格	SIZE CAGE CODE DRAWING NO 番号	
ANGLES ±	FINISH 仕上	A3 00779 C-1747981	
MATERIAL 材料	WEIGHT	RESTRICTED TO	
CUSTOMER DRAWING		SCALE 尺度 NTS SHEET 1 OF 8 REV F5	

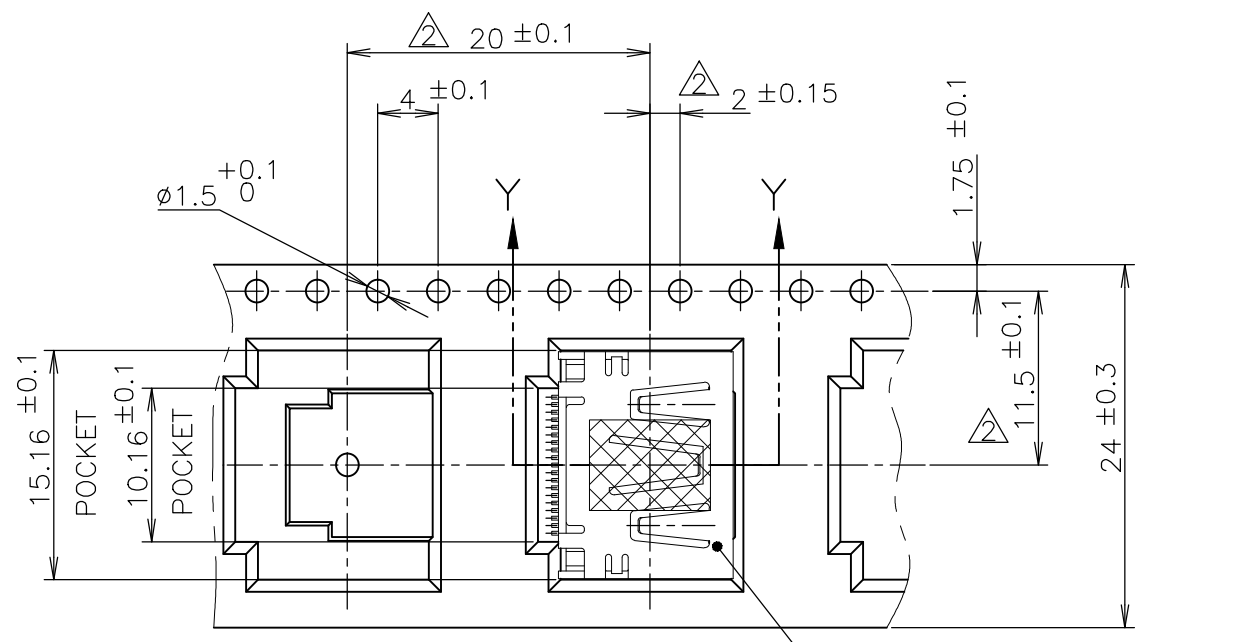
THIS DRAWING IS UNPUBLISHED. RELEASED FOR PUBLICATION SEP ,2005.  
 © COPYRIGHT 2005 By - ALL RIGHTS RESERVED.

LOC	DIST	REVISIONS		
J	/	P	LTR	DESCRIPTION
		-		SEE SHEET 1
			DATE	DWN
			-	-
			APVD	-

NOTICE: THIS COMMUNICATION INCLUDES TE CONNECTIVITY CONFIDENTIAL OR PROPRIETARY INFORMATION THAT MAY ALSO BE LEGALLY PRIVILEGED.

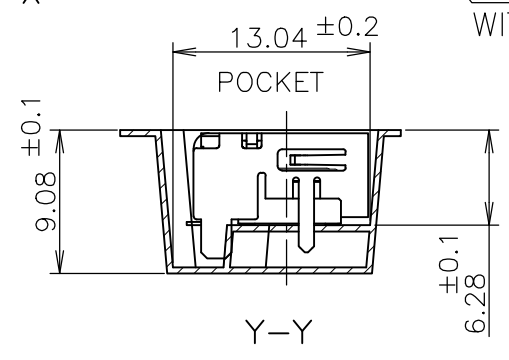


LABEL DESCRIPTION  
 TE CONNECTIVITY P/N.: 1747981-\*  
 QTY: 300 pcs  
 D/C:  
 MADE IN CHINA



DETAIL X

CONNECTOR WITHOUT FLANGE TYPE



Y-Y

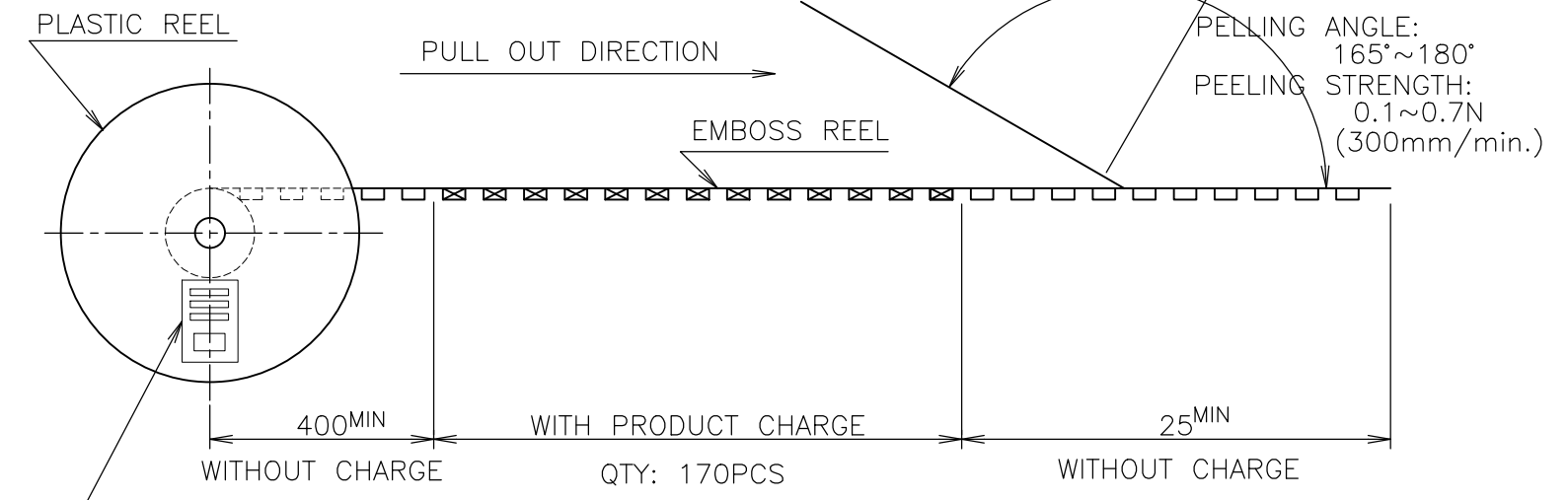
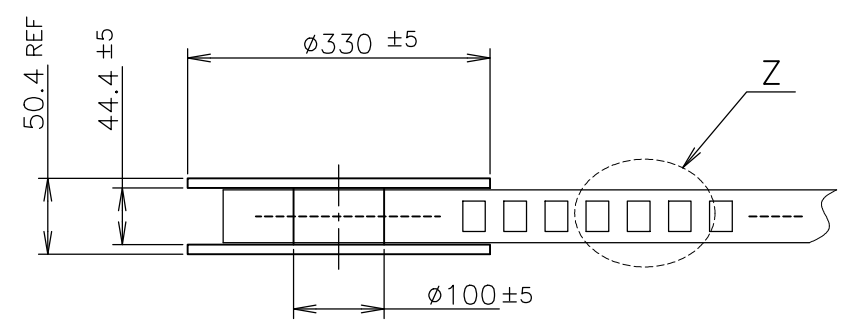
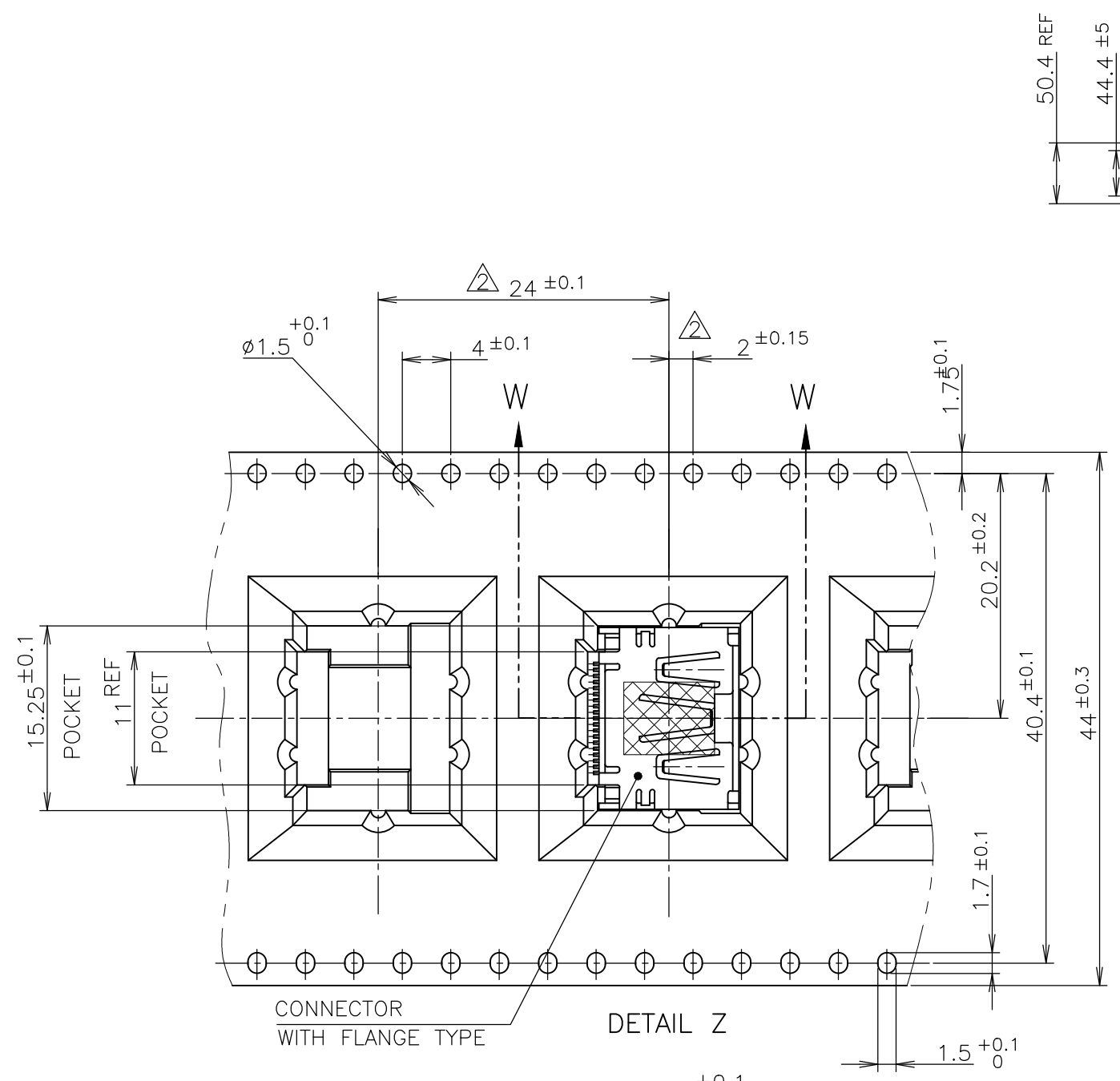
300	WITHOUT FLANGE TYPE	9-1747981-2
300	WITHOUT FLANGE TYPE	1747981-2
300	WITHOUT FLANGE TYPE	1747981-1
QTY	CONNECTOR TYPE	PART NUMBER

THIS DRAWING IS A CONTROLLED DOCUMENT.		DWN	TE Connectivity HDMI 19 POS RECEPTACLE ASSY SMT TYPE -LEAD FREE-			
DIMENSIONS: 單位: 耗 mm		CHK				NAME 名稱
TOLERANCES UNLESS OTHERWISE SPECIFIED: 一般公差		APVD				PRODUCT SPEC 製品規格
0 PLC ± 0.2 1 PLC ± 0.2 2 PLC ± 0.2 3 PLC ± 0.2 4 PLC ± 0.2 ANGLES ± -		PRODUCT SPEC 製品規格				APPLICATION SPEC 取付適用規格
MATERIAL 材料		WEIGHT	SIZE	CAGE CODE	DRAWING NO 番号	RESTRICTED TO
FINISH 仕上		CUSTOMER DRAWING		A3	00779	G-1747981
		SCALE 尺度 NTS		SHEET 2 OF 8		REV F5

THIS DRAWING IS UNPUBLISHED. RELEASED FOR PUBLICATION SEP, 2005.  
 © COPYRIGHT 2005 By - ALL RIGHTS RESERVED.

LOC	DIST	REVISIONS		
J	/	P	LTR	DESCRIPTION
		-		SEE SHEET 1
			DATE	DWN
			-	-
			APVD	-

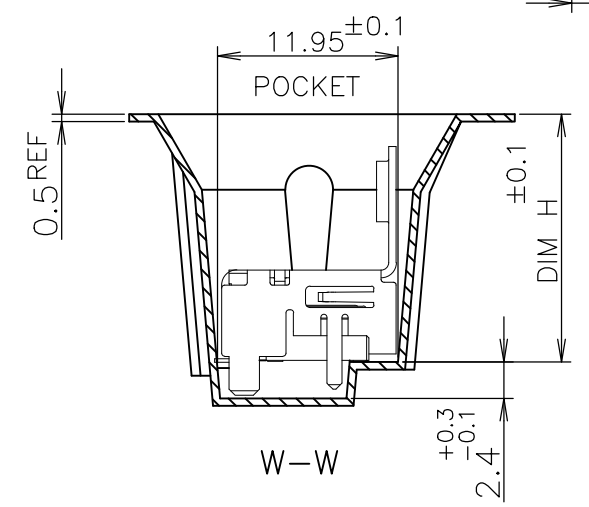
NOTICE: THIS COMMUNICATION INCLUDES TE CONNECTIVITY CONFIDENTIAL OR PROPRIETARY INFORMATION THAT MAY ALSO BE LEGALLY PRIVILEGED.



TE CONNECTIVITY P/N.: \*-1747981-\*  
 QTY: 170 pcs  
 D/C:  
 MADE IN CHINA

WEEDING THE COVER TAPE : 300 MIN (NOT INCLUDE EMPTINESS POCKET)  
 PEELING ANGLE: 165°~180°  
 PEELING STRENGTH: 0.1~0.7N (300mm/min.)

CONNECTOR WITH FLANGE TYPE  
 DETAIL Z

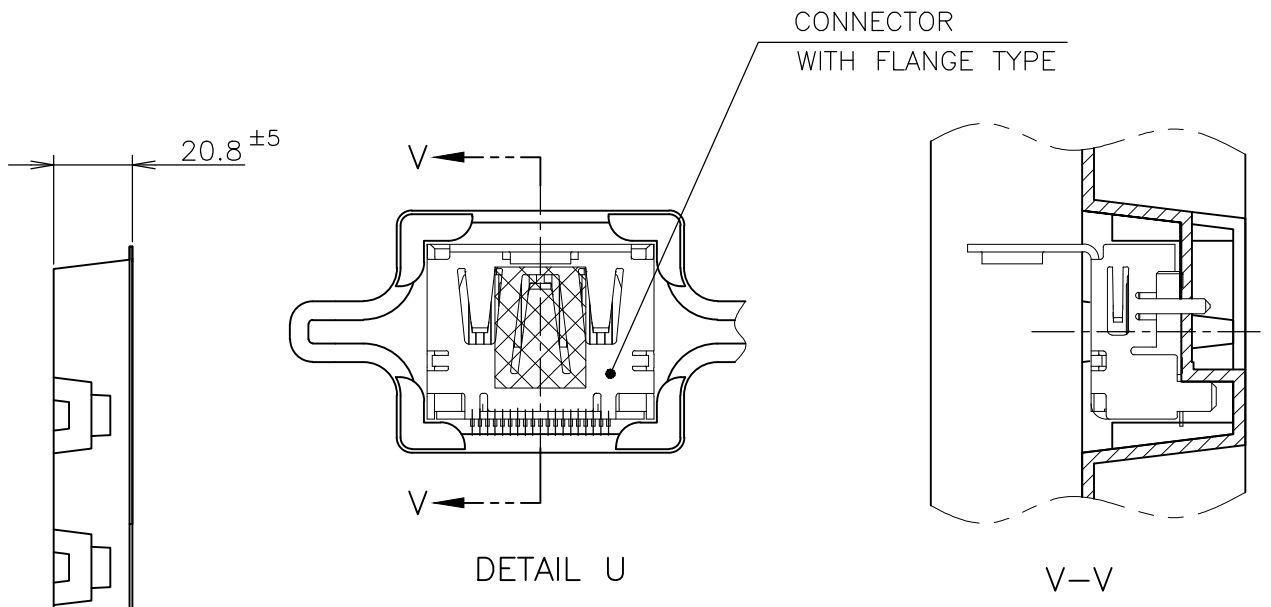
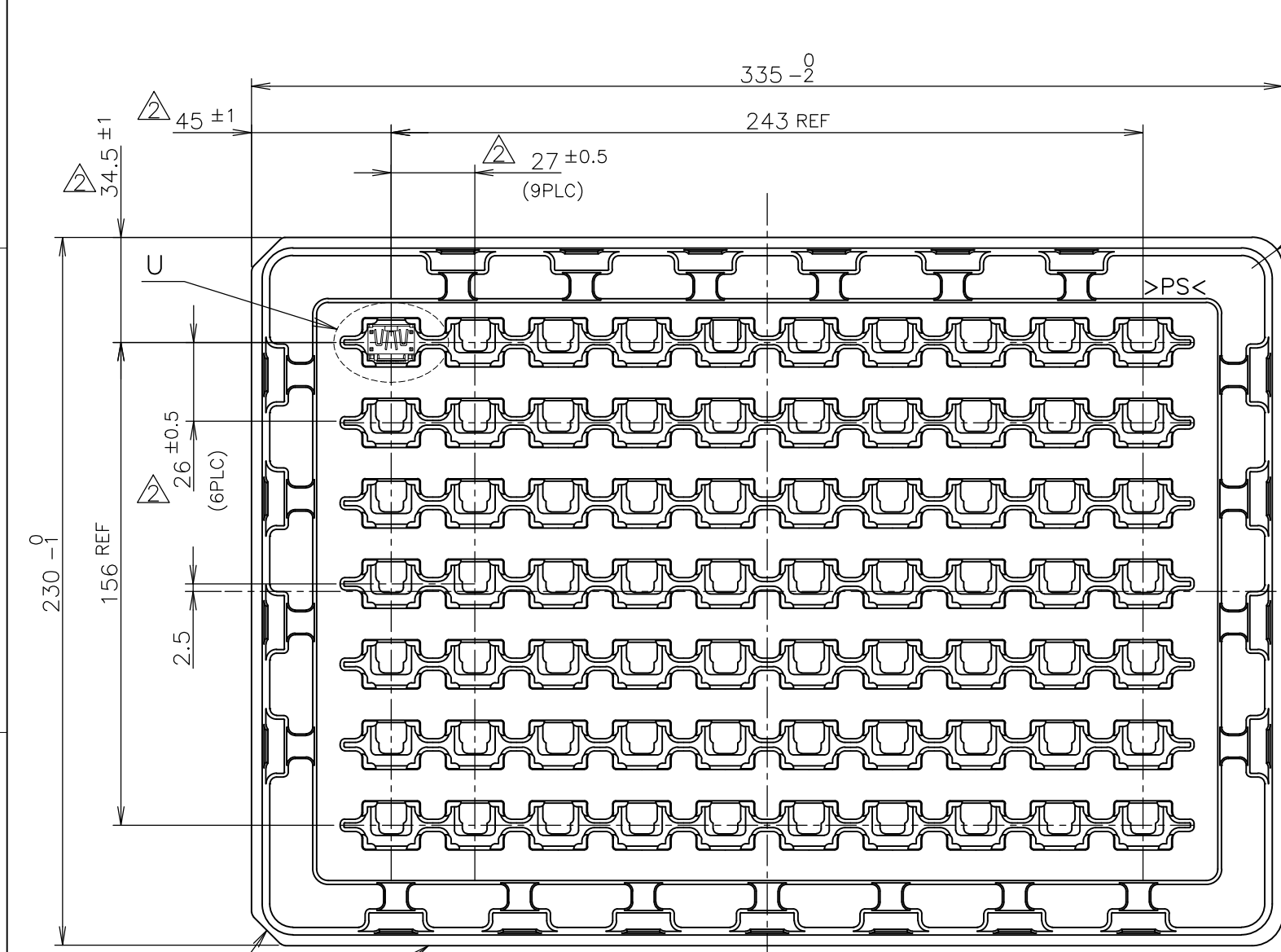


170	WITH FLANGE TYPE	8-1747981-2
170	WITH FLANGE TYPE	2-1747981-5
170	WITH FLANGE TYPE	2-1747981-4
170	WITH FLANGE TYPE	2-1747981-3
170	WITH FLANGE TYPE	1-1747981-7
170	WITH FLANGE TYPE	1-1747981-5
QTY	CONNECTOR TYPE	PART NUMBER

THIS DRAWING IS A CONTROLLED DOCUMENT.		DWN	<b>STE</b> TE Connectivity		
DIMENSIONS: 单位: 耗 mm		CHK			
TOLERANCES UNLESS OTHERWISE SPECIFIED: 一般公差		APVD	NAME 名称		
0 PLC ± 0.2		PRODUCT SPEC 製品規格		HDMI 19 POS	
1 PLC ± 0.2		108-78180-1		RECEPTACLE ASSY SMT TYPE	
2 PLC ± 0.2		APPLICATION SPEC 取付適用規格		-LEAD FREE-	
3 PLC ± 0.2		SIZE	CAGE CODE	DRAWING NO 番号	RESTRICTED TO
4 PLC ± 0.2		A3 00779		G-1747981	-
ANGLES ± -		CUSTOMER DRAWING		SCALE 尺度 NTS	SHEET 3 OF 8
FINISH 仕上				REV F5	

THIS DRAWING IS UNPUBLISHED. RELEASED FOR PUBLICATION SEP , 2005.  
 © COPYRIGHT 2005 By - ALL RIGHTS RESERVED.

LOC	DIST	REVISIONS					
J	/	P	LTR	DESCRIPTION	DATE	DWN	APVD
		-		SEE SHEET 1	-	-	-



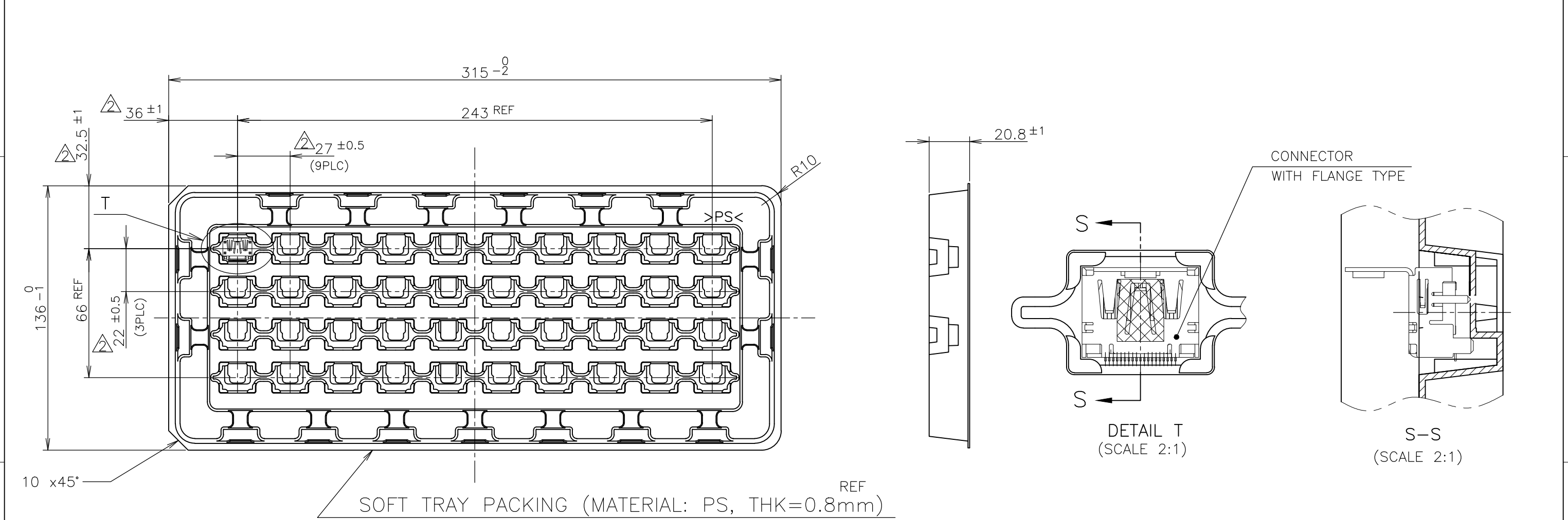
70	WITH FLANGE TYPE	9-1747981-1
70	WITH FLANGE TYPE	8-1747981-1
70	WITH FLANGE TYPE	3-1747981-1
70	WITH FLANGE TYPE	2-1747981-1
70	WITH FLANGE TYPE	1-1747981-8
70	WITH FLANGE TYPE	1-1747981-4
70	WITH FLANGE TYPE	1-1747981-3
70	WITH FLANGE TYPE	1-1747981-2
70	WITH FLANGE TYPE	1-1747981-1
QTY	CONNECTOR TYPE	PART NUMBER

NOTICE: THIS COMMUNICATION INCLUDES TE CONNECTIVITY CONFIDENTIAL OR PROPRIETARY INFORMATION THAT MAY ALSO BE LEGALLY PRIVILEGED.

THIS DRAWING IS A CONTROLLED DOCUMENT.		DWN		<b>STE</b> TE Connectivity	
DIMENSIONS: 单位: 耗 mm		CHK			
TOLERANCES UNLESS OTHERWISE SPECIFIED: 一般公差		APVD		NAME 名称	
0 PLC ± 0.2		PRODUCT SPEC 製品規格		HDMI 19 POS	
1 PLC ± 0.2		APPLICATION SPEC 取付適用規格		RECEPTACLE ASSY SMT TYPE	
2 PLC ± 0.2 ± 0.3		WEIGHT		-LEAD FREE-	
3 PLC ± 0.2		CUSTOMER DRAWING		SIZE CAGE CODE DRAWING NO 番号	
4 PLC ± 0.2		SCALE 尺度 NTS		A3 00779 C-1747981	
ANGLES ± -		SHEET 4 OF 8		RESTRICTED TO	
FINISH 仕上		REV F5			

THIS DRAWING IS UNPUBLISHED. RELEASED FOR PUBLICATION SEP , 2005.  
 © COPYRIGHT 2005 By - ALL RIGHTS RESERVED.

LOC	DIST	REVISIONS					
J	/	P	LTR	DESCRIPTION	DATE	DWN	APVD
		-		SEE SHEET 1	-	-	-



NOTICE: THIS COMMUNICATION INCLUDES TE CONNECTIVITY CONFIDENTIAL OR PROPRIETARY INFORMATION THAT MAY ALSO BE LEGALLY PRIVILEGED.

THIS DRAWING IS A CONTROLLED DOCUMENT.

DIMENSIONS: 単位: 耗 mm	TOLERANCES UNLESS OTHERWISE SPECIFIED: 一般公差
	0 PLC ±0.2 1 PLC ±0.2 2 PLC ±0.2 3 PLC ±0.2 4 PLC ±0.2 ANGLES ±-
MATERIAL 材料	FINISH 仕上

40	WITH FLANGE TYPE	1-1747981-6
QTY	CONNECTOR TYPE	PART NUMBER
DWN	TE Connectivity	
CHK		
APVD	NAME 名称	
PRODUCT SPEC 製品規格	HDMI 19 POS	
APPLICATION SPEC 取付適用規格	RECEPTACLE ASSY SMT TYPE	
WEIGHT	SIZE	RESTRICTED TO
CUSTOMER DRAWING	A3 00779	-
	DRAWING NO 番号	SCALE 尺度
	C-1747981	NTS
	SHEET	REV
	5 OF 8	F5

THIS DRAWING IS UNPUBLISHED.

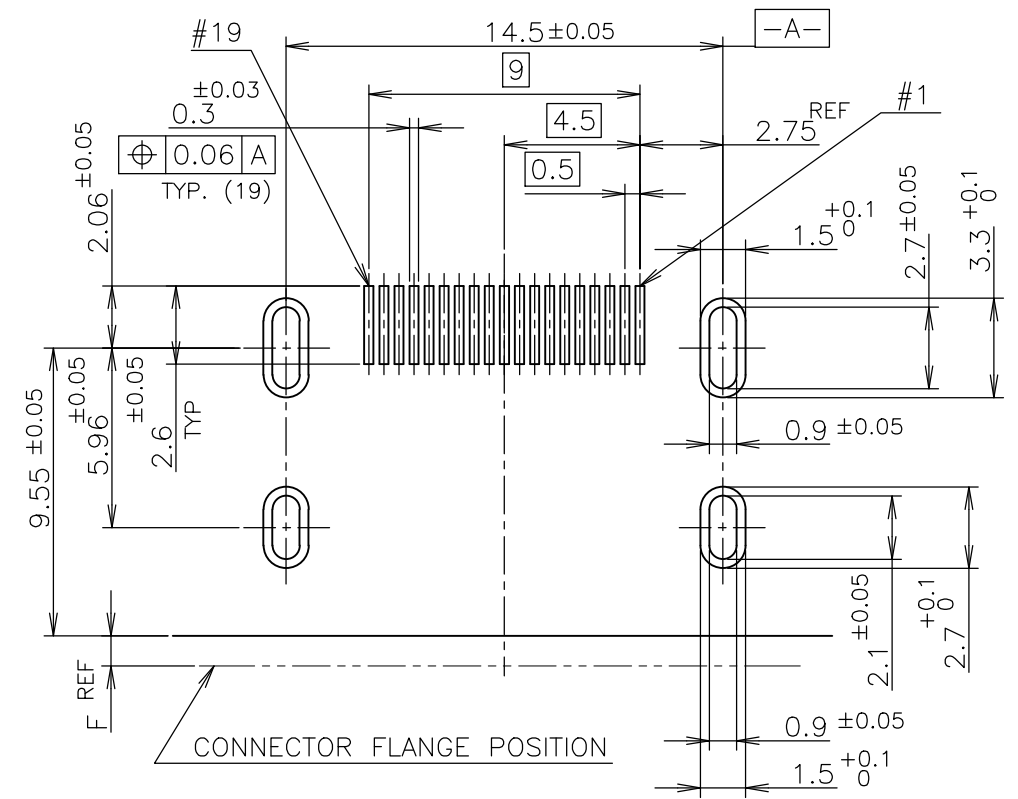
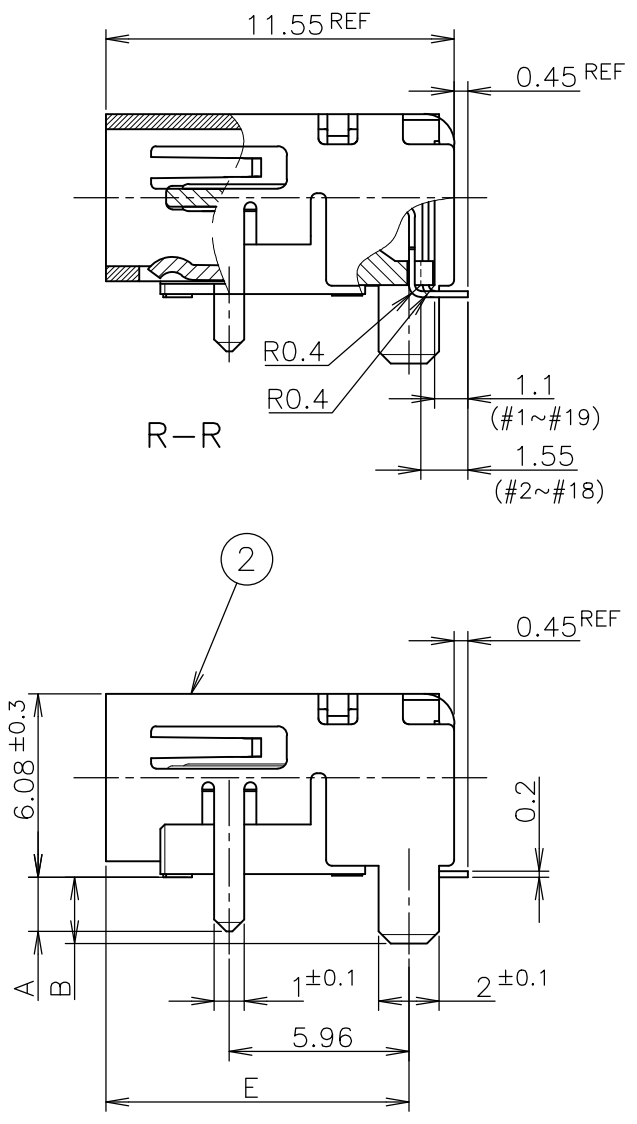
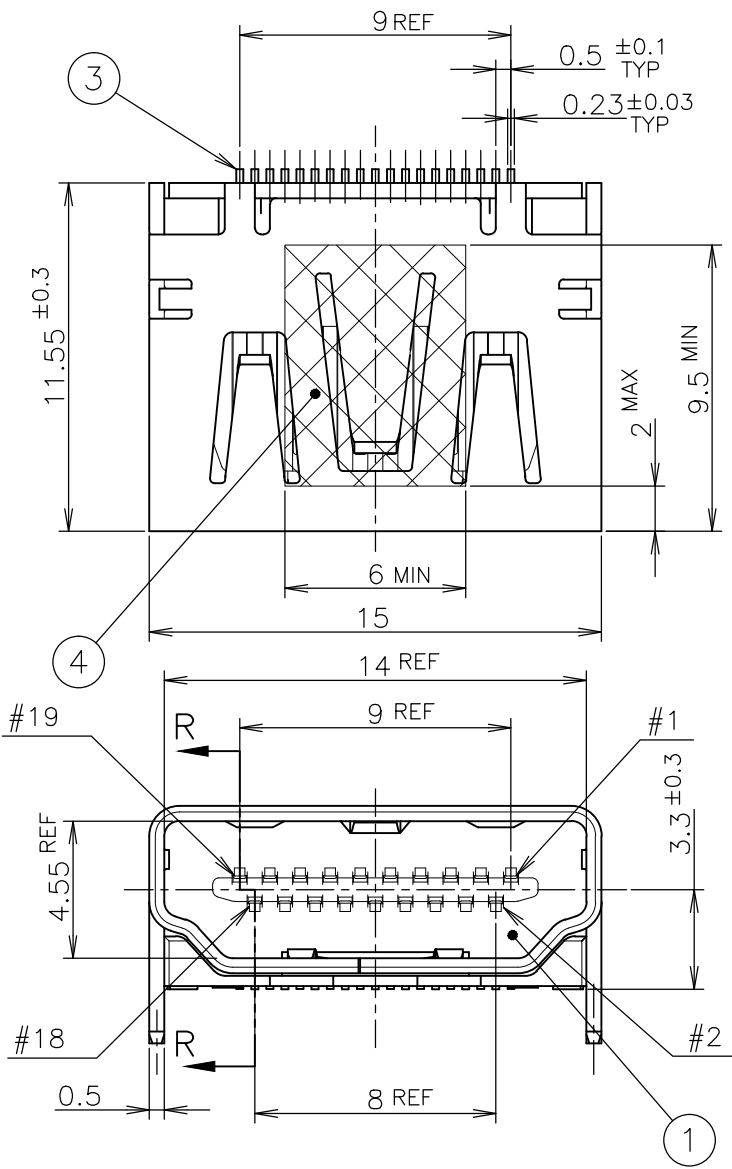
RELEASED FOR PUBLICATION

SEP .2005.

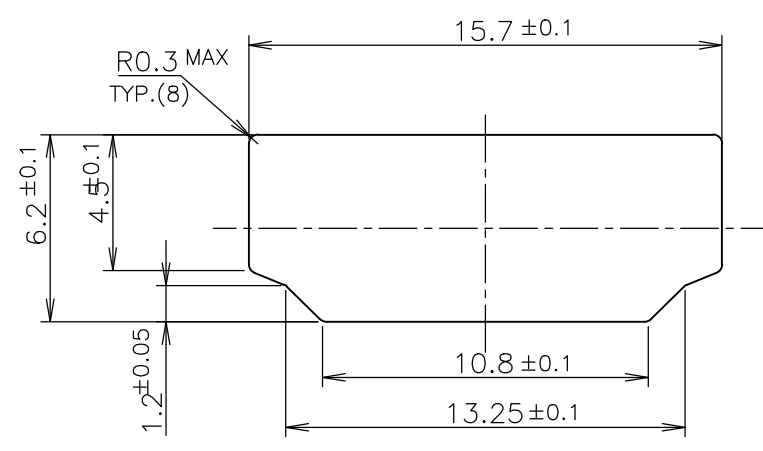
© COPYRIGHT 2005 By -

ALL RIGHTS RESERVED.

LOC	DIST	REVISIONS			DATE	DWN	APVD
		P	LTR	DESCRIPTION			
J				SEE SHEET 1	-	-	-



P.C.B LAYOUT  
 SHOWN AS CONNECTOR MOUNTING SIDE  
 TOLERANCE: NON-CUMULATIVE  
 (REFERENCE)



PANEL CUT OUT DIMENSION  
 (REFERENCE)

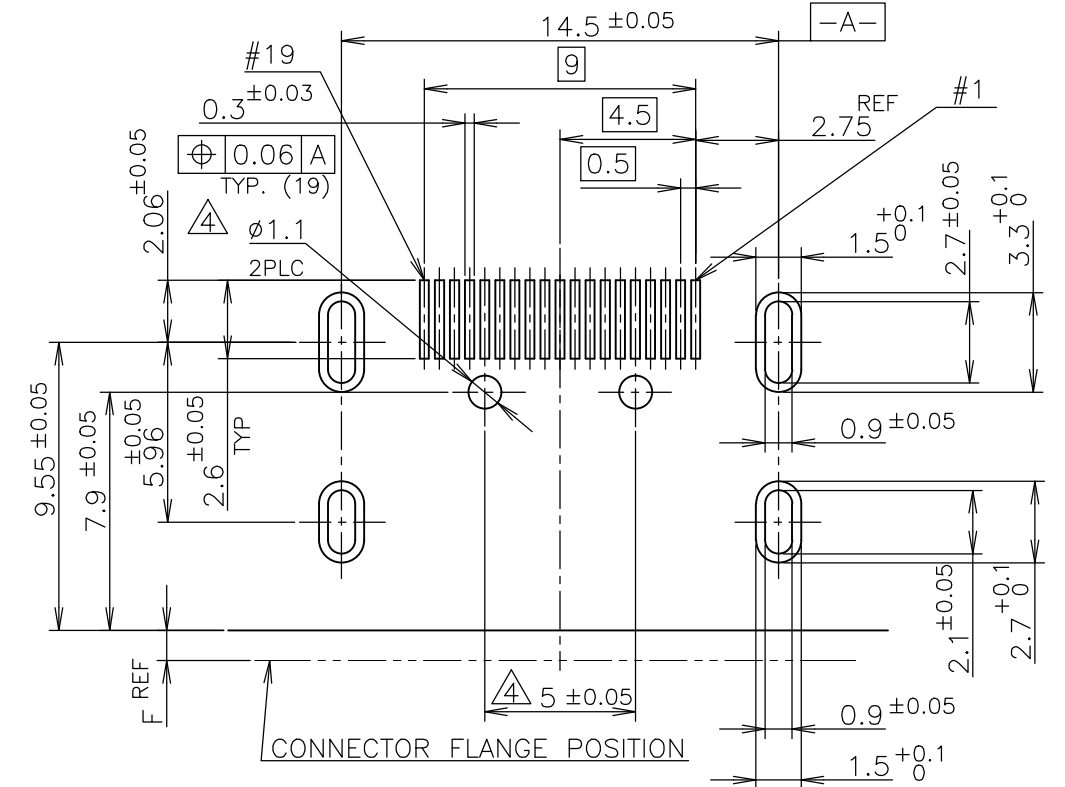
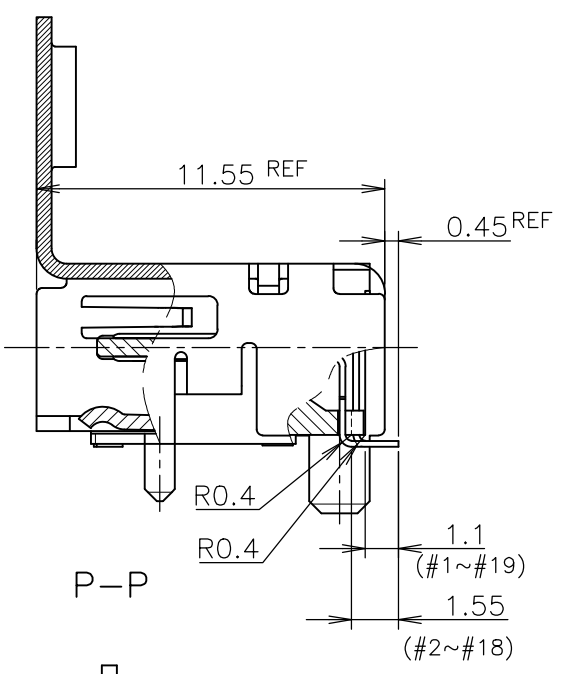
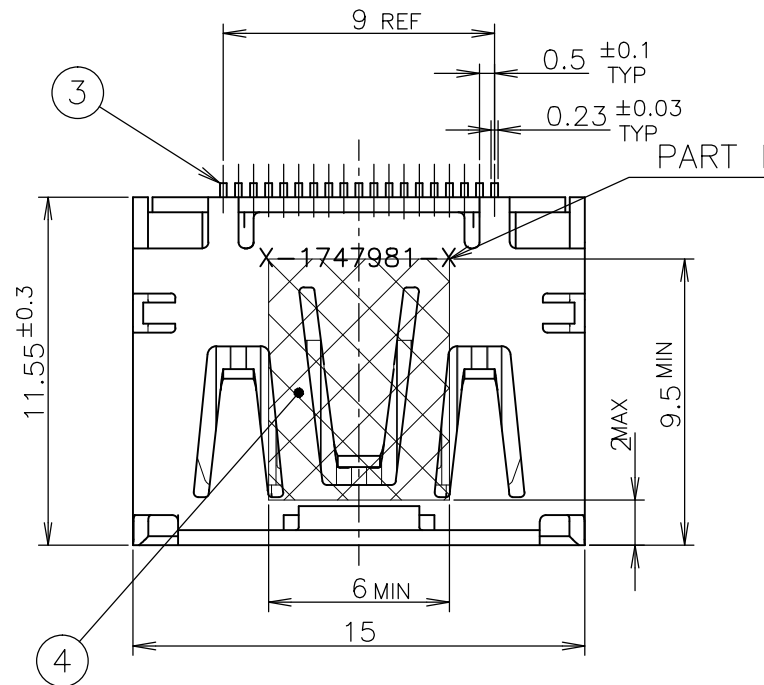
### CONNECTOR WITHOUT FLANGE TYPE

NOTICE: THIS COMMUNICATION INCLUDES TE CONNECTIVITY CONFIDENTIAL OR PROPRIETARY INFORMATION THAT MAY ALSO BE LEGALLY PRIVILEGED.

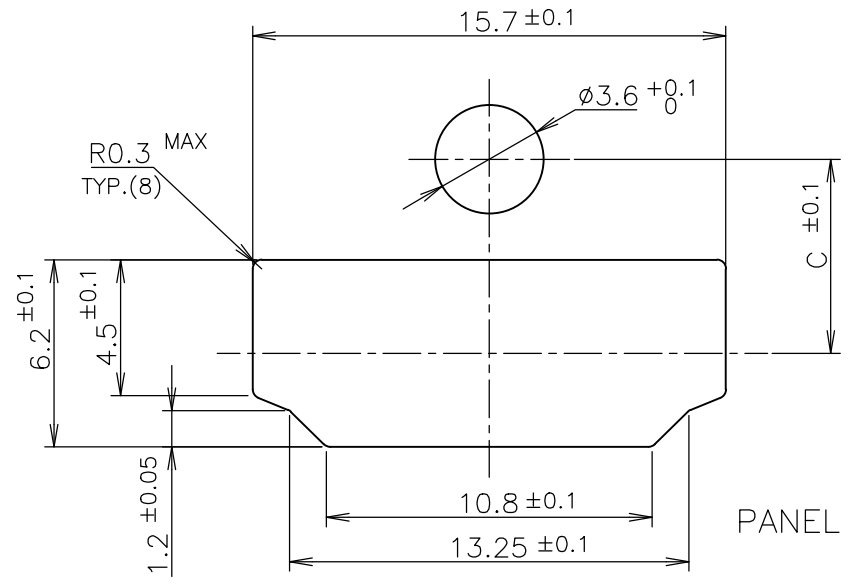
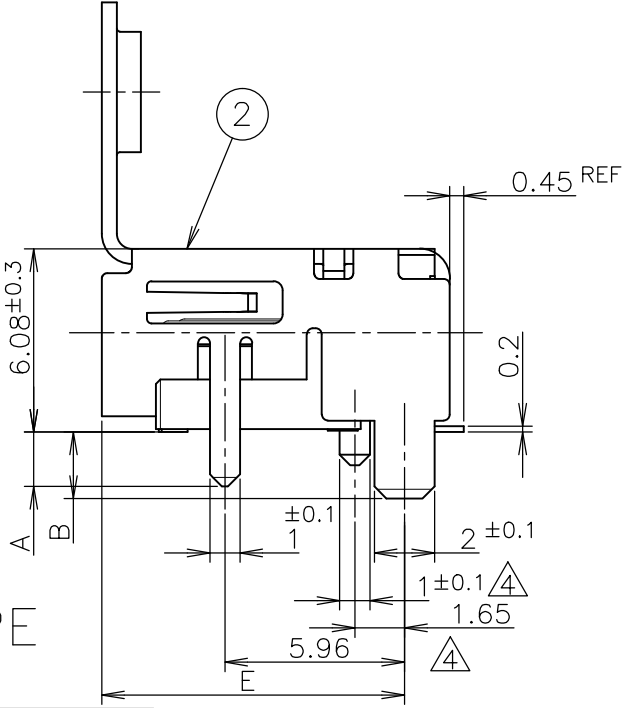
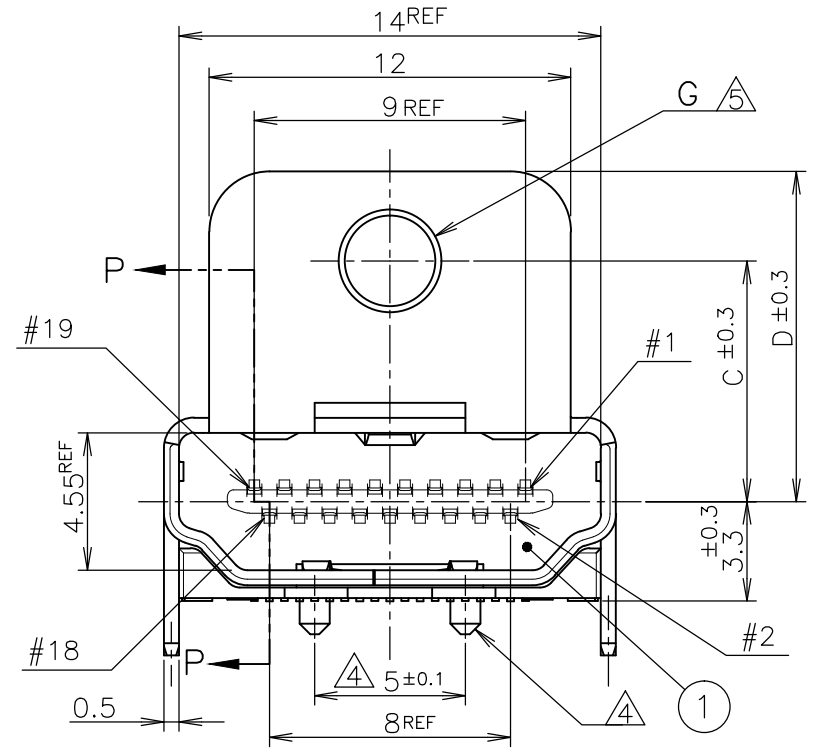
FINISH	MATERIAL	QTY	DISCRIPTION	ITEM
	POLYIMIDE	1	POLYIMIDE TAPE	④
	COPPER ALLOY	19	CONTACT	③
	COPPER ALLOY	1	SHELL	②
	THERMOPLASTIC UL94V-0, BLACK COLOR	1	HOUSING	①

THIS DRAWING IS A CONTROLLED DOCUMENT.		DWN		TE Connectivity	
DIMENSIONS: 單位: 耗 mm		CHK			
TOLERANCES UNLESS OTHERWISE SPECIFIED: 一般公差		APVD		NAME 名称	
0 PLC ± 0.2 1 PLC ± 0.2 2 PLC ± 0.2 3 PLC ± 0.2 4 PLC ± 0.2 ANGLES ± -		PRODUCT SPEC 製品規格 108-78180-1		HDMI 19 POS RECEPTACLE ASSY SMT TYPE -LEAD FREE-	
MATERIAL 材料		FINISH 仕上		SIZE	
				CAGE CODE	
				DRAWING NO 番号	
				RESTRICTED TO	
				A300779	
				G-1747981	
				SCALE 尺度 4:1	
				SHEET 6 of 8	
				REV F5	

LOC	DIST	REVISIONS					
		P	LTR	DESCRIPTION	DATE	DWN	APVD
J		-	-	SEE SHEET 1	-	-	-



P.C.B LAYOUT  
SHOWN AS CONNECTOR MOUNTING SIDE  
TOLERANCE: NON-CUMULATIVE  
(REFERENCE)



PANEL CUT OUT DIMENSION  
(REFERENCE)

CONNECTOR WITH FLANGE TYPE

NOTICE: THIS COMMUNICATION INCLUDES TE CONNECTIVITY CONFIDENTIAL OR PROPRIETARY INFORMATION THAT MAY ALSO BE LEGALLY PRIVILEGED.

FINISH	MATERIAL	QTY	DISCRIPTION	ITEM
	POLYIMIDE	1	POLYIMIDE TAPE	④
	COPPER ALLOY	19	CONTACT	③
	COPPER ALLOY	1	SHELL	②
	THERMOPLASTIC UL94V-0, BLACK COLOR	1	HOUSING	①

THIS DRAWING IS A CONTROLLED DOCUMENT.

DIMENSIONS: 単位: 耗 mm	TOLERANCES UNLESS OTHERWISE SPECIFIED: 一般公差
	0 PLC ± 0.2
	1 PLC ± 0.2
	2 PLC ± 0.2
	3 PLC ± 0.2
	4 PLC ± 0.2
	ANGLES ±
MATERIAL 材料	FINISH 仕上

DWN
CHK
APVD
PRODUCT SPEC 製品規格
APPLICATION SPEC 取付適用規格
WEIGHT
CUSTOMER DRAWING

**STE** TE Connectivity

NAME  
名称

HDMI 19 POS  
RECEPTACLE ASSY SMT TYPE  
-LEAD FREE-

SIZE CAGE CODE DRAWING NO  
番号

A3 00779 C-1747981

RESTRICTED TO

SCALE  
尺度 NTS

SHEET  
7 of 8

REV  
F5

4

3

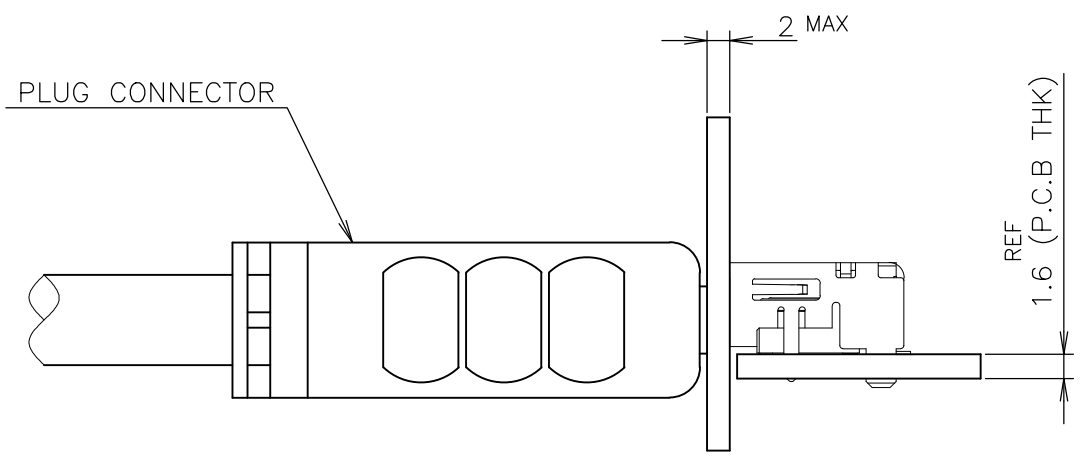
2

1

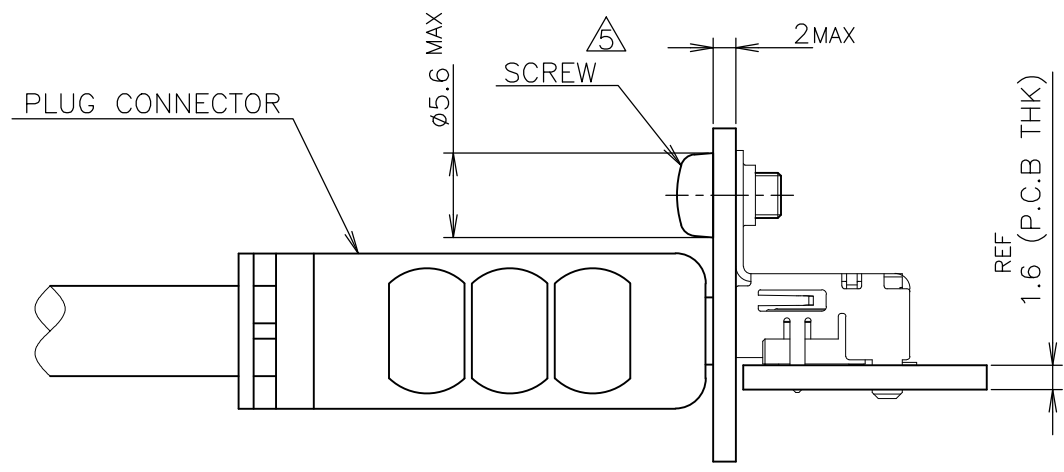
THIS DRAWING IS UNPUBLISHED. RELEASED FOR PUBLICATION SEP, 2005.  
 © COPYRIGHT 2005 By - ALL RIGHTS RESERVED.

LOC	DIST	REVISIONS					
J	/	P	LTR	DESCRIPTION	DATE	DWN	APVD
		-		SEE SHEET 1	-	-	-

NOTICE: THIS COMMUNICATION INCLUDES TE CONNECTIVITY CONFIDENTIAL OR PROPRIETARY INFORMATION THAT MAY ALSO BE LEGALLY PRIVILEGED.



CONNECTOR WITHOUT FLANGE TYPE



CONNECTOR WITH FLANGE TYPE

MATING CONDITION (REFERENCE)  
(SCALE 2:1)

THIS DRAWING IS A CONTROLLED DOCUMENT.		DWN	<b>STE</b> TE Connectivity		
DIMENSIONS: 单位: 耗 mm		CHK			
TOLERANCES UNLESS OTHERWISE SPECIFIED: 一般公差		APVD	NAME 名称		
0 PLC ± 0.2		PRODUCT SPEC	HDMI 19 POS		
1 PLC ± 0.2		製品規格	RECEPTACLE ASSY SMT TYPE		
2 PLC ± 0.2		108-78180-1	-LEAD FREE-		
3 PLC ± 0.2		APPLICATION SPEC	SIZE	CAGE CODE	DRAWING NO
4 PLC ± 0.2		取付適用規格	A3	00779	C-1747981
ANGLES ± -		WEIGHT	RESTRICTED TO		
FINISH 仕上		CUSTOMER DRAWING		SCALE 尺度	SHEET 8 of 8
MATERIAL 材料				2:1	REV F5



# Mouser Electronics

Authorized Distributor

Click to View Pricing, Inventory, Delivery & Lifecycle Information:

[TE Connectivity:](#)

[1-1747981-2](#)