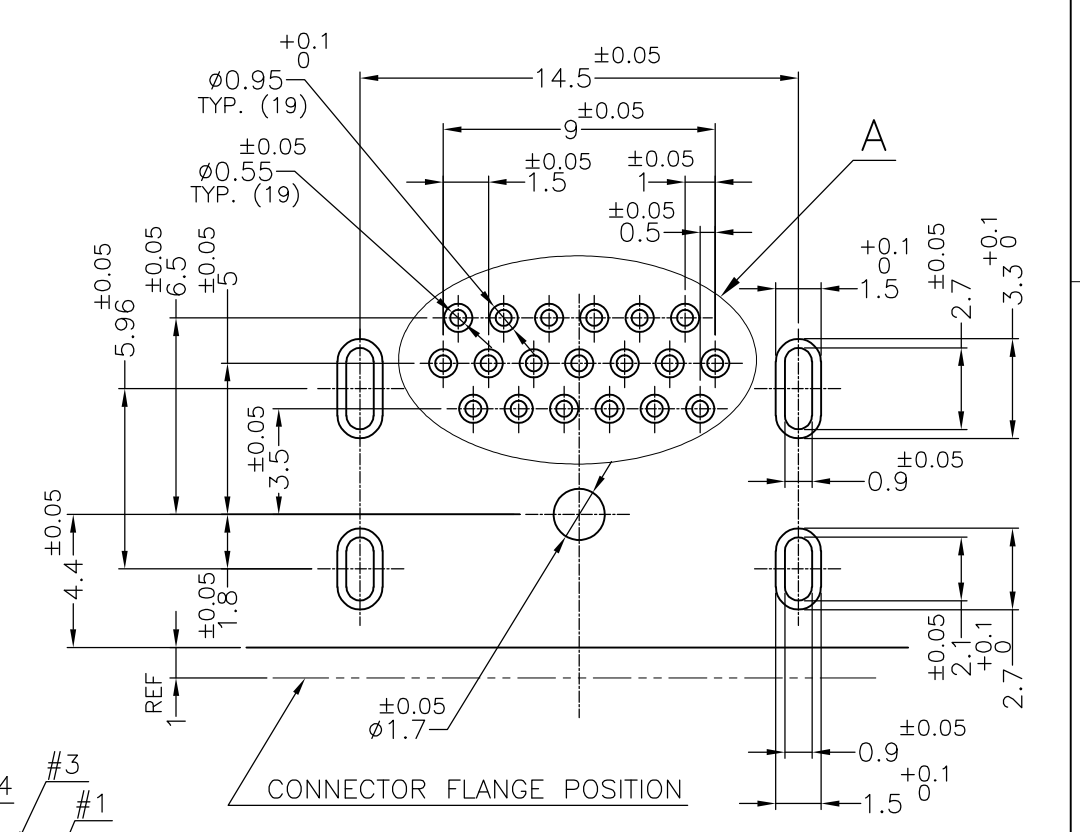
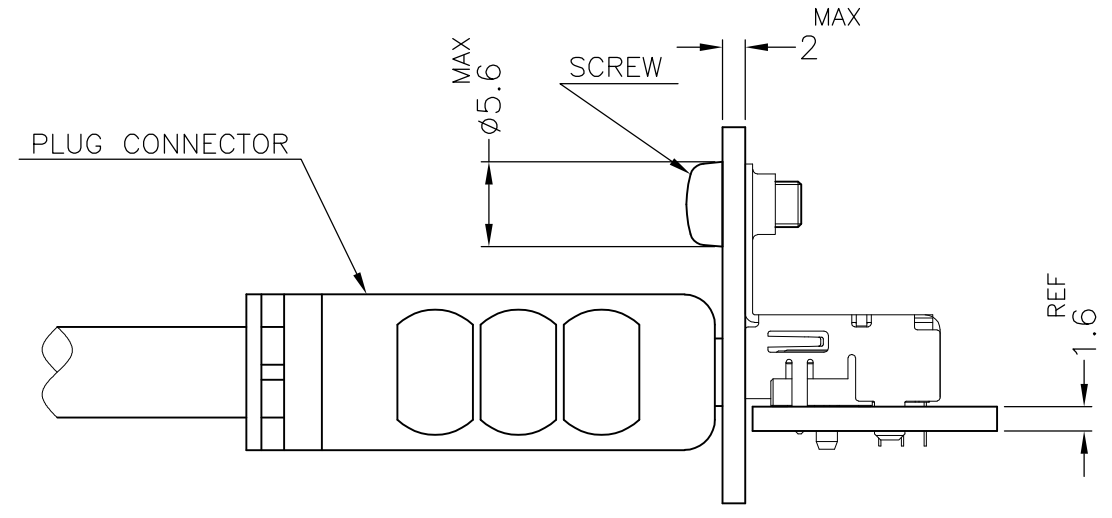
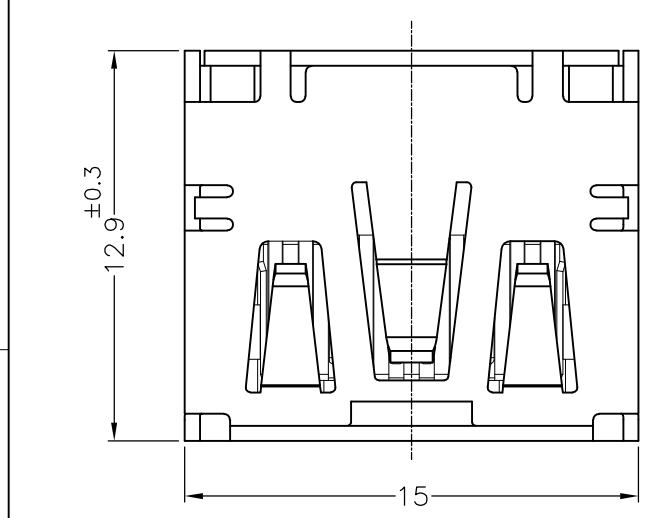
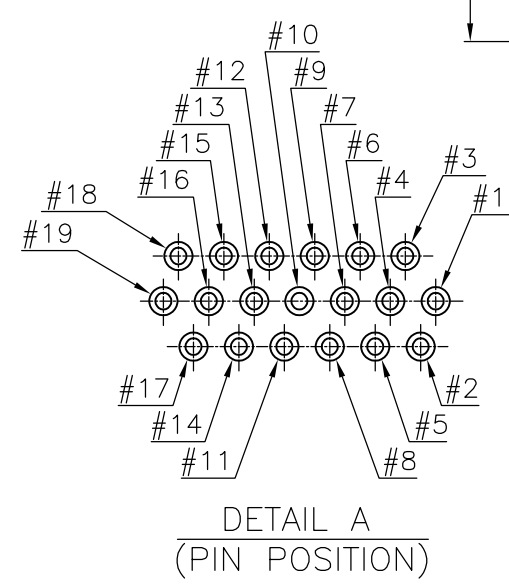
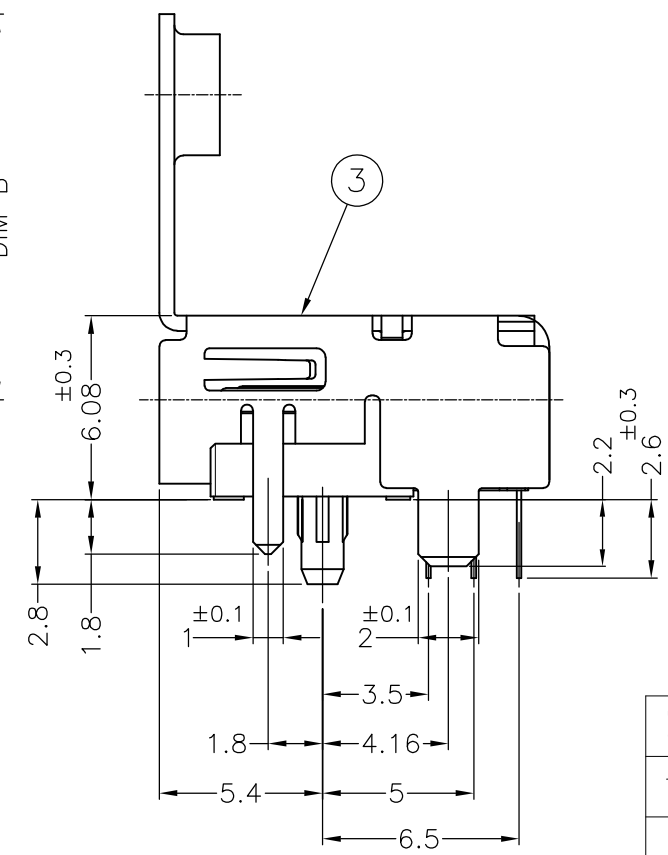
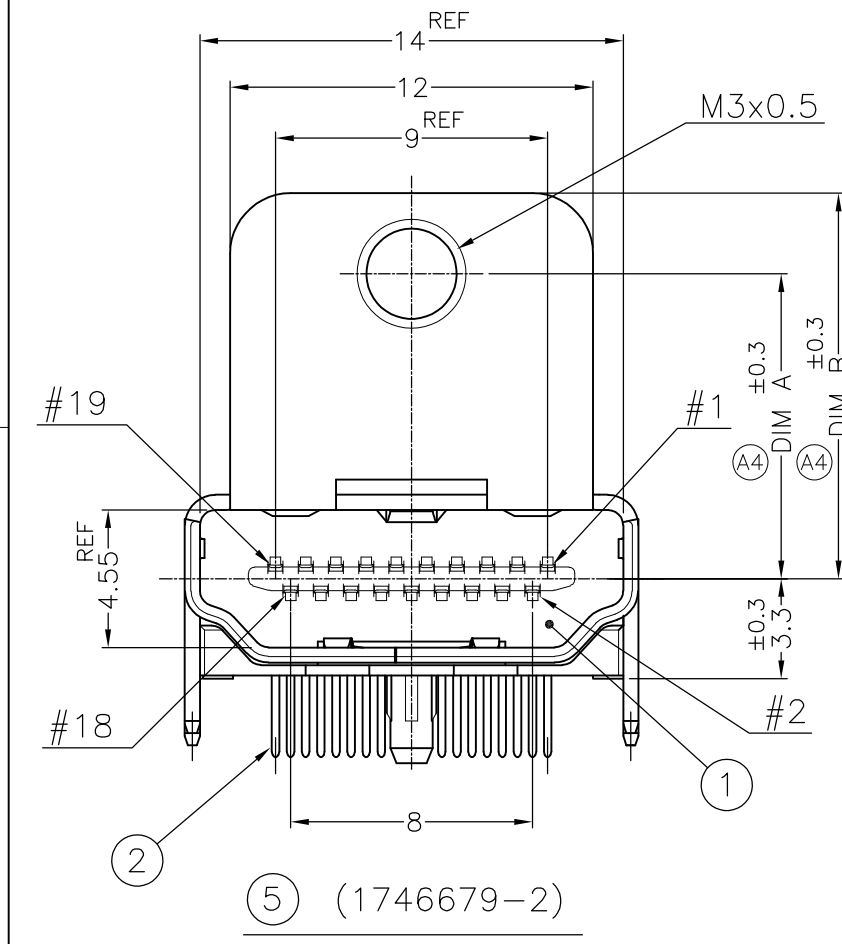


THIS DRAWING IS UNPUBLISHED. RELEASED FOR PUBLICATION
 © COPYRIGHT - By - ALL RIGHTS RESERVED.

LOC	DIST	REVISIONS			
P	LTR	DESCRIPTION	DATE	DWN	APVD
J	-	B1	REVISED PER ECO-11-005030	11MAR11	RK HMR



MATING CONDITION (REFERENCE)
(SCALE 2:1)



DETAIL A
(PIN POSITION)

P.C.B LAYOUT
 SHOWN AS CONNECTOR MOUNTING SIDE
 TOLERANCE: NON-CUMULATIVE
 (REFERENCE)

FINISH	MATERIAL	QTY.	DISCRIPTION	ITEM
CONTACT AREA: Au 0.3µm MIN. SOLDERING AREA: TIN, ALL OVER UNDER Ni	COPPER ALLOY	19	CONTACT	③
Tin (MATTE), ALL OVER UNDER Ni	COPPER ALLOY	1	SHELL	②
	THERMOPLASTIC UL94V-0, BLACK COLOR	1	HOUSING	①

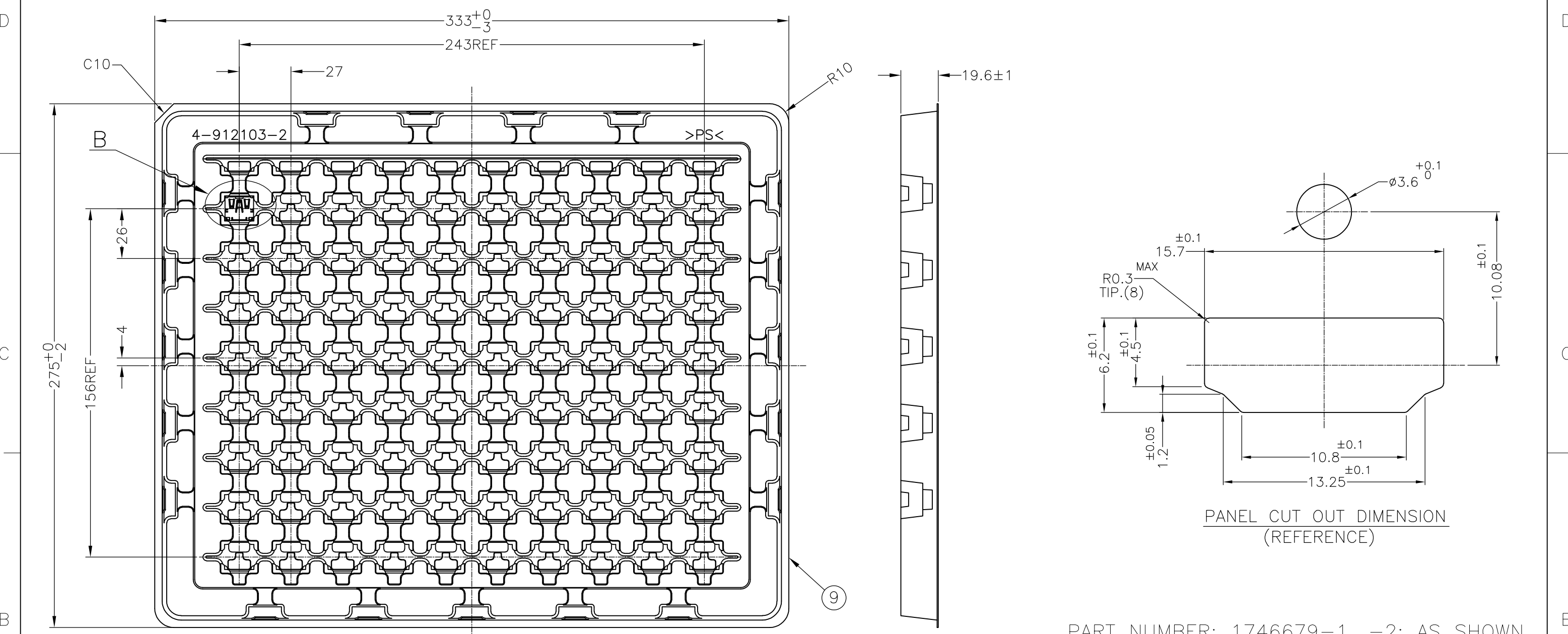
P/N ②	DIM B	DIM A
1746679-2	12.75	10.08
1746679-1	11.97	9

THIS DRAWING IS A CONTROLLED DOCUMENT.

DWN Y. HIRATA	15SEPT2004	STE TE Connectivity			
CHK T. KIMURA	15SEP2004				
APVD K. IKEGAMI	15SEP2004				
PRODUCT SPEC					
108-78180		NAME			
APPLICATION SPEC		HDMI 19 POS RECEPTACLE ASSY DIP TYPE -LEAD FREE-			
MATERIAL	FINISH	SIZE	CAGE CODE	DRAWING NO	RESTRICTED TO
		A3	00779	C-1746679	
CUSTOMER DRAWING		SCALE	SHEET	REV	
		4:1	1 OF 2	B1	

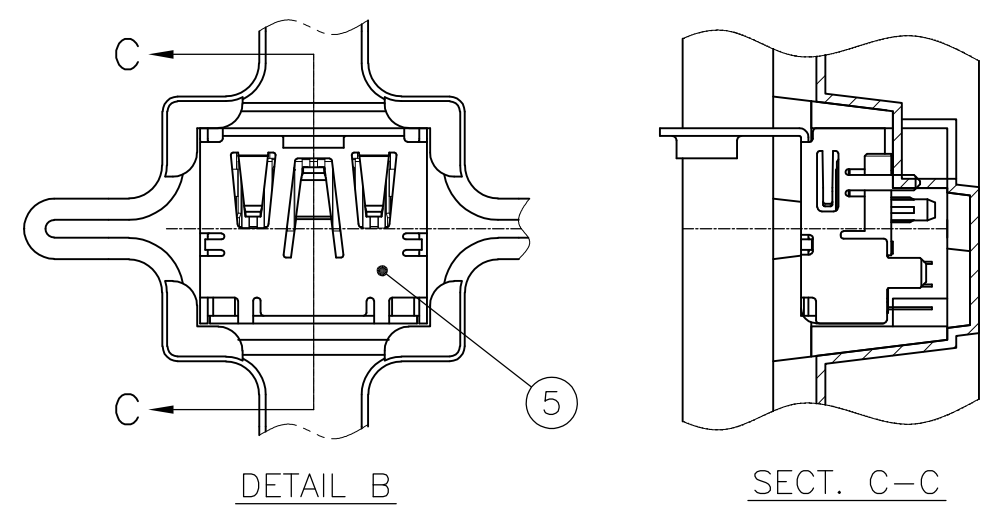
THIS DRAWING IS UNPUBLISHED. RELEASED FOR PUBLICATION
 © COPYRIGHT - By - ALL RIGHTS RESERVED.

LOC	DIST	REVISIONS			
P	LTR	DESCRIPTION	DATE	DWN	APVD
J	-	SEE SHEET 1	-	-	-



PANEL CUT OUT DIMENSION
(REFERENCE)

PART NUMBER: 1746679-1, -2; AS SHOWN



1746679-2	SEE SHEET 1	80	CONNECTOR	⑤
1746679-1	SEE SHEET 1	80	CONNECTOR	⑤
	PS	1	TRAY	④
PART NO	MATERIAL	QTY.	DISCRIPTION	ITEM

THIS DRAWING IS A CONTROLLED DOCUMENT.		DWN -		TE Connectivity HDMI 19 POS RECEPTACLE ASSY DIP TYPE -LEAD FREE-	
DIMENSIONS: MM		CHK -			
TOLERANCES UNLESS OTHERWISE SPECIFIED:		APVD -			
0 PLC ± 0.2 1 PLC ± 0.2 2 PLC ± 0.2 ± 0.3 3 PLC ± 0.2 4 PLC ± 0.2 ANGLES ± - FINISH		PRODUCT SPEC -			
MATERIAL		APPLICATION SPEC -		NAME	
		WEIGHT -		SIZE	
		CUSTOMER DRAWING		A3 00779 C-1746679	
		SCALE NTS		DRAWING NO	
		SHEET 2 OF 2		RESTRICTED TO	
		REV B1			

Mouser Electronics

Authorized Distributor

Click to View Pricing, Inventory, Delivery & Lifecycle Information:

[TE Connectivity:](#)

[1746679-1](#)