

THIS DRAWING IS UNPUBLISHED.

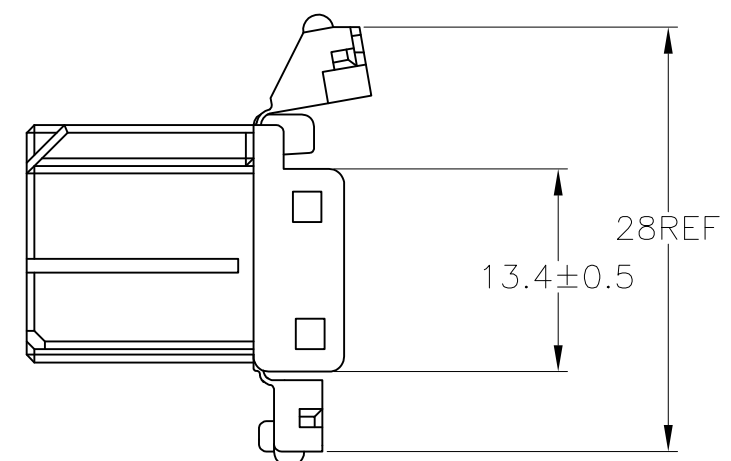
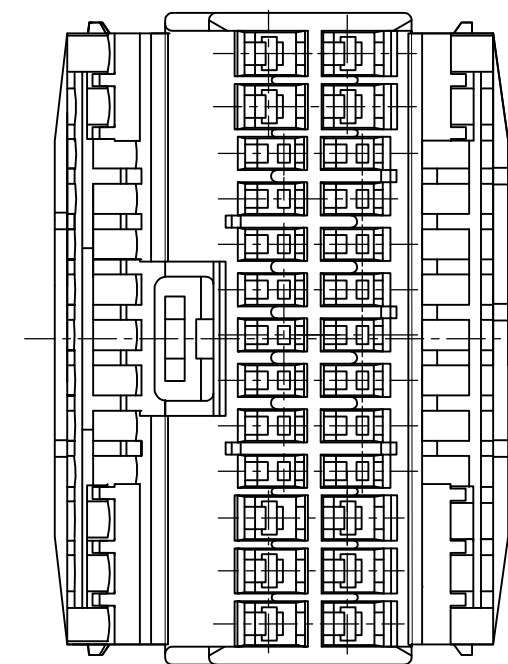
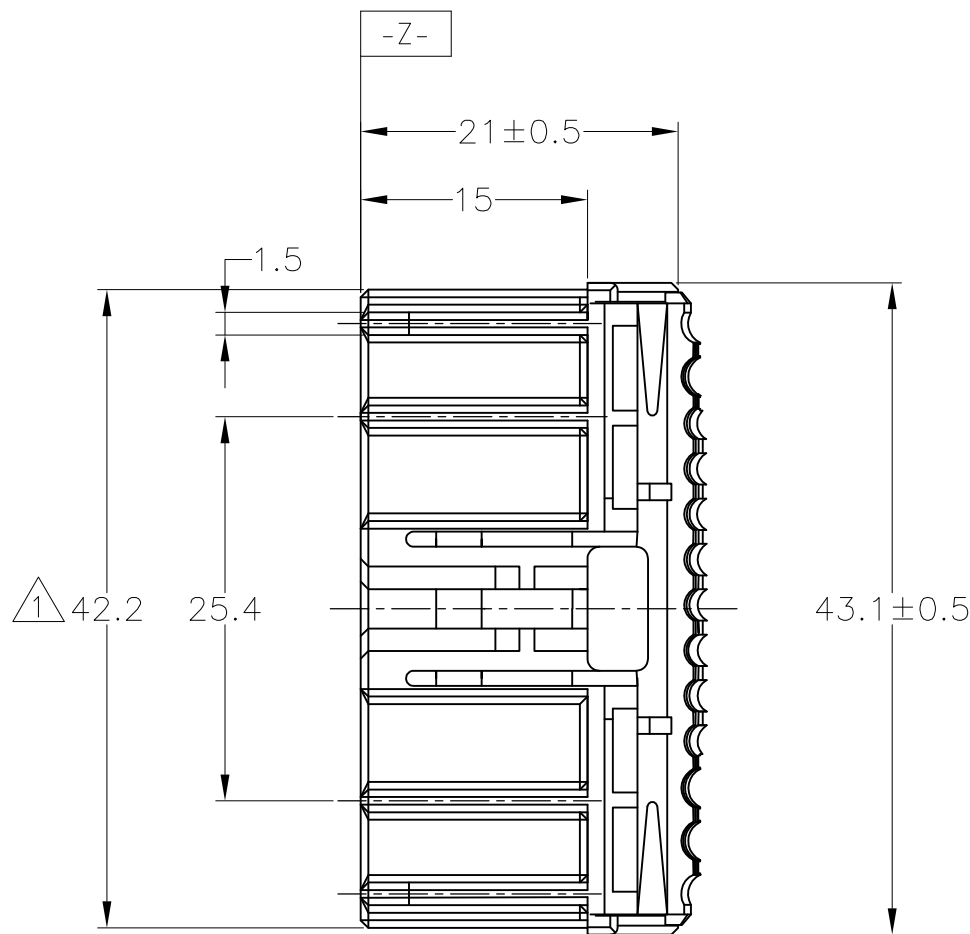
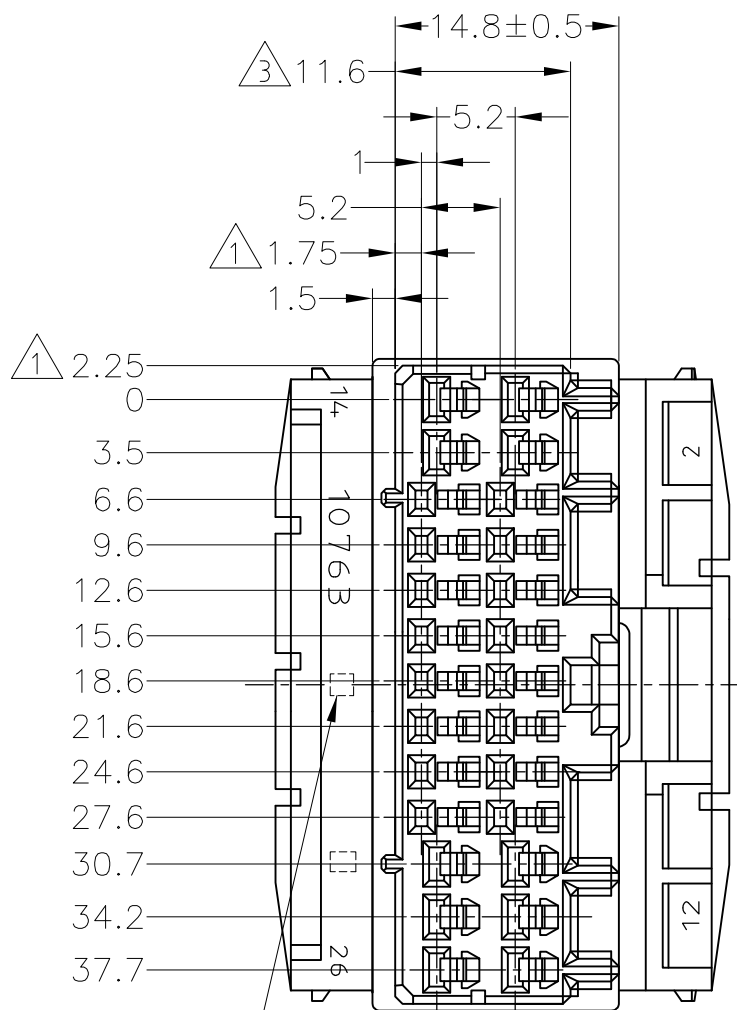
RELEASED FOR PUBLICATION

-. -. .

© COPYRIGHT - By -

ALL RIGHTS RESERVED.

LOC	DIST	REVISIONS					
J	-	P	LTR	DESCRIPTION	DATE	DWN	APVD
		E3		REVISED PER ECO-11-005140	28MAR11	RK	HMR



- 1. MUST BE KEPT BETWEEN -Z- AND 2mm.
- 2. THE MATING CAP HOUSING PART NUMBER ; 174518
- 3. APPLIED CONTACT PART NUMBER ; 173631, 173716, 173630, 175094
- 4. APPLICABLE PRODUCT SPECIFICATION NUMBER ; 108-5280

- 1. -Z- 面より 2mmの範囲で測定
- 2. 嵌合相手ハウジング型番 ; 174518
- 3. 内装するリセプタクルコンタクト型番 ; 173631, 173716, 173630, 175094
- 4. 適用製品規格番号 ; 108-5280

OBSOLETE	YELLOW	174516-7
	LIGHT GRAY	6-174516-6
	GRAY	174516-6
	BLACK	174516-2
	WHITE	174516-1
	COLOR	PART NUMBER

GENERAL TOLERANCE	
0<* < 10	±0.2
10<* < 30	±0.25
30<* < 100	±0.3
ANGLES	±3°

THIS DRAWING IS A CONTROLLED DOCUMENT.		DWN T.SHINOHARA 09JUL10		STE TE Connectivity	
DIMENSIONS: mm		CHK K.BETSUI 09JUL10			
		TOLERANCES UNLESS OTHERWISE SPECIFIED:		APVD K.BETSUI 09JUL10	
		0 PLC ± - 1 PLC ± - 2 PLC ± - 3 PLC ± - 4 PLC ± - ANGLES ± - FINISH -		NAME	
MATERIAL PBT		SEE NOTE 4		HYBRID I/O CONNECTOR	
		APPLICATION SPEC		26POSITION PLUG HOUSING	
		WEIGHT -		SIZE A3	CAGE CODE 00779
		CUSTOMER DRAWING		DRAWING NO C-174516	RESTRICTED TO -
				SCALE 2:1	SHEET 1 OF 1
				REV E3	

Mouser Electronics

Authorized Distributor

Click to View Pricing, Inventory, Delivery & Lifecycle Information:

[TE Connectivity:](#)

[174516-6](#)