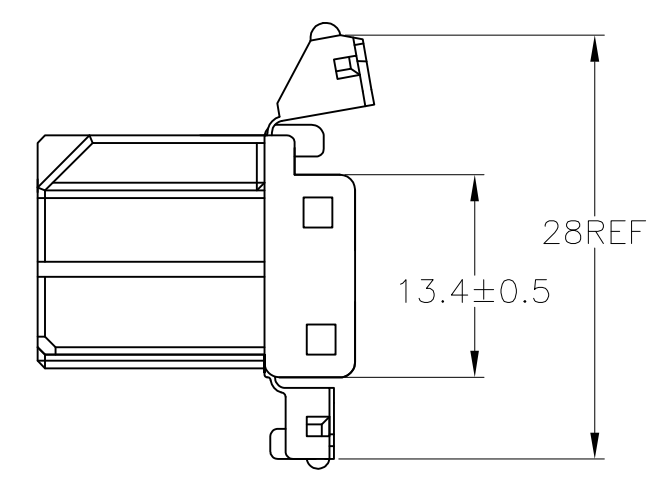
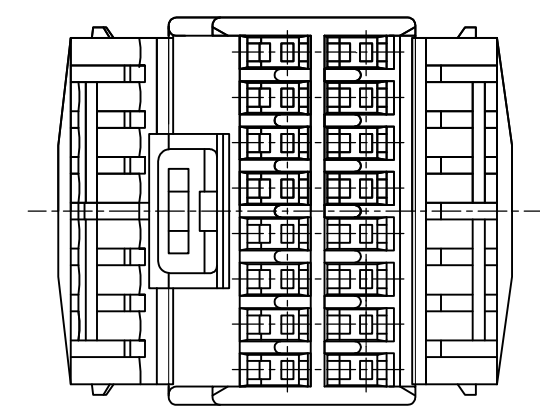
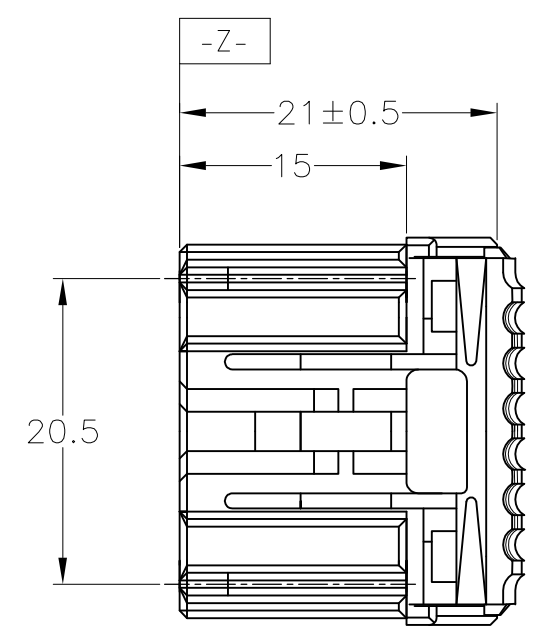
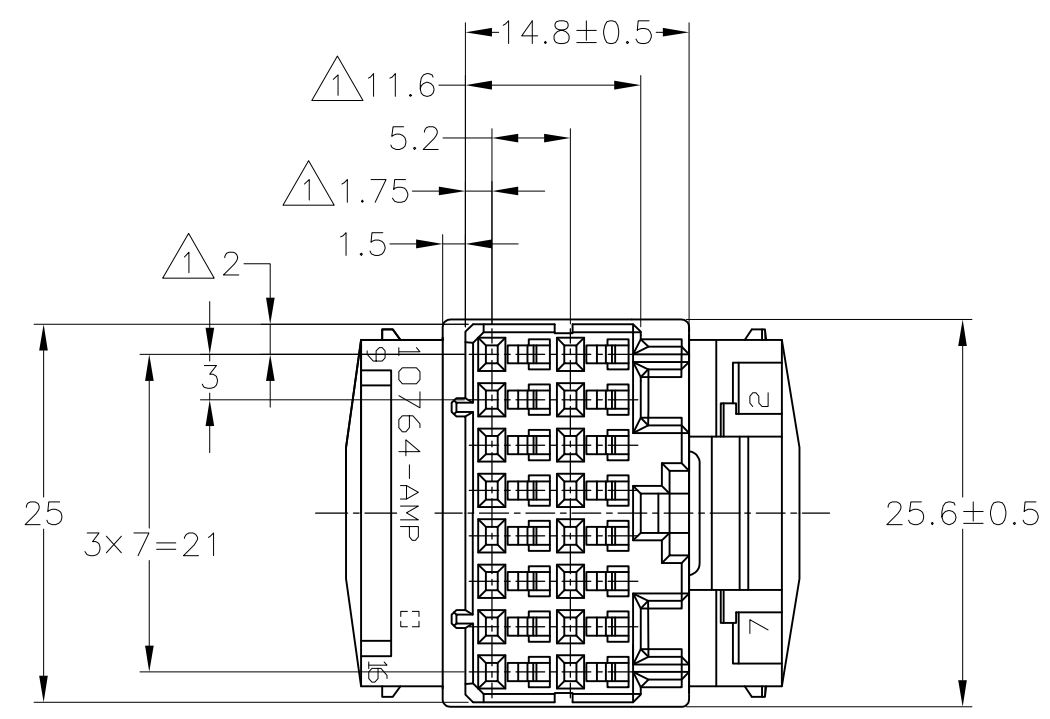


THIS DRAWING IS UNPUBLISHED. RELEASED FOR PUBLICATION
 © COPYRIGHT - By - ALL RIGHTS RESERVED.

LOC	DIST	REVISIONS			
P	LTR	DESCRIPTION	DATE	DWN	APVD
J	-	C2	REVISED PER ECO-11-005140	29MAR11	RK HMR



- ① MUST BE KEPT BETWEEN [-Z-] AND 2mm
 - 2. THE MATING CAP HOUSING PART NUMBER; 174518
 - 3. APPLIED CONTACT PART NUMBER; 173716, 175094
 - 4. APPLICABLE PRODUCT SPEC NO. 108-5280
- ① [-Z-] 面より 2mm の範囲で測定。
 - 2. 嵌合相手ハウジング型番; 174518
 - 3. 内装するリセプタクルコンタクト型番; 173716, 175094
 - 4. 適用製品規格番号; 108-5280

黄	YELLOW	174514-7
淡灰	LIGHT GRAY	6-174514-6
灰	GRAY	174514-6
白	WHITE	174514-1
色	COLOR	PART NUMBER

TOLERANCE UNLESS OTHERWISE SPECIFIED:
一般公差

0 < x ≤ 10	: ±0.2
10 < x ≤ 30	: ±0.25
30 < x ≤ 100	: ±0.3
ANGLE ; 角度	: ±3°

THIS DRAWING IS A CONTROLLED DOCUMENT.		DWN T.SHINOHARA 07SEP10	STE TE Connectivity																
DIMENSIONS: mm		CHK K.BETSUI 07SEP10																	
TOLERANCES UNLESS OTHERWISE SPECIFIED:		APVD K.BETSUI 07SEP10	NAME																
<table border="1"> <tbody> <tr> <td>0 PLC</td> <td>± -</td> </tr> <tr> <td>1 PLC</td> <td>± -</td> </tr> <tr> <td>2 PLC</td> <td>± -</td> </tr> <tr> <td>3 PLC</td> <td>± -</td> </tr> <tr> <td>4 PLC</td> <td>± -</td> </tr> <tr> <td>ANGLES</td> <td>± -</td> </tr> <tr> <td>FINISH</td> <td>-</td> </tr> </tbody> </table>		0 PLC	± -	1 PLC	± -	2 PLC	± -	3 PLC	± -	4 PLC	± -	ANGLES	± -	FINISH	-	PRODUCT SPEC SEE NOTE 4	HYBRID I/O CONNECTOR 16POSITION PLUG HOUSING		
0 PLC	± -																		
1 PLC	± -																		
2 PLC	± -																		
3 PLC	± -																		
4 PLC	± -																		
ANGLES	± -																		
FINISH	-																		
MATERIAL PBT		APPLICATION SPEC -	SIZE A3	CAGE CODE 00779	DRAWING NO C-174514														
		WEIGHT -	RESTRICTED TO -																
CUSTOMER DRAWING			SCALE 2:1	SHEET 1 OF 1	REV C2														

Mouser Electronics

Authorized Distributor

Click to View Pricing, Inventory, Delivery & Lifecycle Information:

[TE Connectivity:](#)

[174514-1](#)