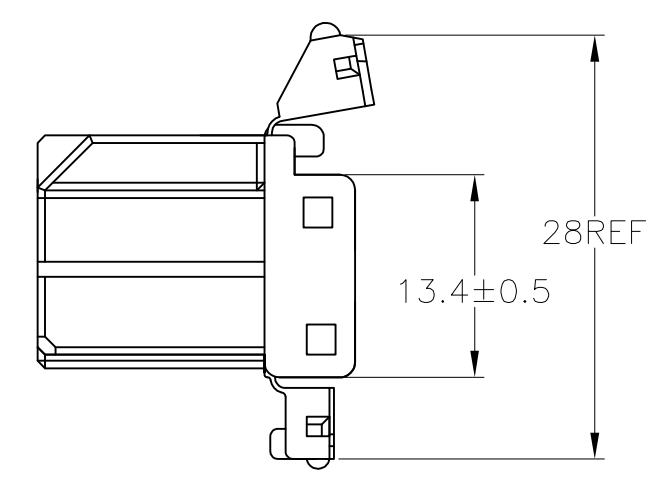
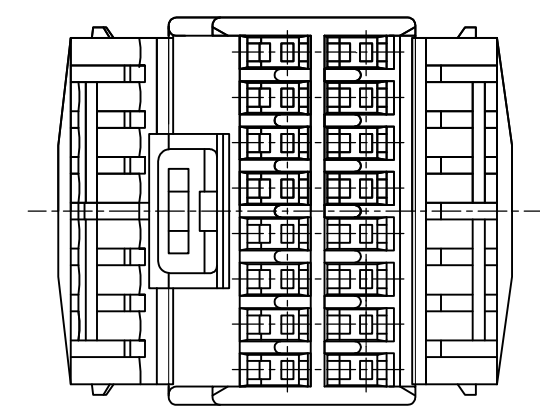
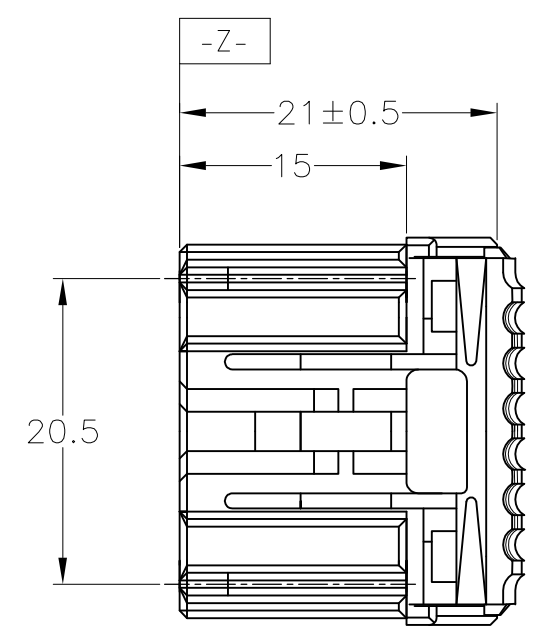
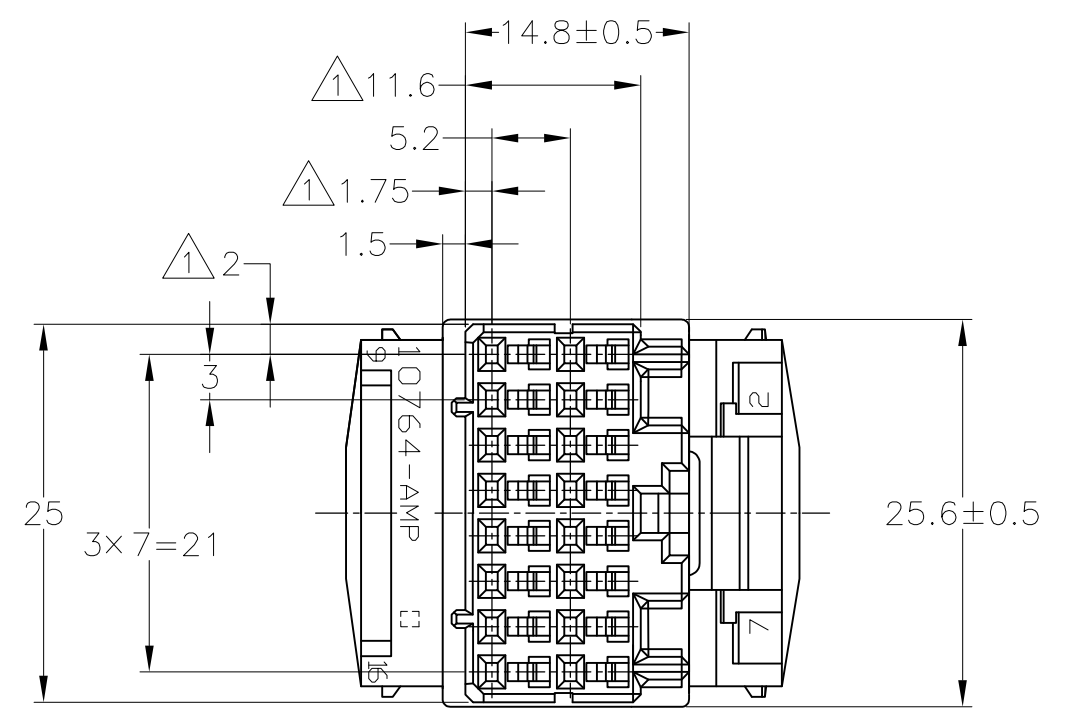


THIS DRAWING IS UNPUBLISHED. RELEASED FOR PUBLICATION
 © COPYRIGHT - By - ALL RIGHTS RESERVED.

LOC	DIST	REVISIONS			
P	LTR	DESCRIPTION	DATE	DWN	APVD
J	-	C2	REVISED PER ECO-11-005140	29MAR11	RK HMR



- ① MUST BE KEPT BETWEEN [-Z-] AND 2mm
 - 2. THE MATING CAP HOUSING PART NUMBER; 174518
 - 3. APPLIED CONTACT PART NUMBER; 173716, 175094
 - 4. APPLICABLE PRODUCT SPEC NO. 108-5280
- ① [-Z-] 面より 2mm の範囲で測定。
 - 2. 嵌合相手ハウジング型番; 174518
 - 3. 内装するリセプタクルコンタクト型番; 173716, 175094
 - 4. 適用製品規格番号; 108-5280

黄	YELLOW	174514-7
淡灰	LIGHT GRAY	6-174514-6
灰	GRAY	174514-6
白	WHITE	174514-1
色	COLOR	PART NUMBER

TOLERANCE UNLESS OTHERWISE SPECIFIED:
一般公差

0 < x ≤ 10	: ±0.2
10 < x ≤ 30	: ±0.25
30 < x ≤ 100	: ±0.3
ANGLE ; 角度	: ±3°

THIS DRAWING IS A CONTROLLED DOCUMENT.

DIMENSIONS:	TOLERANCES UNLESS OTHERWISE SPECIFIED:
mm	
	0 PLC ± -
	1 PLC ± -
	2 PLC ± -
	3 PLC ± -
	4 PLC ± -
	ANGLES ± -
MATERIAL	FINISH
PBT	-

DWN	T.SHINOHARA	07SEP10	TE Connectivity			
CHK	K.BETSUI	07SEP10				
APVD	K.BETSUI	07SEP10				
PRODUCT SPEC	SEE NOTE 4					
APPLICATION SPEC	-		NAME HYBRID I/O CONNECTOR 16POSITION PLUG HOUSING			
WEIGHT	-	-	SIZE	CAGE CODE	DRAWING NO	RESTRICTED TO
CUSTOMER DRAWING			A3	00779	C-174514	-
			SCALE	SHEET	REV	
			2:1	1 OF 1	C2	

Mouser Electronics

Authorized Distributor

Click to View Pricing, Inventory, Delivery & Lifecycle Information:

[TE Connectivity:](#)

[174514-6](#)