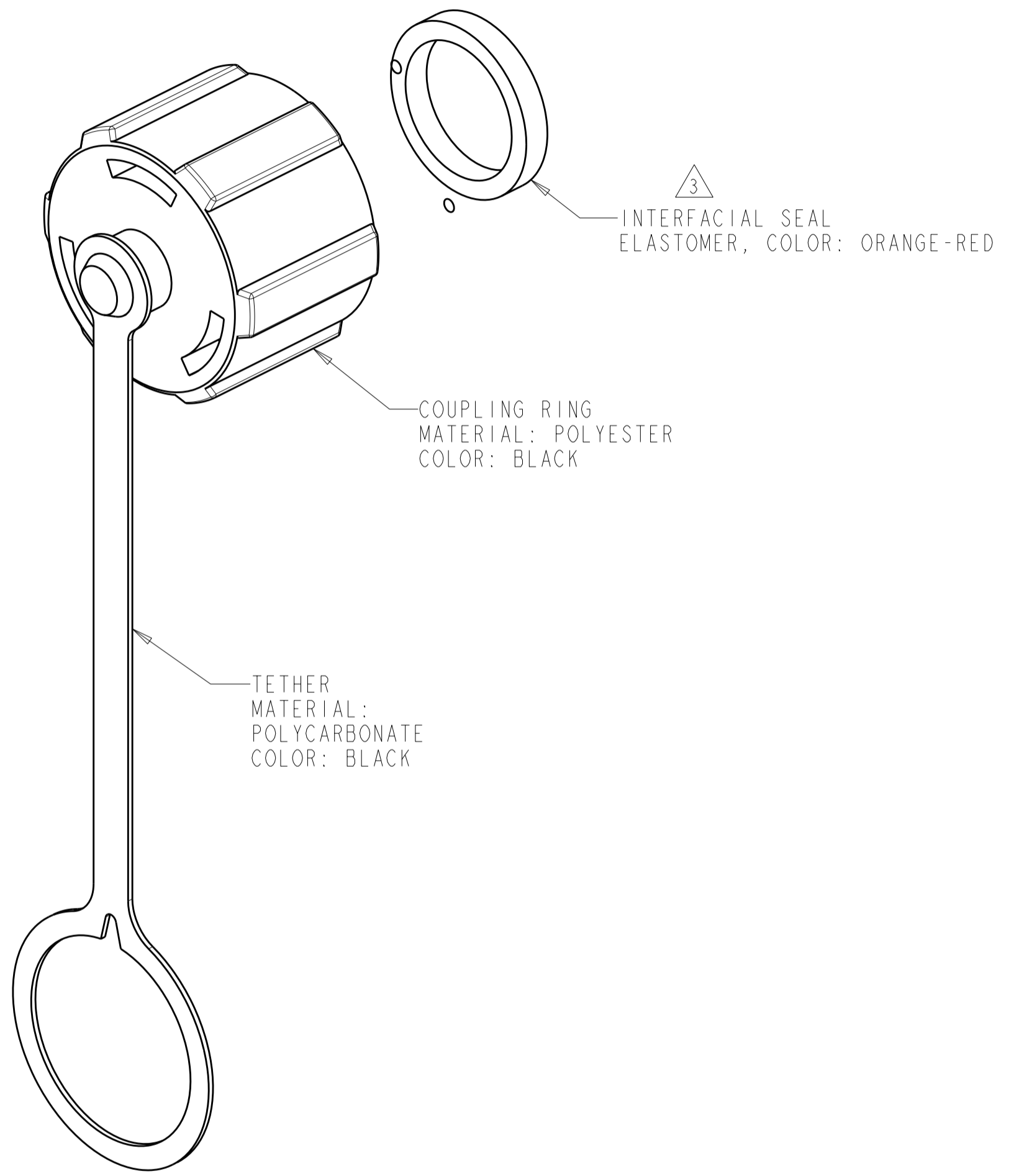
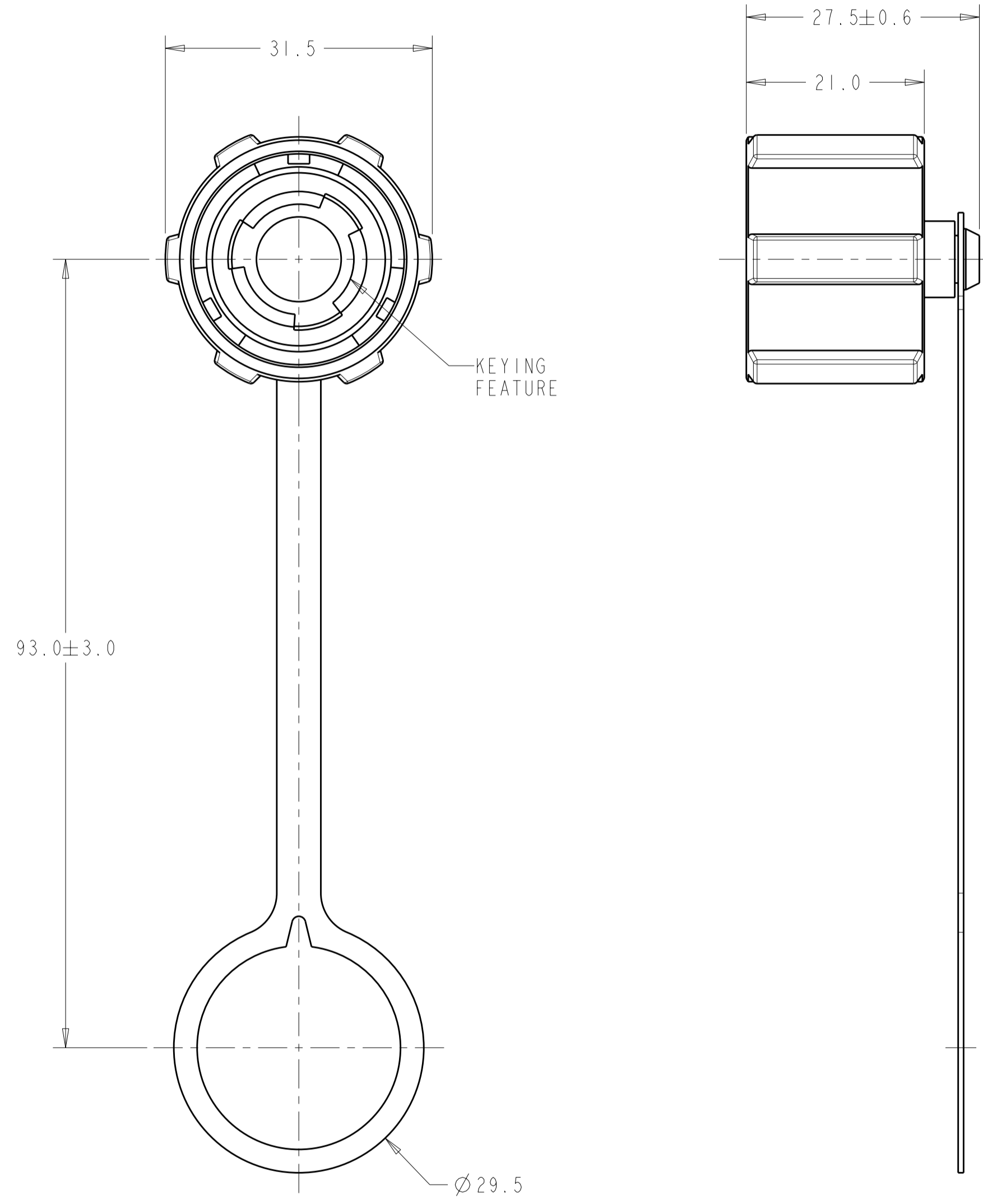


THIS DRAWING IS UNPUBLISHED. RELEASED FOR PUBLICATION 20  
 © COPYRIGHT 20 ALL RIGHTS RESERVED.

LOC	DIST	REVISIONS			
P	LTR	DESCRIPTION	DATE	DWN	APVD
FT	0	B2	REVISD PER ECO-11-005027	18MAY2011	RK HMR



1. THIS PRODUCT HAS NOT COMPLETED VALIDATION TESTING.
  2. PACKAGED IN POLYBAG.
- 3 SEAL IS SECURED TO COUPLING RING WITH ADHESIVE.

1738611-1  
 PART NUMBER

THIS DRAWING IS A CONTROLLED DOCUMENT.		DWN R.L. KOLLER 25MAR04	TE Connectivity	
DIMENSIONS: mm		CHK J. LANDIS 26MAR04		
TOLERANCES UNLESS OTHERWISE SPECIFIED:		APVD S. HEADER 17JUN05	NAME PROTECTIVE COVER ASSEMBLY, RECEPTACLE, INDUSTRIAL CIRCULAR ETHERNET CONNECTOR	
0 PLC ±0.3		PRODUCT SPEC	SIZE	RESTRICTED TO
1 PLC ±0.2		108-2198	CAGE CODE	-
2 PLC ±0.10		APPLICATION SPEC	DRAWING NO	-
3 PLC ±		114-13136	A2 00779	1738611
4 PLC ±		WEIGHT	SCALE	SHEET
ANGLES ±1°		-	2:1	1 OF 1
FINISH		CUSTOMER DRAWING	REV	B2

# Mouser Electronics

Authorized Distributor

Click to View Pricing, Inventory, Delivery & Lifecycle Information:

[TE Connectivity:](#)

[1738611-1](#)