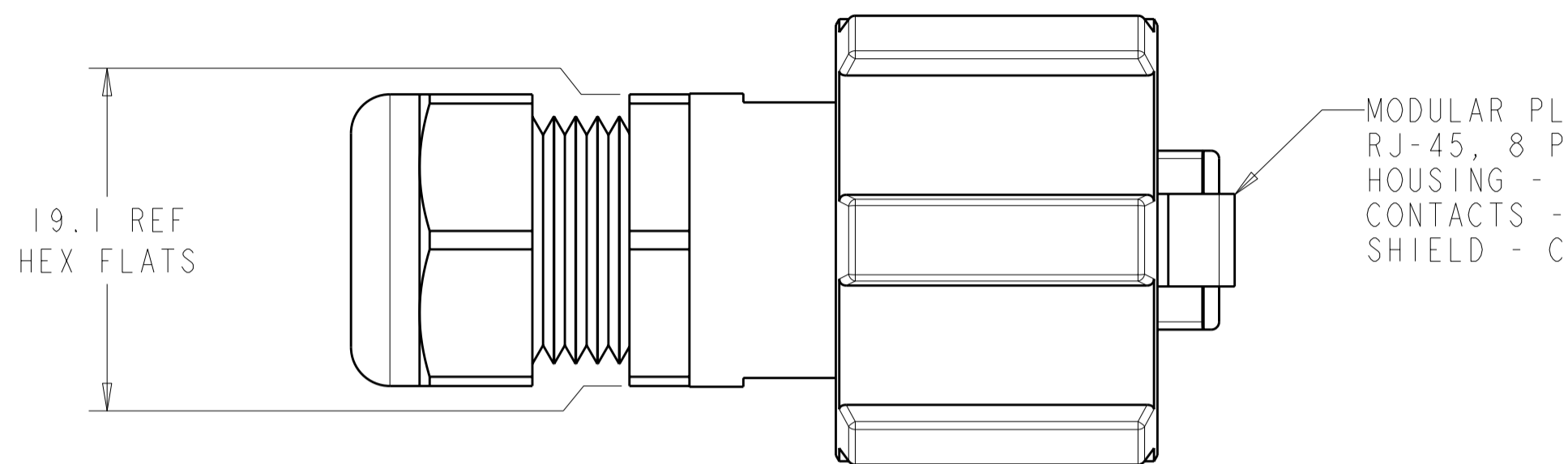
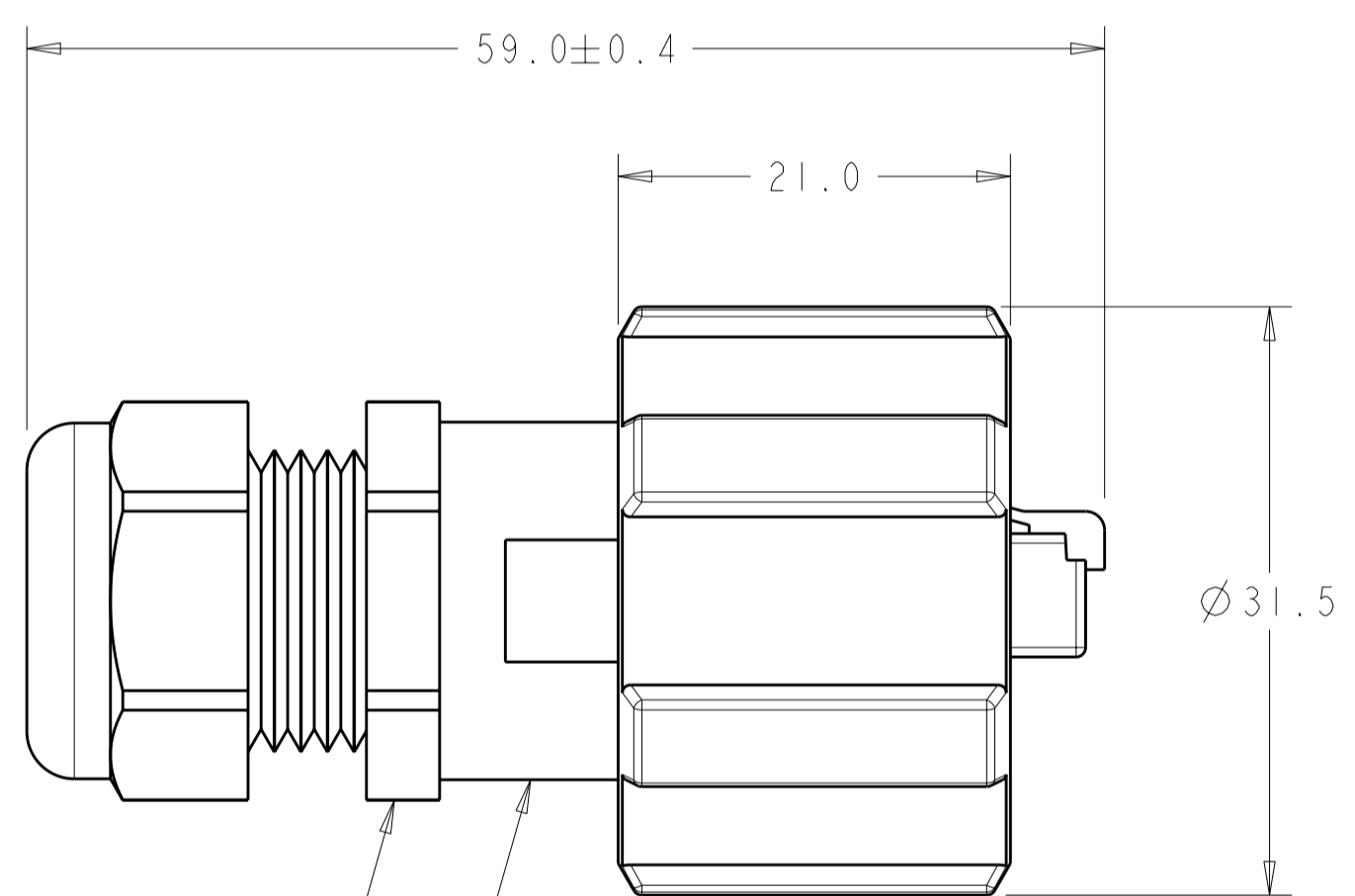


THIS DRAWING IS UNPUBLISHED. RELEASED FOR PUBLICATION 2011  
 © COPYRIGHT 2011 ALL RIGHTS RESERVED.

LOC	DIST	REVISIONS			
P	LTR	DESCRIPTION	DATE	DWN	APVD
FT	0	CI	REVISED PER ECO-11-005027	14MAY2011	RK HMR



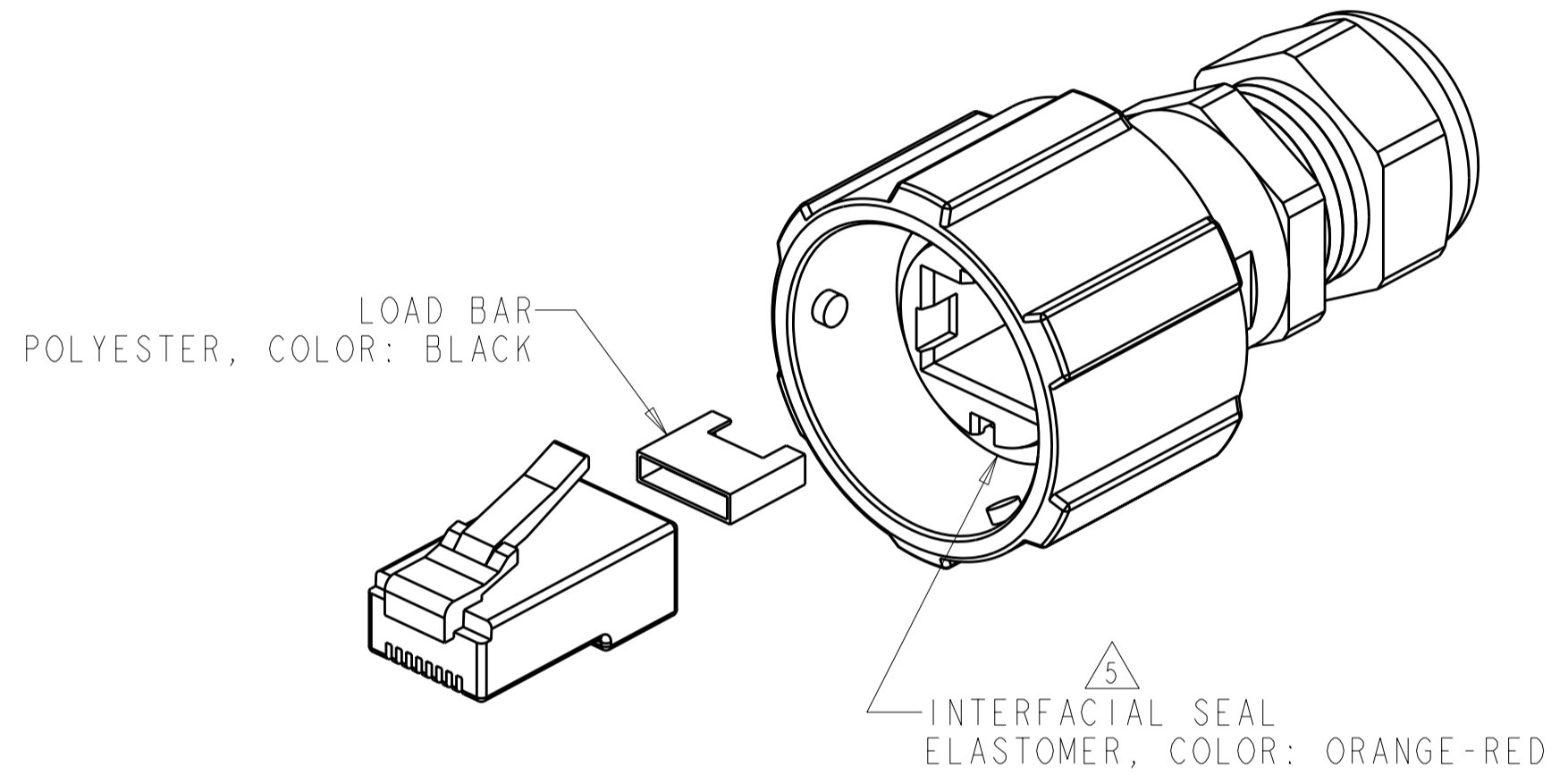
MODULAR PLUG ASSEMBLY  
 RJ-45, 8 POSITION-SEE TABULATION BELOW  
 HOUSING - CLEAR POLYCARBONATE  
 CONTACTS - PHOSPHOR BRONZE, GOLD OVER NICKEL  
 SHIELD - COPPER ALLOY W/ SEMI-BRIGHT NICKEL PLATE (-3 & -4 ONLY)



1 CABLE FITTING AND ELASTOMER  
 POLYAMIDE COLOR: BLACK

4 PLUG HOUSING  
 POLYESTER, COLOR: BLACK

COUPLING RING  
 POLYESTER, COLOR: BLACK



SCALE 2:1

- 1 CABLE DIAMETER RANGE, 4.6 mm TO 7.9 mm, CABLE FITTING ONLY, SEE APPLICATION SPECIFICATION FOR PLUG TERMINATION INFORMATION
- 2. THIS PRODUCT HAS NOT COMPLETED VALIDATION TESTING.
- 3. PARTS PACKAGED UNASSEMBLED IN POLYBAG.
- 4 GEOMETRY CAN VARY.
- 5 ELASTOMER SEAL IS SECURED TO HOUSING WITH ADHESIVE.

DESCRIPTION	CONDUCTOR TYPE	PART NUMBER
SHIELDED	24-26 AWG STRANDED	1738607-4
	24-26 AWG SOLID	1738607-3
UNSHIELDED	24 AWG STRANDED	1738607-2
	24 AWG SOLID	1738607-1

THIS DRAWING IS A CONTROLLED DOCUMENT.		DWN R.L.KOLLER 25MAR04	<b>STE</b> TE Connectivity	
		CHK J.LANDIS 26MAR04		
DIMENSIONS: mm		APVD S.HEADER 17JUN05	NAME PLUG ASSEMBLY INDUSTRIAL CIRCULAR ETHERNET CONNECTOR	
TOLERANCES UNLESS OTHERWISE SPECIFIED:		PRODUCT SPEC 108-2198	SIZE CAGE CODE DRAWING NO RESTRICTED TO	
0 PLC ±0.3		APPLICATION SPEC 114-13136	A2 00779 C-1738607	
1 PLC ±0.2		WEIGHT -	SCALE 5:2 SHEET 1 OF 1 REV CI	
2 PLC ±0.10				
3 PLC ±				
4 PLC ±				
ANGLES ±1°				
FINISH				
MATERIAL				
		CUSTOMER DRAWING		

# Mouser Electronics

Authorized Distributor

Click to View Pricing, Inventory, Delivery & Lifecycle Information:

[TE Connectivity:](#)

[1738607-2](#)