

THIS DRAWING IS UNPUBLISHED.

RELEASED FOR PUBLICATION

© COPYRIGHT

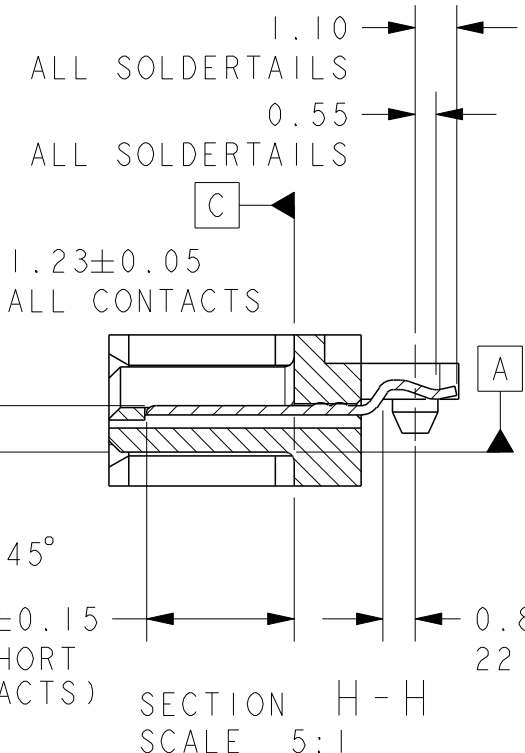
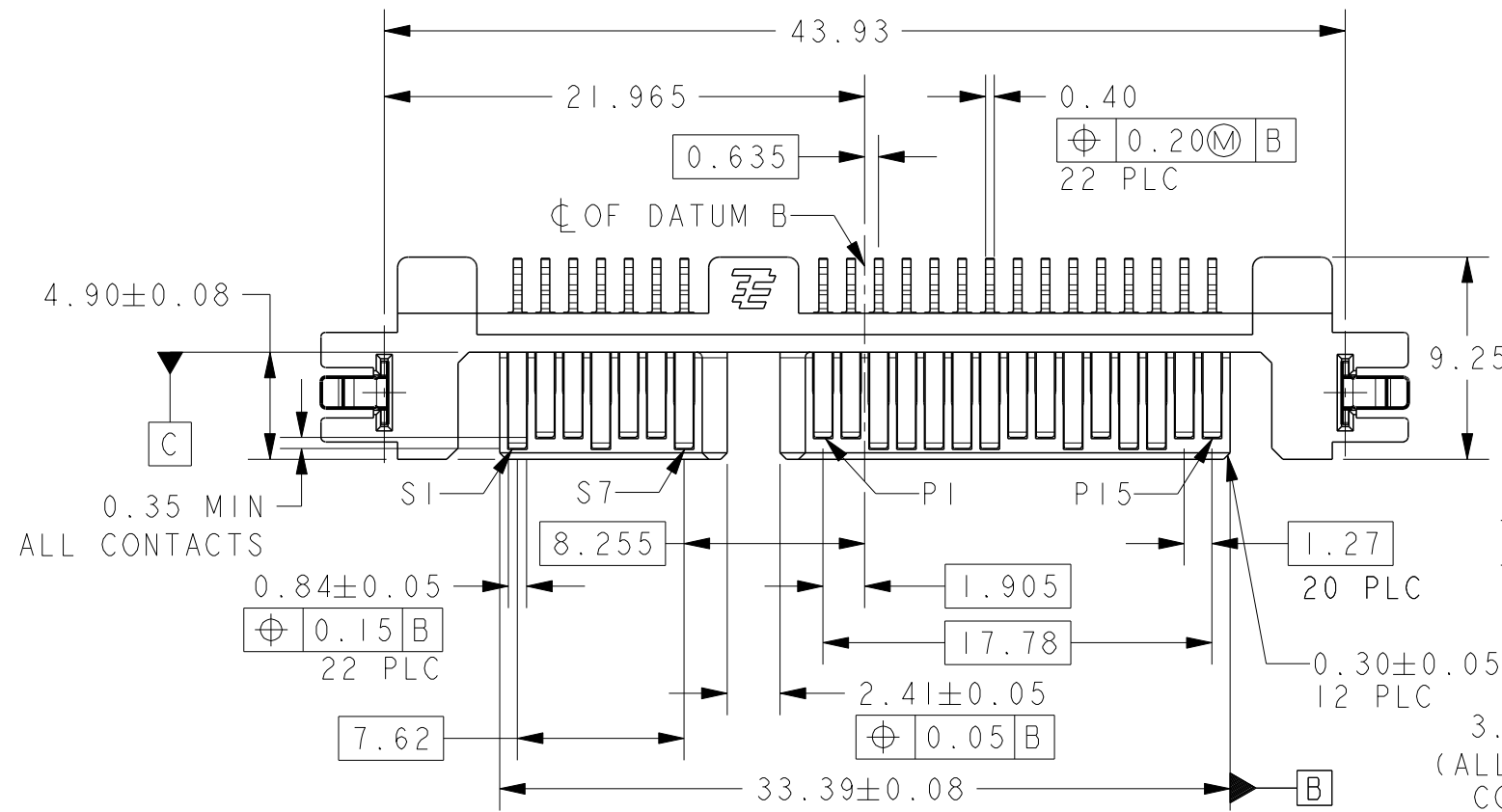
ALL RIGHTS RESERVED.

LOC
DY

DIST
-

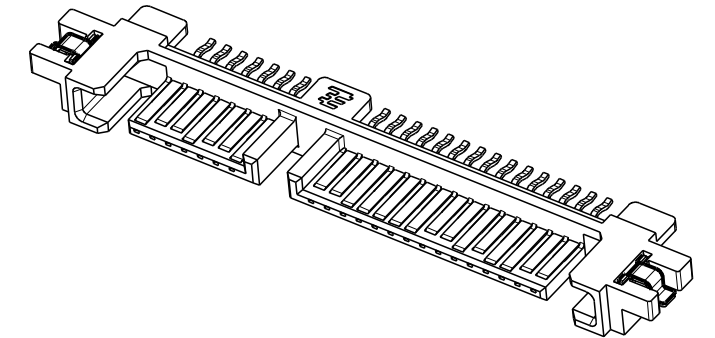
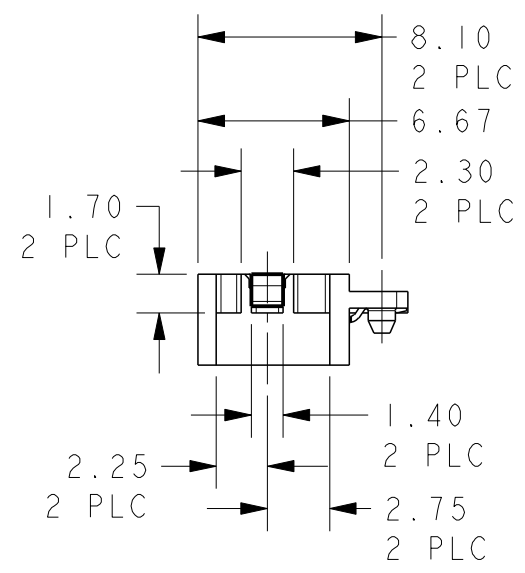
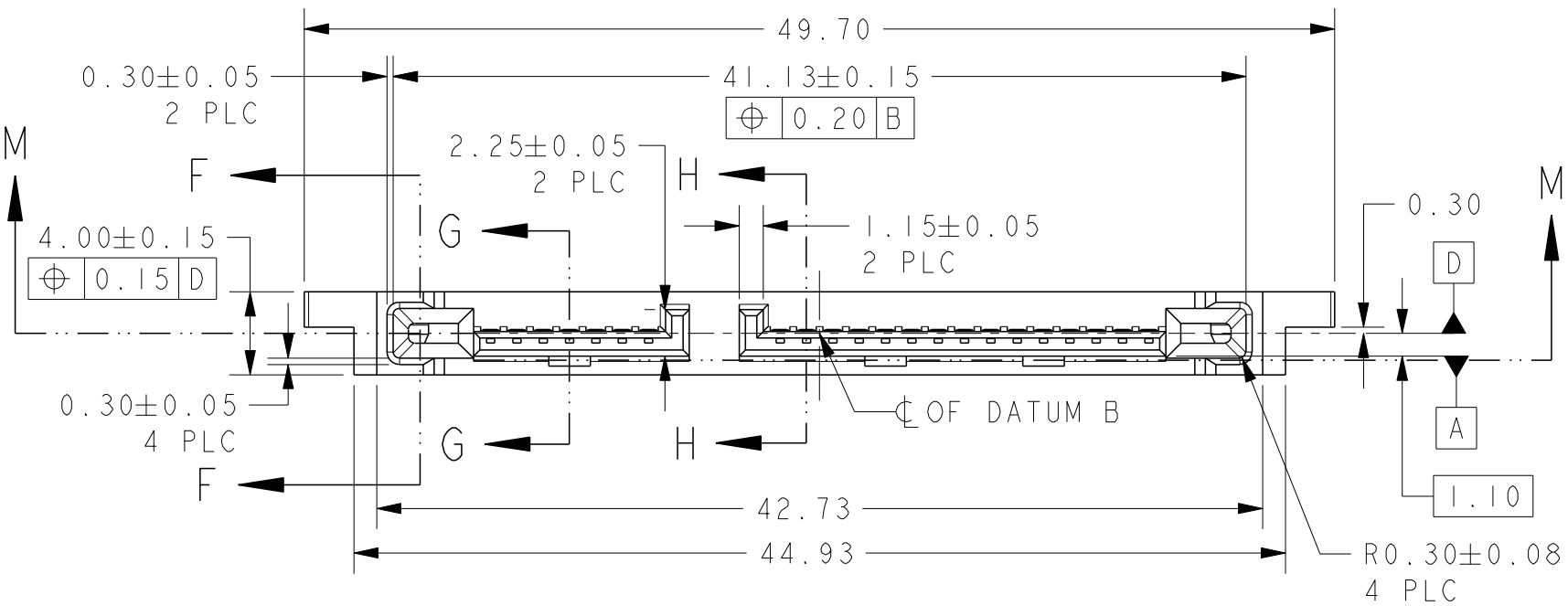
REVISIONS

P	LTR	DESCRIPTION	DATE	DWN	APVD
		CI REVISED ECR-11-023087	11NOV2011	JC	LSF



NOTES:

- MATERIAL
HOUSING: HIGH TEMPERATURE THERMOPLASTICS, GLASS FILLED, BLACK, UL94V-0, REGRIND 25% MAXIMUM
CONTACT: COPPER ALLOY
SOLDER PEG: COPPER ALLLOY
- FINISH
CONTACT: "A" MIN GOLD ON MATING AREA AND 2.54µm MIN MATTE TIN (LEAD-FREE) ON SOLDER AREA
BOTH OVER 1.27µm MIN NICKEL ENTIRE
SOLDER PEG: 2.54µm MIN TIN (LEAD-FREE) OVER 1.27µm MIN NICKEL ENTIRE
- CAVITY NO LOCATED AT APPROXIMATE AREA AS SHOWN
- DATE CODE



ISOMETRIC VIEW SCALE 2:1

0.76µm	1735783-3
0.38µm	1735783-2
0.05µm	1735783-1
"A"	PART NO.

THIS DRAWING IS A CONTROLLED DOCUMENT.

DIMENSIONS:	TOLERANCES UNLESS OTHERWISE SPECIFIED:
mm	
	0 PLC ±-
	1 PLC ±0.20
	2 PLC ±0.20
	3 PLC ±0.20
	4 PLC ±-
	ANGLES ±2°
MATERIAL	FINISH

DWN	JASON CHOW	05JAN09
CHK	AP TAY	
APVD	SE LEONG	
PRODUCT SPEC	108-51052	
APPLICATION SPEC	-	
WEIGHT	1.43g	
CUSTOMER DRAWING		

		TE Connectivity	
NAME SLIMLITE SATA PLUG, 15+7P, SMT			
SIZE	CAGE CODE	DRAWING NO	RESTRICTED TO
A3	00779	C-1735783	-
SCALE 3:1		SHEET 1 OF 3	REV CI

P/N: 1735783-1, -2, -3 AS SHOWN

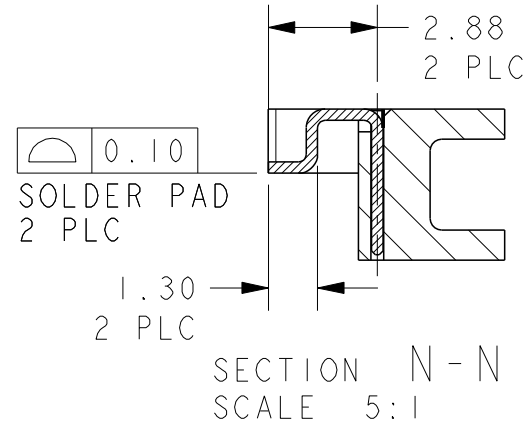
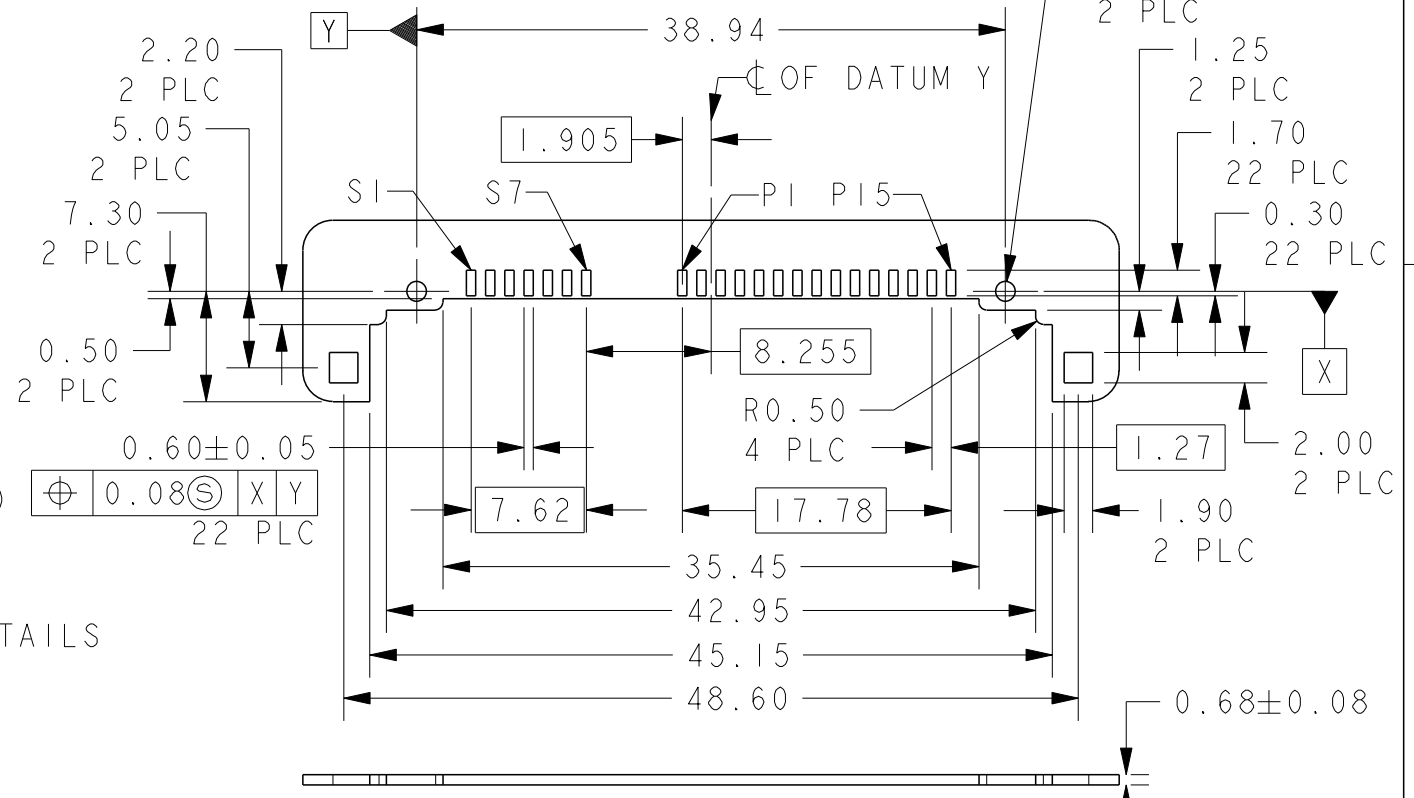
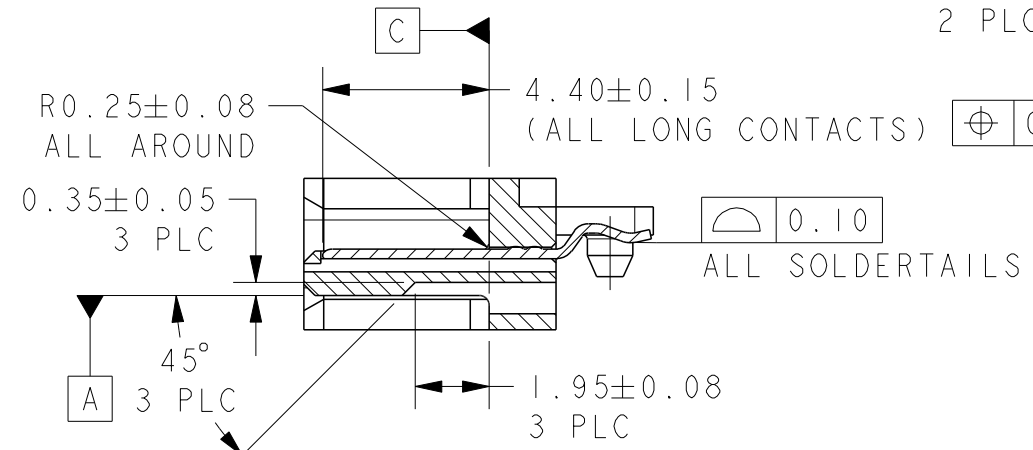
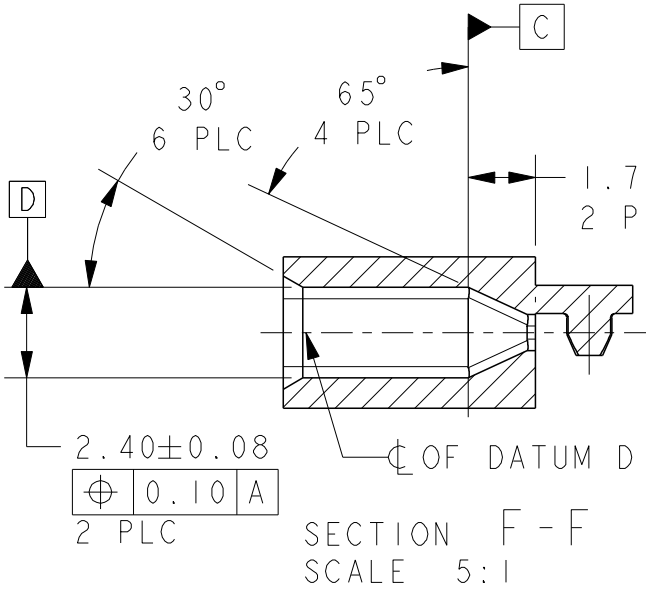
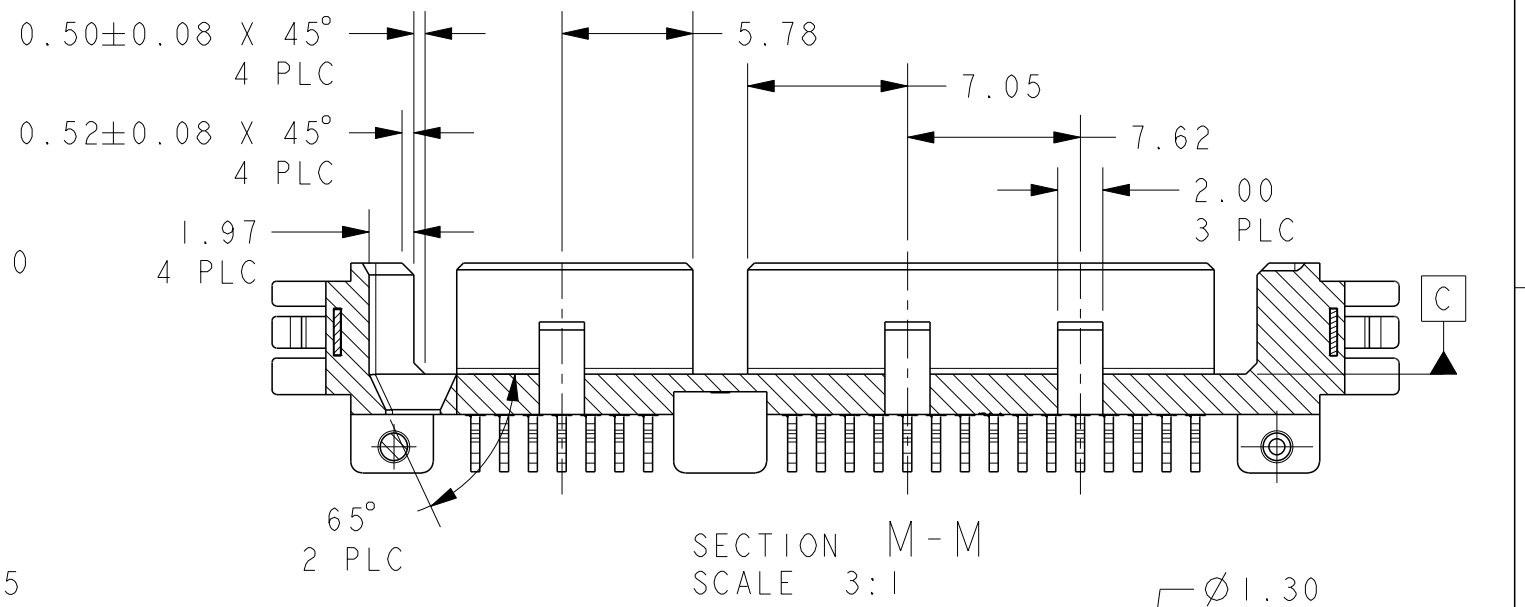
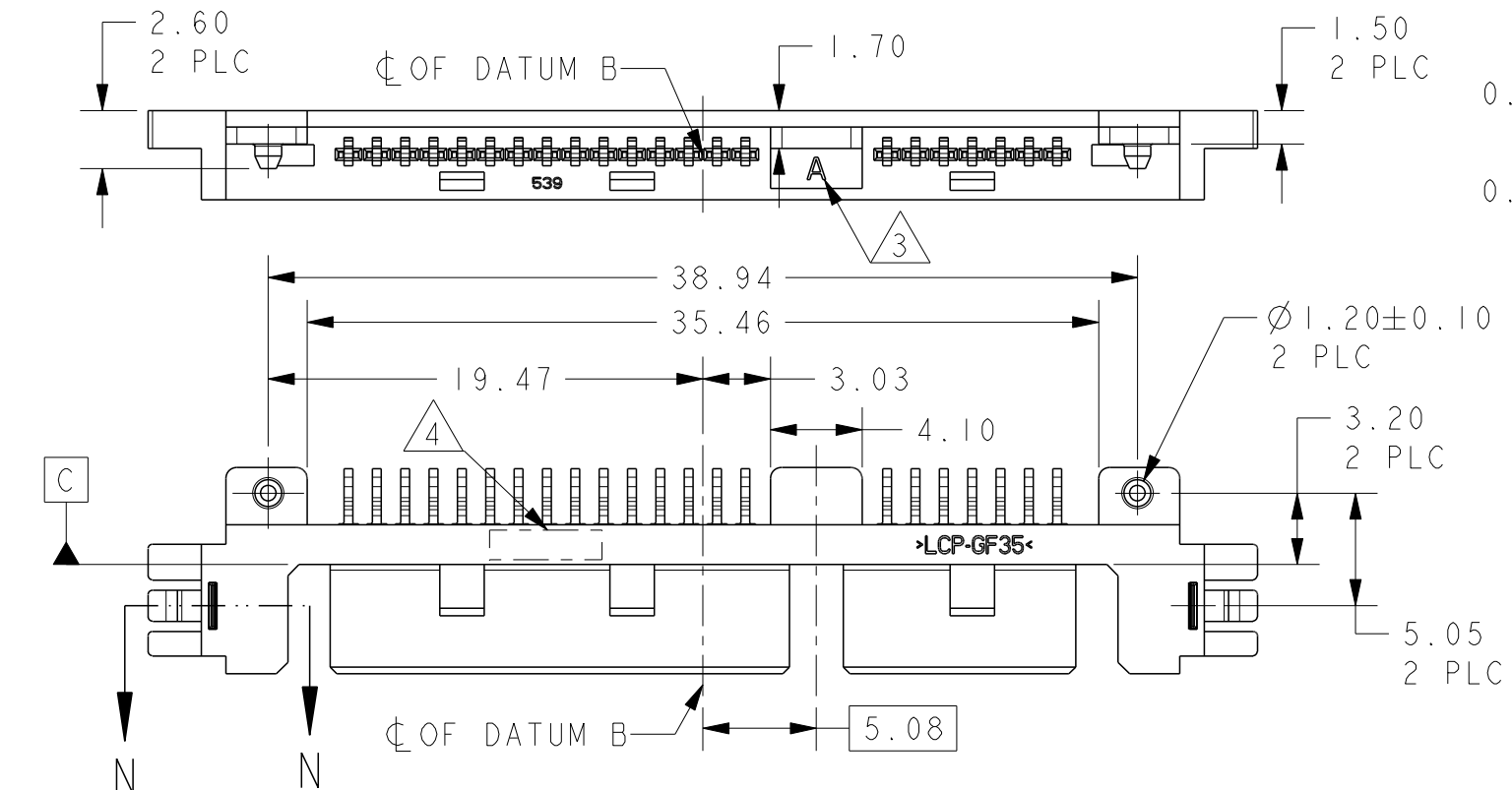
THIS DRAWING IS UNPUBLISHED.

RELEASED FOR PUBLICATION


© COPYRIGHT

ALL RIGHTS RESERVED.

LOC	DIST	REVISIONS					
		P	LTR	DESCRIPTION	DATE	DWN	APVD
DY	-			SEE SHEET 1			



PCB LAYOUT
RECOMMENDED PCB TOLERANCE: ±0.05
SCALE 2:1

THIS DRAWING IS A CONTROLLED DOCUMENT.		DWN JASON CHOW 05JAN09	 TE Connectivity	
DIMENSIONS: mm		CHK AP TAY		
TOLERANCES UNLESS OTHERWISE SPECIFIED:		APVD SE LEONG	NAME SLIMLITE SATA PLUG, 15+7P, SMT	
0 PLC ±-		PRODUCT SPEC 108-51052	SIZE A3	
1 PLC ±0.20		APPLICATION SPEC -	CAGE CODE 00779	DRAWING NO 1735783
2 PLC ±0.20		WEIGHT 1.43g	RESTRICTED TO -	
3 PLC ±0.20		CUSTOMER DRAWING	SCALE 3:1	SHEET 2 OF 3
4 PLC ±-			REV C1	
ANGLES ±2°				
FINISH				

P/N: 1735783-1, -2, -3 AS SHOWN

4

3

2

1

THIS DRAWING IS UNPUBLISHED.

RELEASED FOR PUBLICATION

© COPYRIGHT

ALL RIGHTS RESERVED.

LOC
DY

DIST
-

REVISIONS

P	LTR	DESCRIPTION	DATE	DWN	APVD
		SEE SHEET 1			

2.00
4.00
40.00
1.75
34.20
68.40
72.00±0.30
50.10
5.10

SECTION A-A

16.00
11.70
SECTION B-B
SCALE 2:1

CUSTOMER DE-REEL DIRECTION

PLASTIC REEL
DETAILS
Ø330
REF
Ø100
REF
74.00
REF
78.00
REF
CUSTOMER DE-REEL
DIRECTION


NOTES:

- ALL DIMENSIONS IN MM UNLESS OTHERWISE STATED.
- MATERIAL: PS CLEAR, 0.40±0.05 THICKNESS (BEFORE REFORM).
- GENERAL TOLERANCE: ±0.20MM UNLESS OTHERWISE STATED.
DRAFT ANGLE: 5° (MAX) UNLESS OTHERWISE STATED.
RADIUS: 0.25 (MAX) TYPE UNLESS OTHERWISE STATED.
- ACCUMULATED TOLERANCES FOR PITCHES: ±0.20MM FOR 10 PITCHES.
- DELIVER IN PLASTICS REEL: 757 POCKETS/REEL (700 COMPONENTS/REEL)

2.00
8.00
16.00
4.25
0.70
OF DATUM B

CONNECTOR WITH PICK-UP CAP
SCALE 2:1

P/N: 1735783-1, -2, -3 AS SHOWN

THIS DRAWING IS A CONTROLLED DOCUMENT.		DWN JASON CHOW 05JAN09	 TE Connectivity			
DIMENSIONS: mm		CHK AP TAY				
TOLERANCES UNLESS OTHERWISE SPECIFIED:		APVD SE LEONG	NAME SLIMLITE SATA PLUG, 15+7P, SMT			
0 PLC ±- 1 PLC ±0.20 2 PLC ±0.20 3 PLC ±0.20 4 PLC ±- ANGLES ±5° FINISH -		PRODUCT SPEC 108-51052	SIZE A3	CAGE CODE 00779	DRAWING NO 1735783	RESTRICTED TO -
MATERIAL 2		APPLICATION SPEC -	WEIGHT 1.43g	SCALE 3:1	SHEET 3 OF 3	REV C1
CUSTOMER DRAWING						

1470-19 (3/11)

Mouser Electronics

Authorized Distributor

Click to View Pricing, Inventory, Delivery & Lifecycle Information:

[TE Connectivity:](#)

[1735783-3](#)