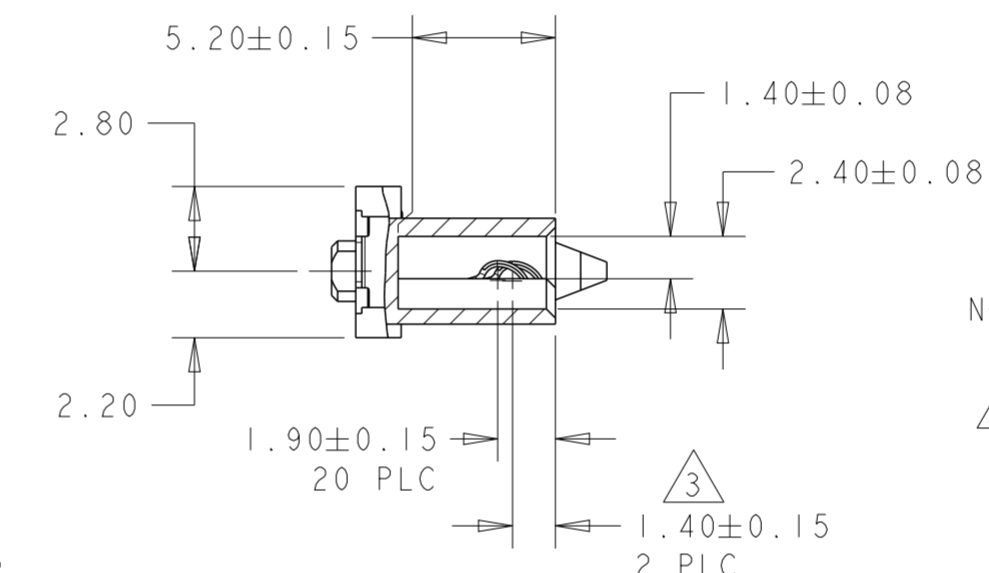
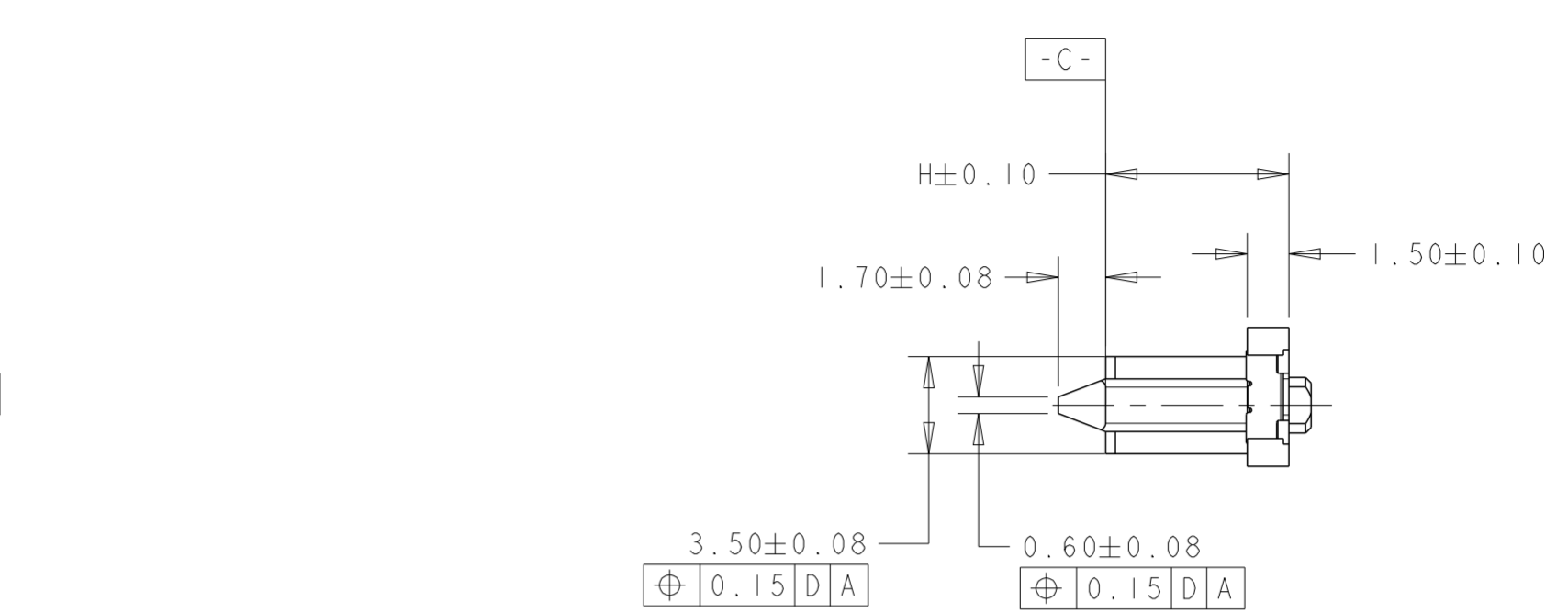
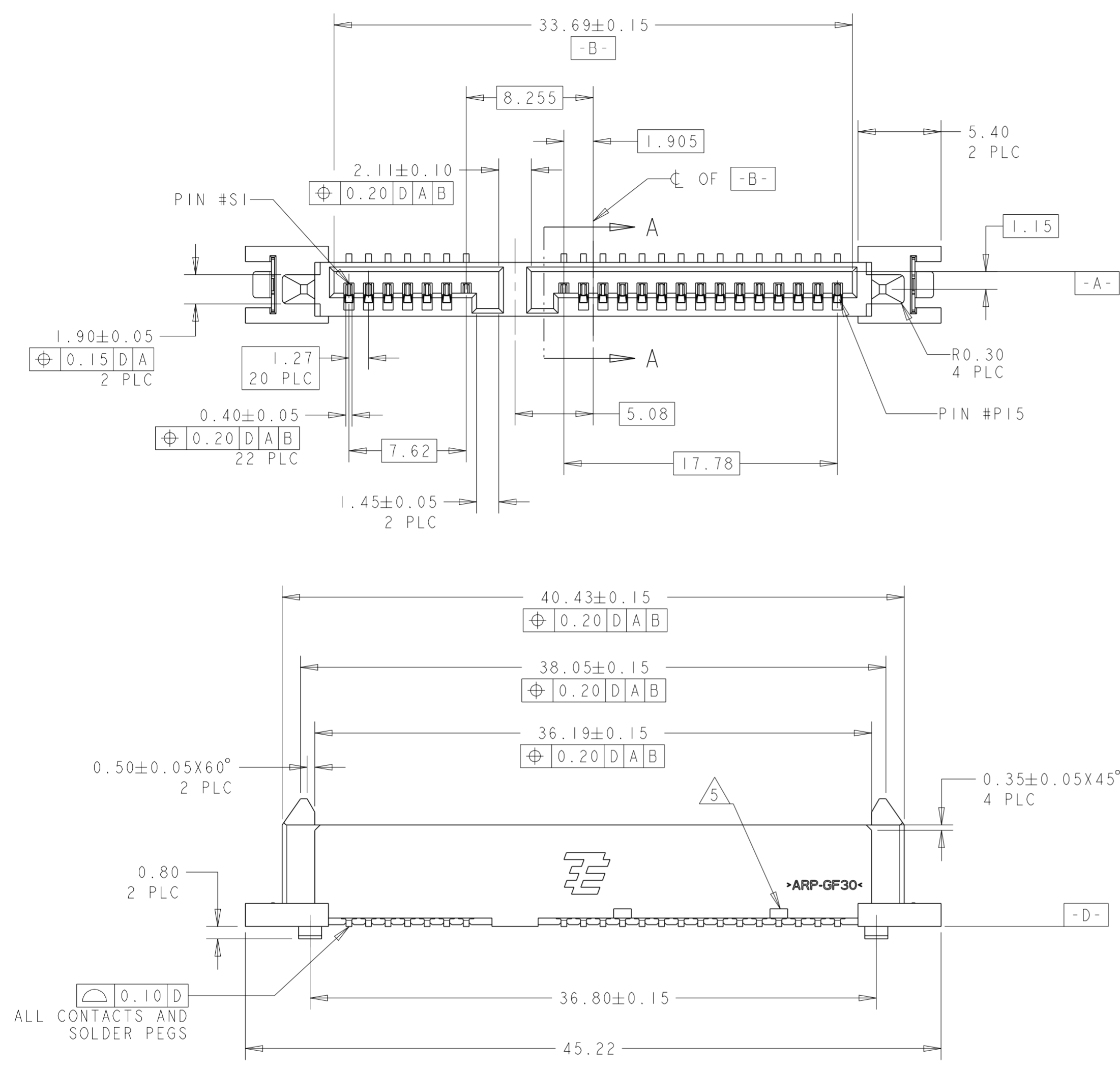
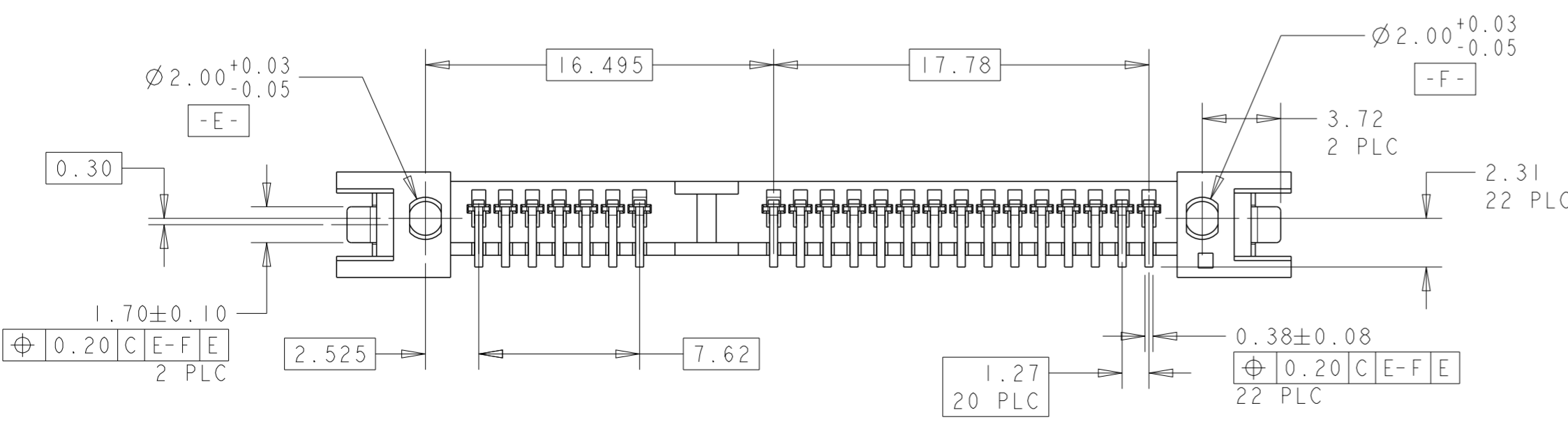


THIS DRAWING IS UNPUBLISHED. RELEASED FOR PUBLICATION 20  
 © COPYRIGHT 20 BY - ALL RIGHTS RESERVED.

LOC		DIST		REVISIONS			
P	LTR	DESCRIPTION		DATE	DWN	APVD	
D		REVISED PER ECR-17-002389		20FEB2017	S.W	W.H	



- NOTES:
- 1 MATERIAL:  
HOUSING: HIGH TEMP THERMOPLASTIC, UL94V-0,  
COLOR: BLACK  
CONTACT: COPPER ALLOY  
BOARDLOCK: COPPER ALLOY
  - 2 FINISH:  
CONTACT AREA: SEE TABLE GOLD PLATING  
SOLDERTAIL: MIN 2.54um MATTE TIN PLATING  
UNDERPLATE: MIN 1.27um NICKEL PLATING
  - 3 PIN #P4 AND #PI2 ONLY
  - 4 VIEWS IN SHEET 1 ARE SHOWN WITHOUT PICKUP CAP
  - 5 HOUSING OPENING APPLICABLE TO -2 AND -5 ONLY



0.76	450	T&R	YES	STANDARD PROFILE	8.15	1735284-7
0.38	550	T&R	YES	LOW PROFILE	6.60	1735284-6
Au um	QTY/REEL	PACKAGE	PICK-UP CAP	REMARKS	HEIGHT (H)	PART NUMBER

0.76	48	TYPE 1	YES	STANDARD PROFILE	8.15	1735284-5
0.38	20	TYPE 2	YES	LOW PROFILE	6.60	1735284-4
0.38	20	TYPE 2	NO	LOW PROFILE	6.60	1735284-3
0.76	20	TYPE 2	NO	STANDARD PROFILE	8.15	1735284-2
0.38	48	TYPE 1	YES	LOW PROFILE	6.60	1735284-1
Au um	QTY/TRAY	TRAY	PICK-UP CAP	REMARKS	HEIGHT (H)	PART NUMBER

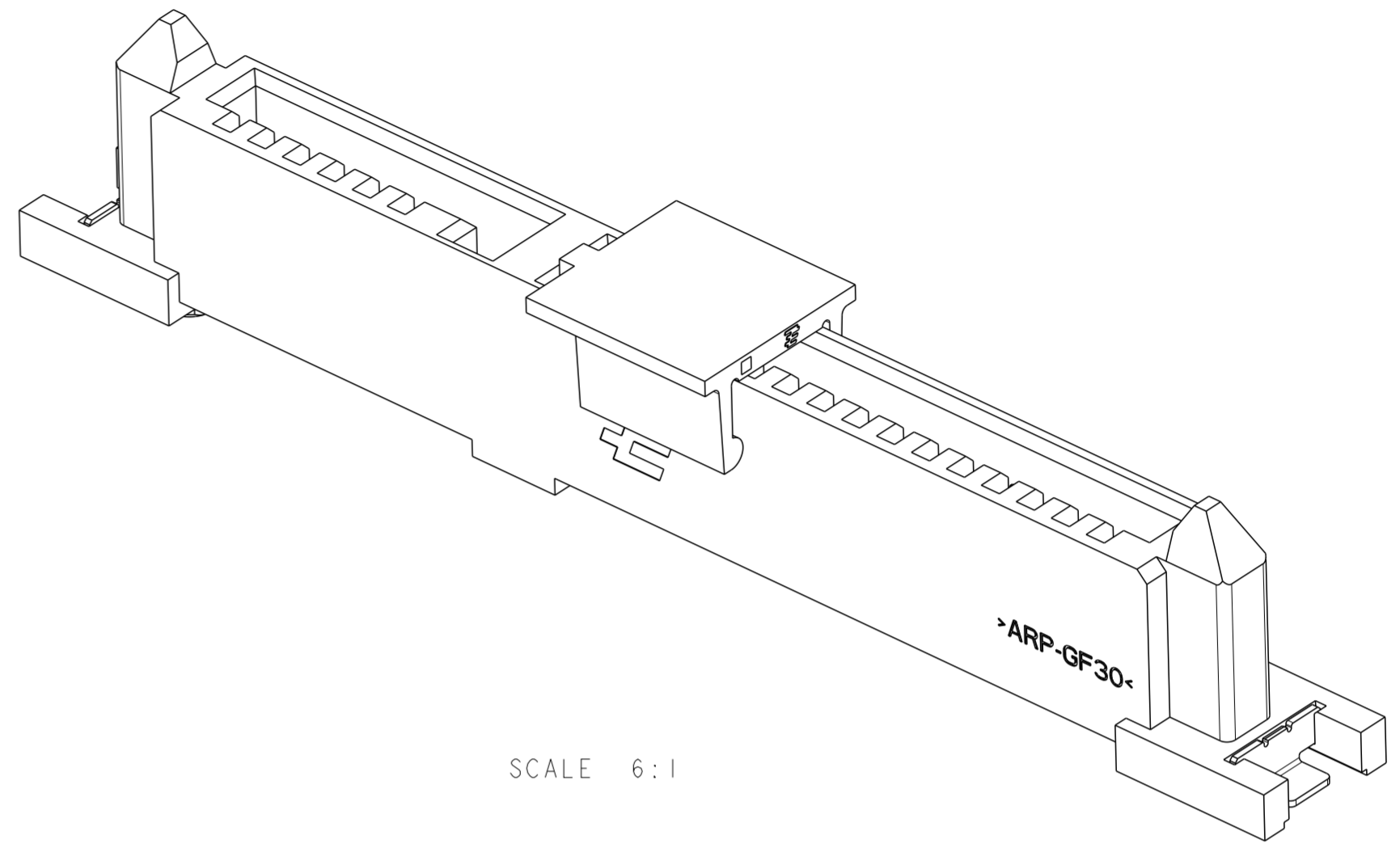
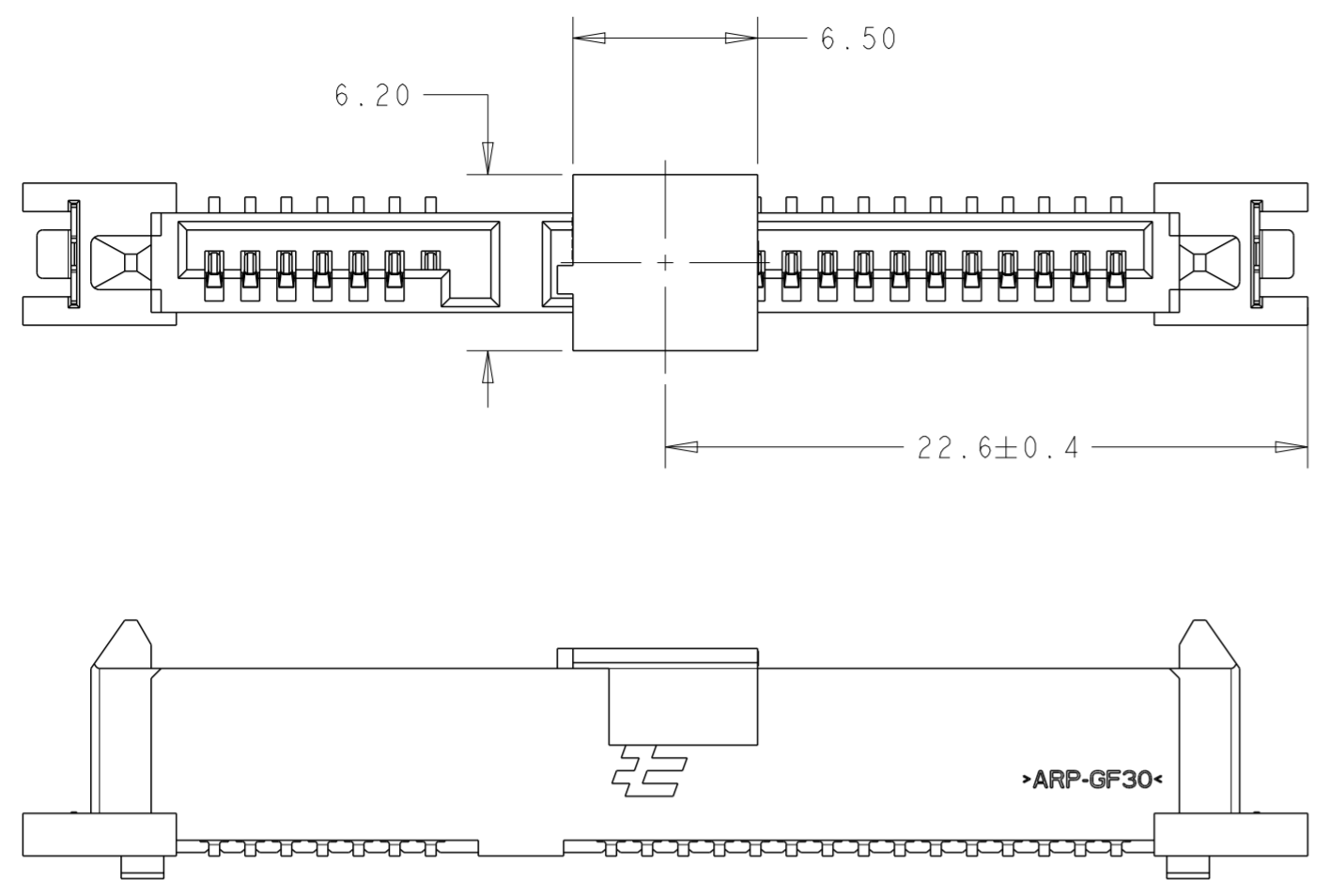
THIS DRAWING IS A CONTROLLED DOCUMENT.

DWN SK LEAW 14NOV2005	TE Connectivity NAME: SATA BACKPLANE RECEPTACLE, VERTICAL, SMT SIZE: A2 CAGE CODE: 00779 DRAWING NO: 1735284 RESTRICTED TO:
CHK SF LEONG 14NOV2005	
APVD SF LEONG 14NOV2005	
PRODUCT SPEC: 108-51052-1	
MATERIAL: 1	WEIGHT: - SCALE: 4:1 SHEET 1 OF 5 REV D

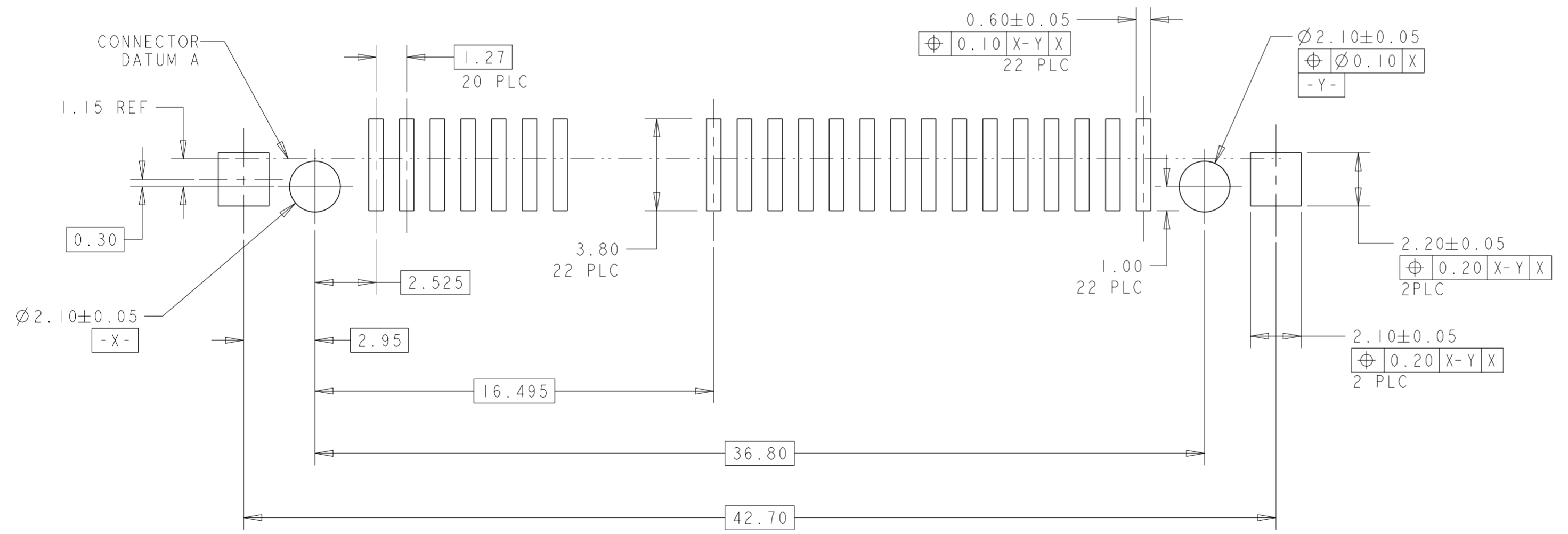
CUSTOMER DRAWING

THIS DRAWING IS UNPUBLISHED. RELEASED FOR PUBLICATION 20  
 © COPYRIGHT 20 BY - ALL RIGHTS RESERVED.

LOC	DIST	REVISIONS					
DY		P	LTR	DESCRIPTION	DATE	DWN	APVD
		-		SEE SHEET 1	-	-	-



SCALE 6:1

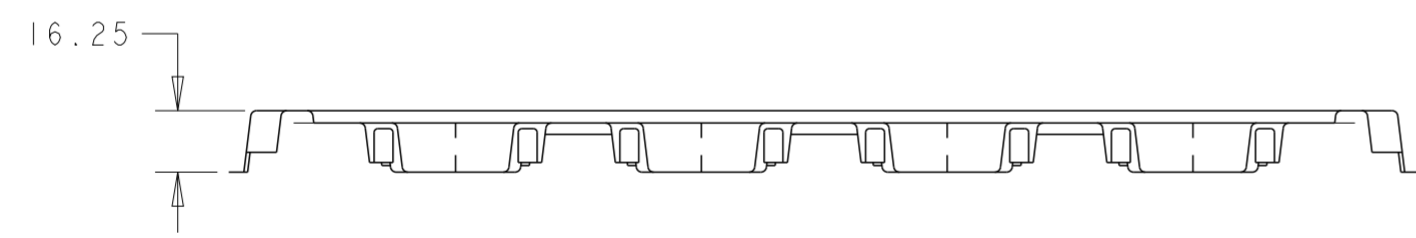
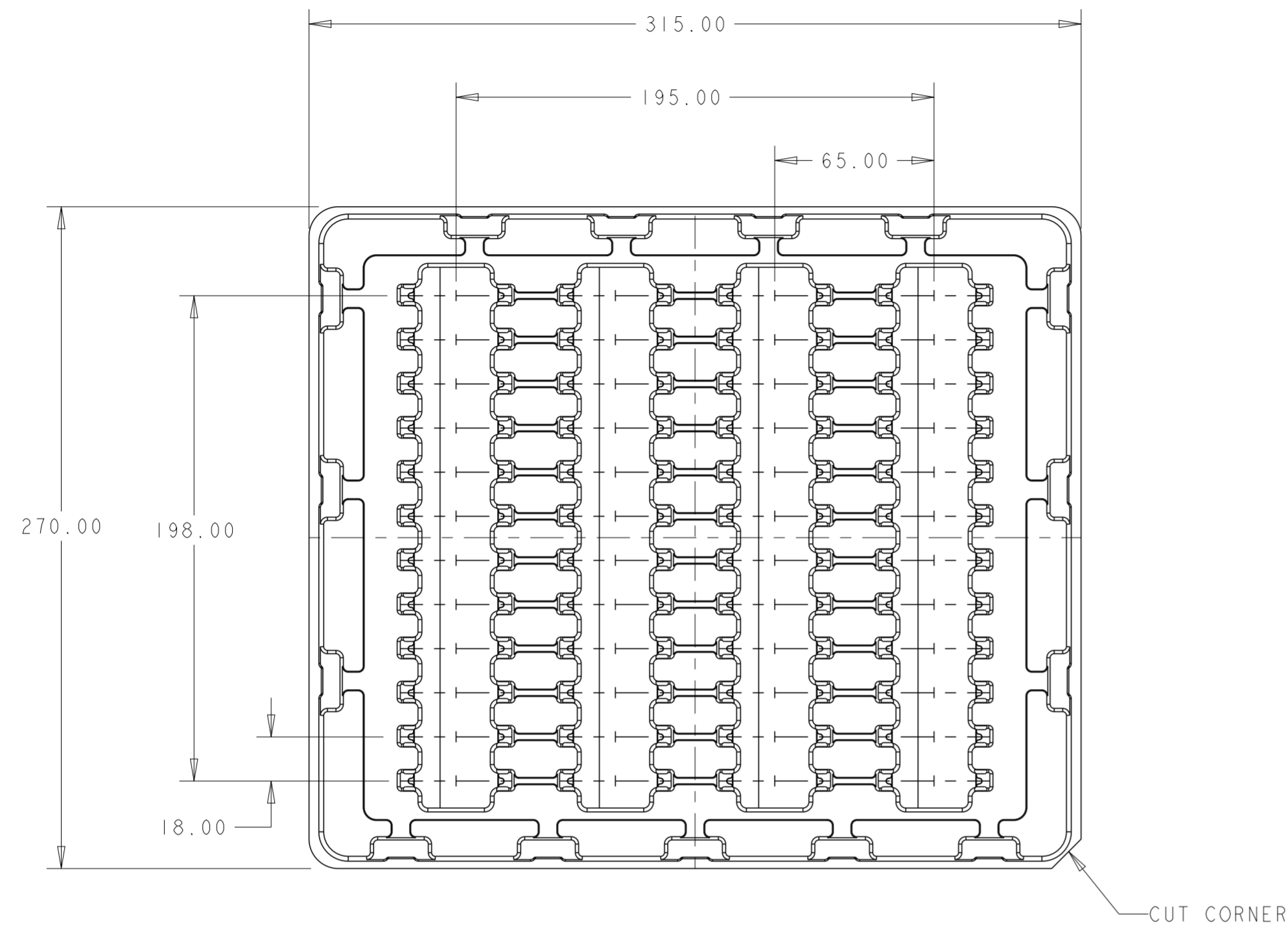


RECOMMENDED PCB LAYOUT  
 SCALE 6:1

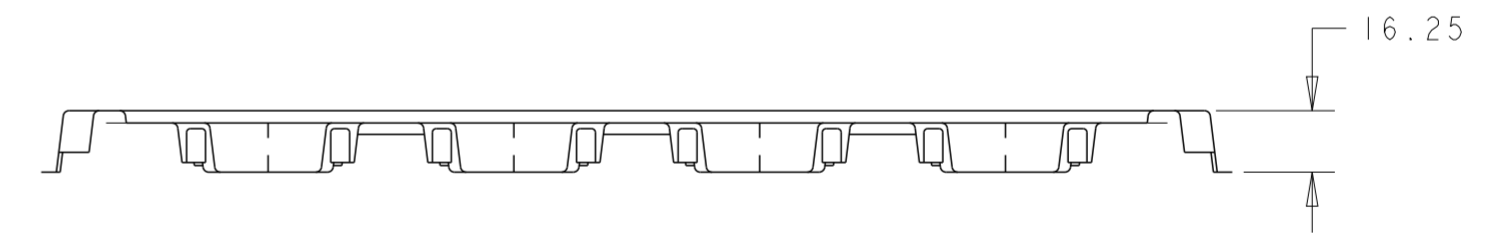
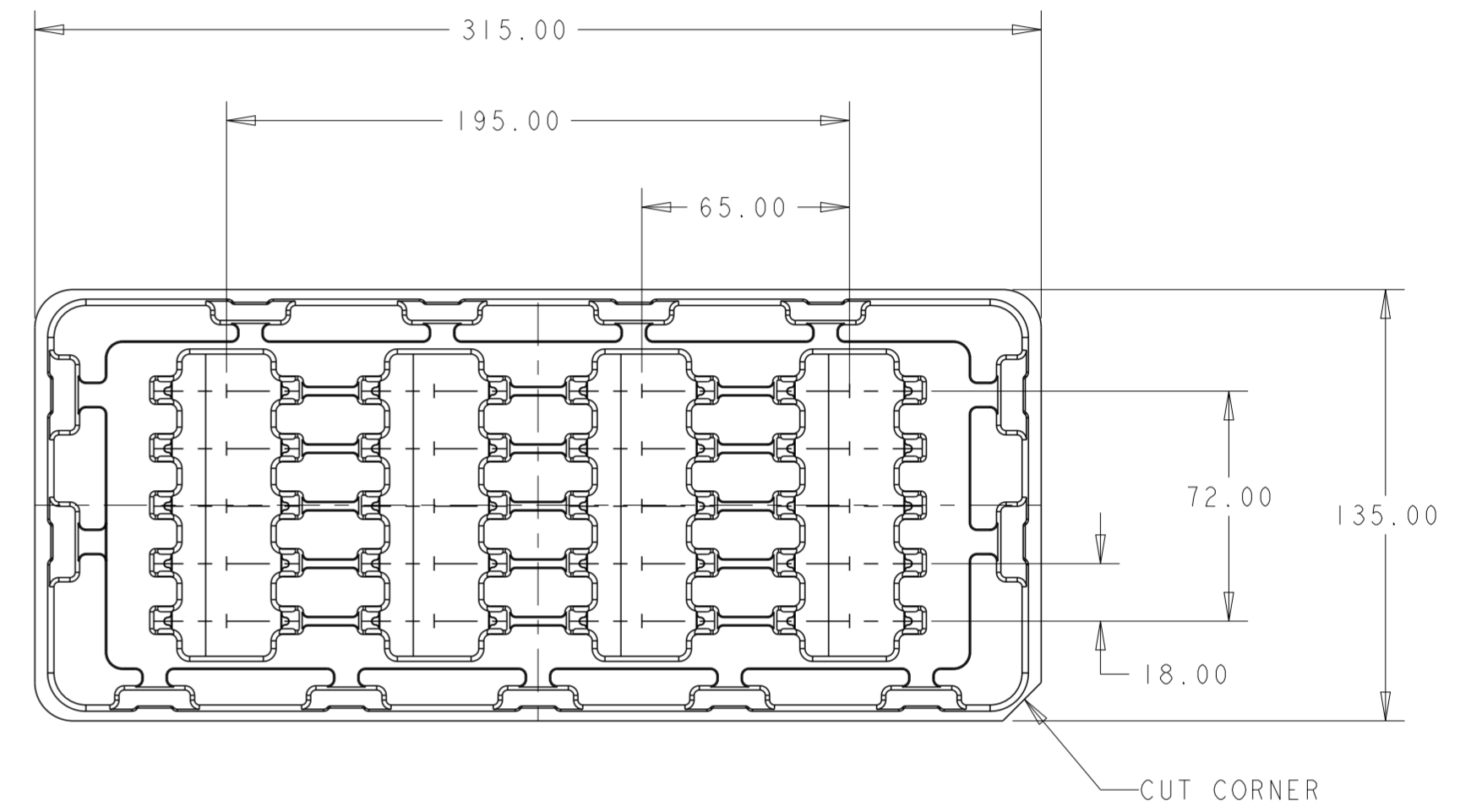
THIS DRAWING IS A CONTROLLED DOCUMENT.		DWN	TE Connectivity		
DIMENSIONS: mm		CHK			
TOLERANCES UNLESS OTHERWISE SPECIFIED:		APVD	NAME		
0 PLC ±	1 PLC ±	PRODUCT SPEC	SATA BACKPLANE RECEPTACLE, VERTICAL, SMT		
2 PLC ±0.20	3 PLC ±	APPLICATION SPEC	SIZE	CAGE CODE	DRAWING NO
4 PLC ±	ANGLES ±3°	WEIGHT	A200779	G-1735284	RESTRICTED TO
MATERIAL	FINISH	CUSTOMER DRAWING	SCALE 4:1	SHEET 2 OF 5	REV D

THIS DRAWING IS UNPUBLISHED. RELEASED FOR PUBLICATION 20  
 © COPYRIGHT 20 BY - ALL RIGHTS RESERVED.

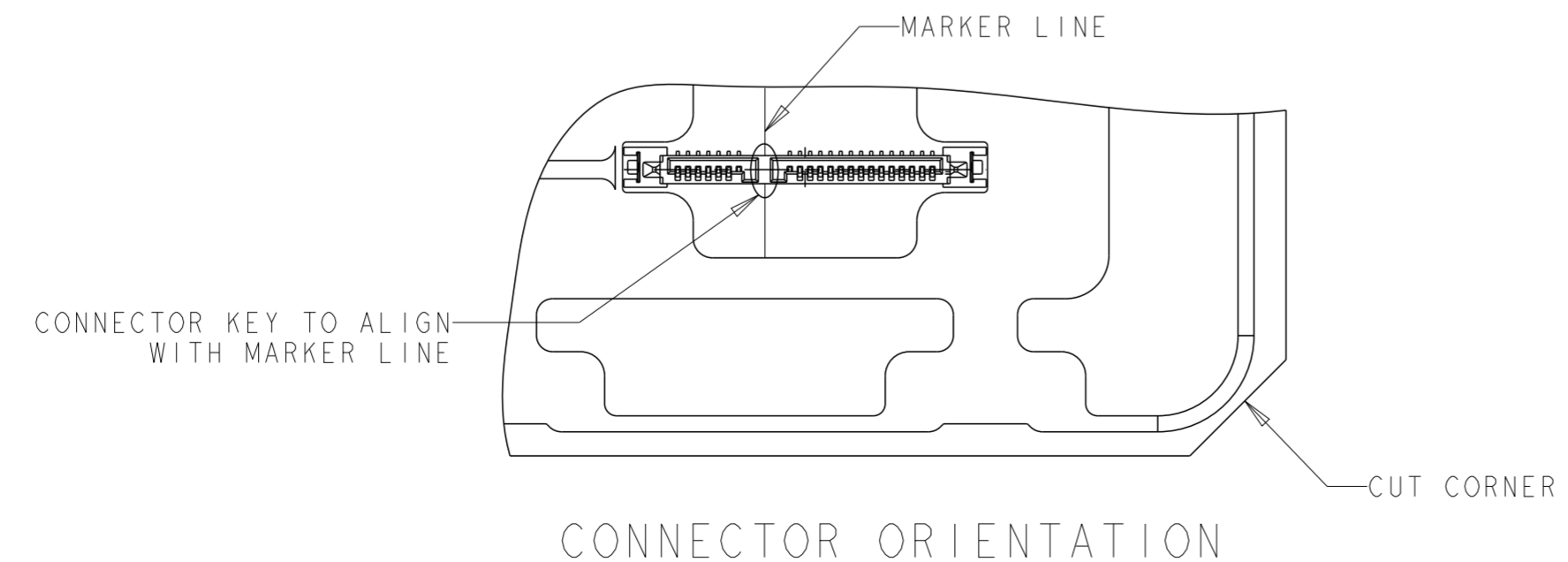
LOC		DIST		REVISIONS				
P	LTR	DESCRIPTION	DATE	DWN	APVD			
-	-	SEE SHEET 1	-	-	-			



TRAY, TYPE 1  
QTY/TRAY: 48PCS



TRAY, TYPE 2  
QTY/TRAY: 20PCS

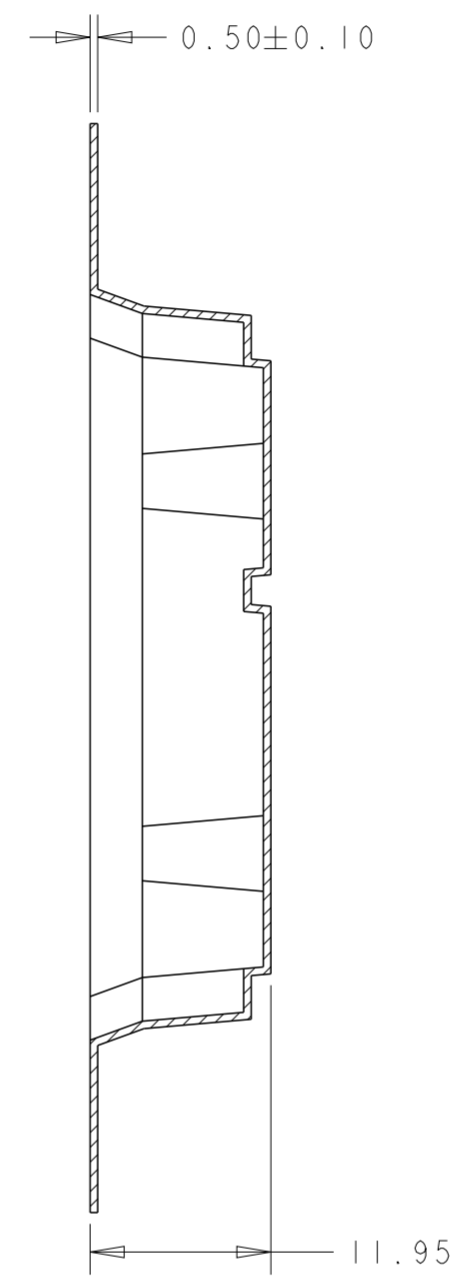
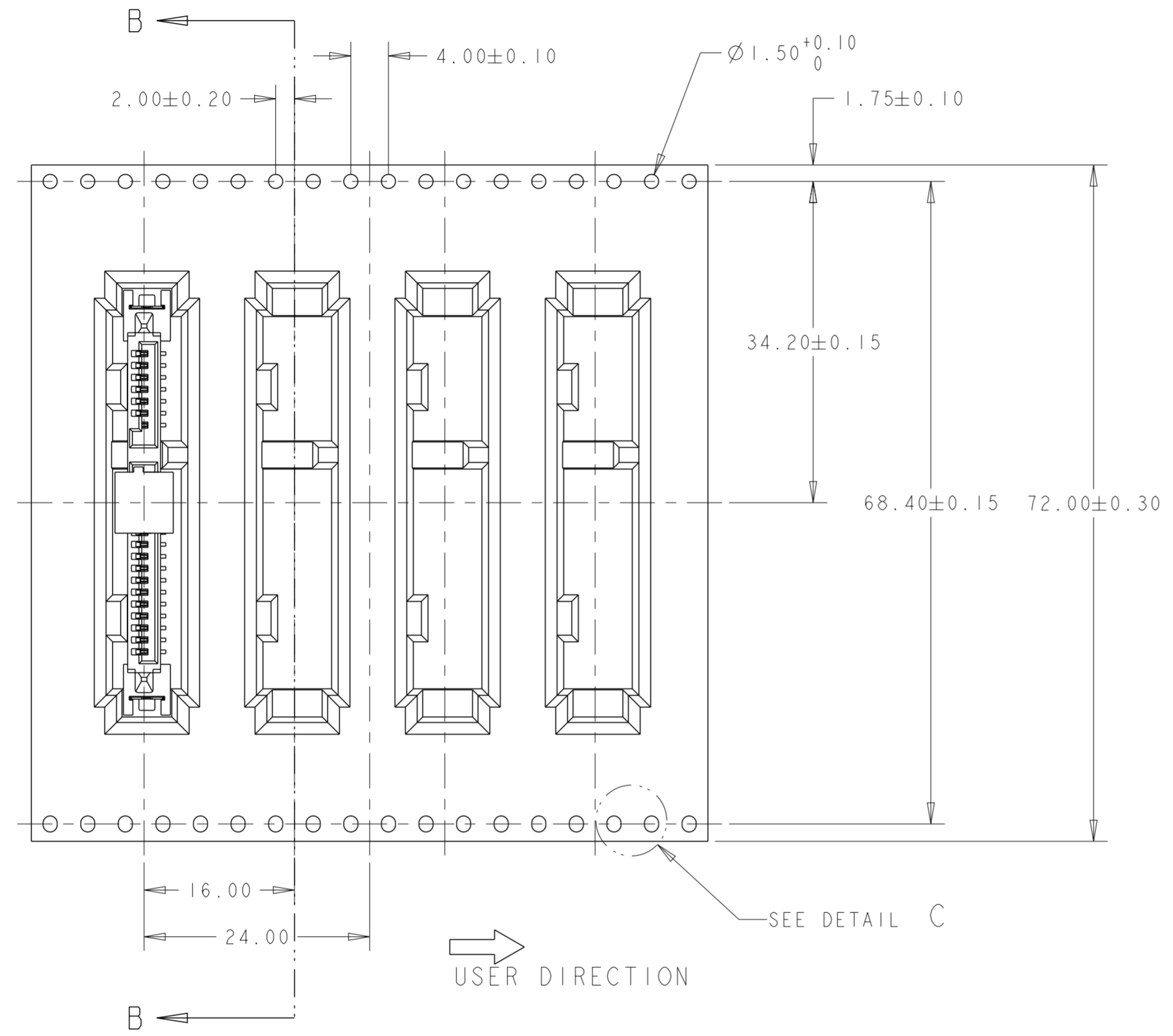


THIS DRAWING IS A CONTROLLED DOCUMENT.		DWN	<b>STE</b> TE Connectivity		
DIMENSIONS: mm		CHK			
TOLERANCES UNLESS OTHERWISE SPECIFIED:		APVD	NAME SATA BACKPLANE RECEPTACLE, VERTICAL, SMT		
0 PLC ±	1 PLC ±	PRODUCT SPEC	SIZE	CAGE CODE	DRAWING NO
2 PLC ±0.20	3 PLC ±	APPLICATION SPEC	A2	00779	C-1735284
4 PLC ±	ANGLES ±3°	WEIGHT	RESTRICTED TO		
MATERIAL	FINISH	CUSTOMER DRAWING	SCALE 4:1	SHEET 3 OF 5	REV D

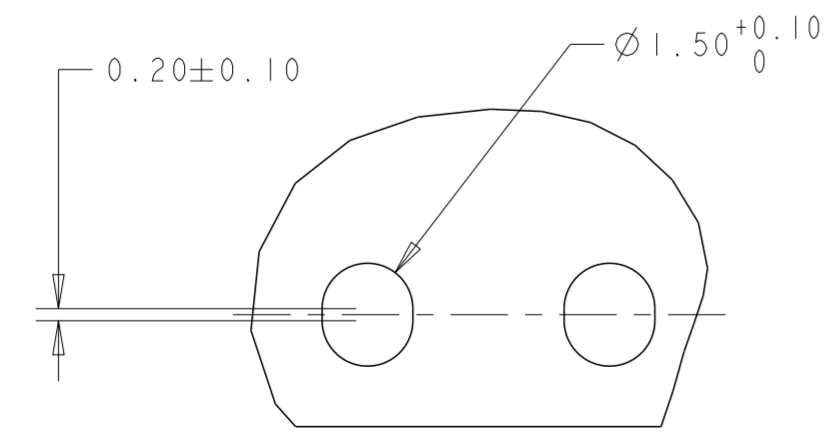
THIS DRAWING IS UNPUBLISHED. RELEASED FOR PUBLICATION 20  
 © COPYRIGHT 20 BY - ALL RIGHTS RESERVED.

LOC		DIST		REVISIONS			
P	LTR	DESCRIPTION	DATE	DWN	APVD		
		SEE SHEET 1					

# T&R FOR LOW PROFILE



- NOTES:  
 1. PACKAGING QUANTITY: 550 PCS PER REEL.  
 2. REEL:  $\varnothing 380$ - $\varnothing 100$ HUB-89W(72.4W INSIDE).



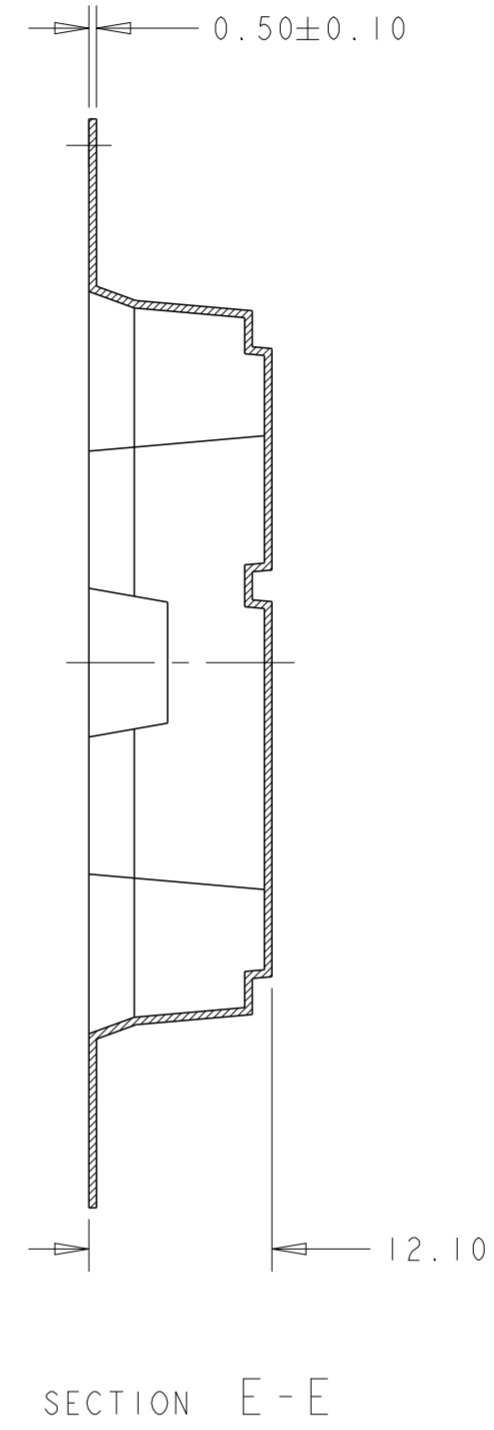
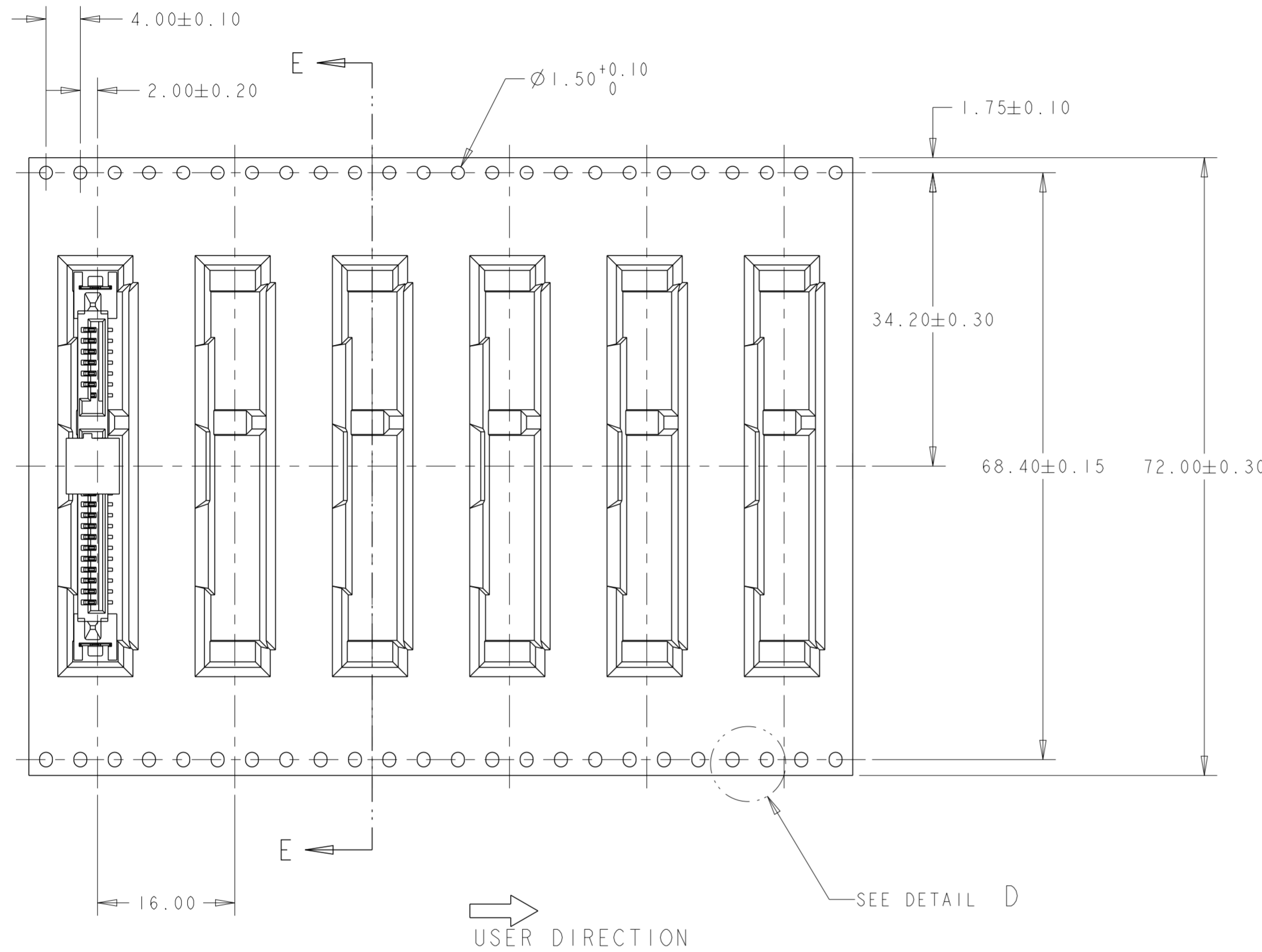
DETAIL C  
SCALE 8:1

THIS DRAWING IS A CONTROLLED DOCUMENT.		DWN	<b>STE</b> TE Connectivity			
DIMENSIONS: mm		CHK				
TOLERANCES UNLESS OTHERWISE SPECIFIED:		APVD	NAME SATA BACKPLANE RECEPTACLE, VERTICAL, SMT			
0 PLC ±		PRODUCT SPEC	SIZE	CAGE CODE	DRAWING NO	RESTRICTED TO
1 PLC ±		APPLICATION SPEC	A2	G-1735284		
2 PLC ±0.3		WEIGHT	SCALE 2:1		SHEET 4 OF 5	REV D
3 PLC ±		CUSTOMER DRAWING				
4 PLC ±						
ANGLES ±5°						
FINISH						

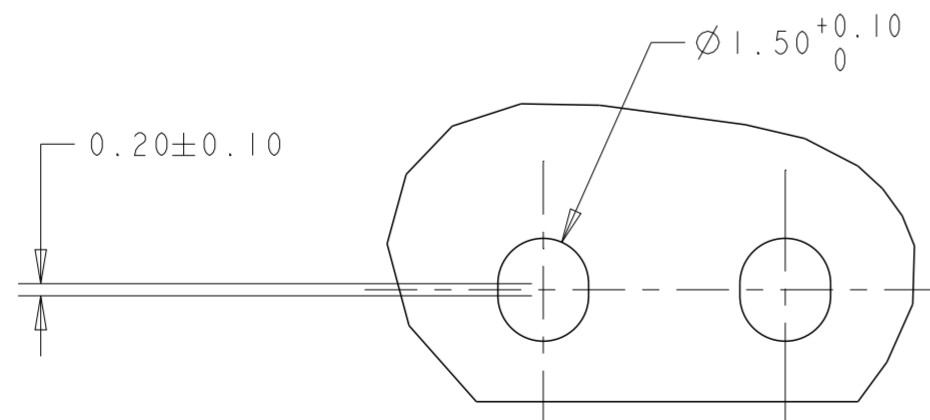
THIS DRAWING IS UNPUBLISHED. RELEASED FOR PUBLICATION 20  
 © COPYRIGHT 20 BY - ALL RIGHTS RESERVED.

LOC		DIST		REVISIONS			
P	LTR	DESCRIPTION	DATE	DWN	APVD		
		SEE SHEET 1					

# T&R FOR STANDARD PROFILE



- NOTES:  
 1. PACKAGING QUANTITY: 450 PCS PER REEL.  
 2. REEL:  $\varnothing 380$ - $\varnothing 100$ HUB-89W(72.4W INSIDE).



DETAIL D  
SCALE 8:1

THIS DRAWING IS A CONTROLLED DOCUMENT.		DWN	<b>STE</b> TE Connectivity	
DIMENSIONS: mm		CHK		
TOLERANCES UNLESS OTHERWISE SPECIFIED:		APVD	NAME	
0 PLC ±	1 PLC ±	PRODUCT SPEC	SATA BACKPLANE RECEPTACLE, VERTICAL, SMT	
2 PLC ±0.3	3 PLC ±	APPLICATION SPEC	SIZE	CAGE CODE
4 PLC ±	ANGLES ±5°	WEIGHT	A2	G-1735284
FINISH		CUSTOMER DRAWING	SCALE 2:1	SHEET 5 OF 5
				REV D

# Mouser Electronics

Authorized Distributor

Click to View Pricing, Inventory, Delivery & Lifecycle Information:

[TE Connectivity:](#)

[1735284-2](#)