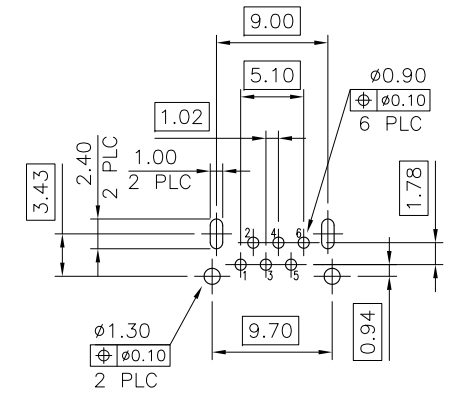
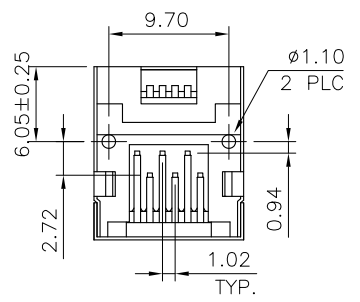
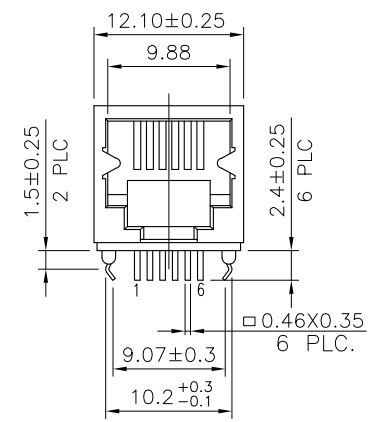
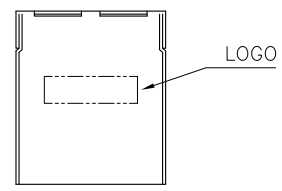
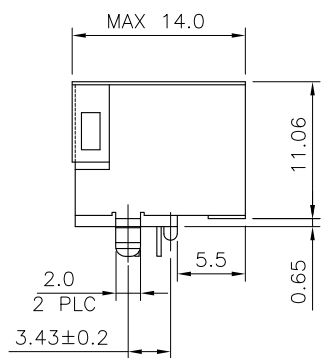
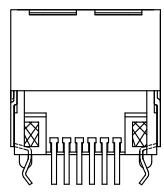


THIS DRAWING IS UNPUBLISHED. RELEASED FOR PUBLICATION
 © COPYRIGHT BY TYCO ELECTRONICS CORPORATION. ALL RIGHTS RESERVED.

LOC	DIST	REVISIONS					
DW	-	P	LTR	DESCRIPTION	DATE	DWN	APVD
		A2		ECR-12-012115	26OCT12	EL	WK



RECOMMENDED PCB LAYOUT (THICKNESS: 1.6mm)
 DIMENSION TOLERANCE: 1 PLC: ±0.1 2PLC: ±0.05

NOTE:

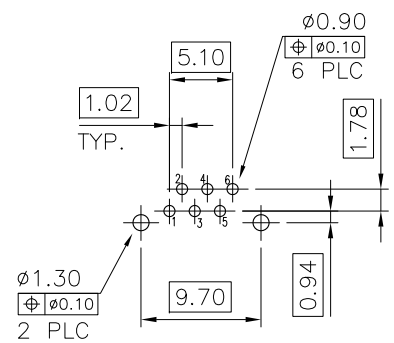
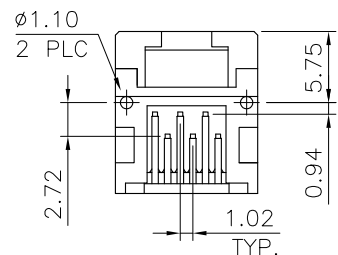
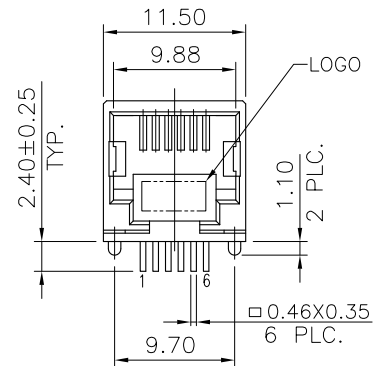
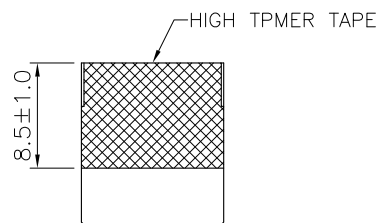
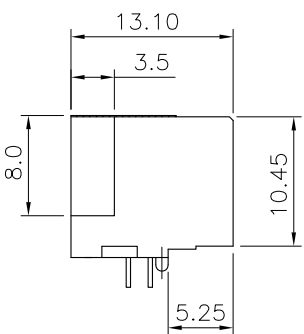
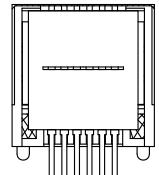
- MATERIAL:
HOUSING: PA46 WITH 30% GF, UL94 V-0, BLACK COLOR.
CONTACTS: PHOSPHOR BRONZE.
SHIELD: BRASS.
 - FINISH:
CONTACTS: (SEE TABLE) GOLD PLATED ON CONTACT AREA, GOLD FLASH ON SOLDER TAIL, WITH ENTIRE CONTACT UNDERPLATED 1.27µm [50µ"] MIN. NICKEL.
SHIELD: 0.51µm [20µ"] MIN. NICKEL PLATED.
 - WAVE SOLDER CAPABLE TO 265°C PER 109-202, CONDITION B.
- ⚠️ OBSOLETE PARTS: OBSOLETE CIS STREAMLINING PER D.RENAUD/D.SINISI

OBSOLETE	6P2C	REEL	1.27µm [50µ"]	2-1734723-8
			0.762µm [30µ"]	2-1734723-7
			0.381µm [15µ"]	2-1734723-6
			0.152µm [6µ"]	2-1734723-5
OBSOLETE	6P2C	TRAY	1.27µm [50µ"]	2-1734723-4
			0.762µm [30µ"]	2-1734723-3
			0.381µm [15µ"]	2-1734723-2
OBSOLETE	6P6C	REEL	1.27µm [50µ"]	-1734723-8
			0.762µm [30µ"]	-1734723-7
		TRAY	0.381µm [15µ"]	1734723-6
			0.152µm [6µ"]	-1734723-5
OBSOLETE	6P6C	TRAY	1.27µm [50µ"]	-1734723-4
			0.762µm [30µ"]	-1734723-3
			0.381µm [15µ"]	-1734723-2
	RJ11	PACKAGE	MIN. GOLD THICKNESS	PART NUMBER

THIS DRAWING IS A CONTROLLED DOCUMENT.		DWN A. WU 10MAR2008	TE Connectivity			
DIMENSIONS: MM		CHK S. HOU 10MAR2008				
TOLERANCES UNLESS OTHERWISE SPECIFIED:		APVD W. KODAMA 10MAR2008	NAME			
0 PLC ± 0.50 1 PLC ± 0.30 2 PLC ± 0.20 3 PLC ± 0.10 4 PLC ± - ANGLES ± -		PRODUCT SPEC 108-57527	MODULAR JACK, RJ11, SINGLE, DIP TYPE			
MATERIAL SEE NOTE		APPLICATION SPEC -	SIZE A3	CAGE CODE -	DRAWING NO C=1734723	RESTRICTED TO -
FINISH SEE NOTE		WEIGHT 3 GRAMS	SCALE -		SHEET 1 of 5	REV A2
		CUSTOMER DRAWING				

THIS DRAWING IS UNPUBLISHED. RELEASED FOR PUBLICATION
 © COPYRIGHT BY TYCO ELECTRONICS CORPORATION. ALL RIGHTS RESERVED.

LOC	DIST	REVISIONS			
DW	-	P	LTR	DESCRIPTION	DATE
				SEE SHEET 1.	
					DWN
					APVD



RECOMMENDED PCB LAYOUT (THICKNESS: 1.6mm)
 DIMENSION TOLERANCE: 1 PLC: ±0.1 2PLC: ±0.05

NOTE:

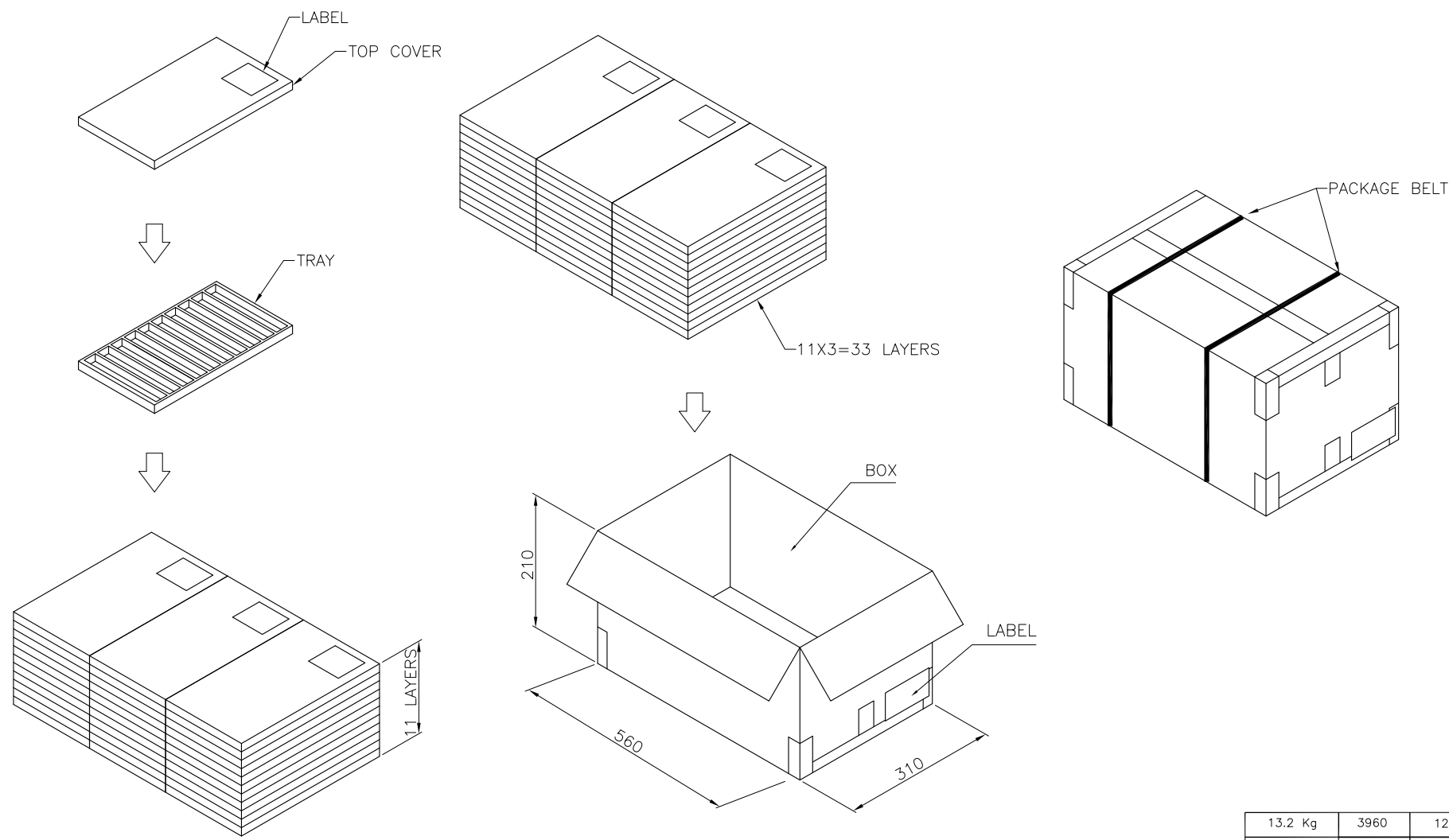
- MATERIAL:
HOUSING: PA46 WITH 30% GF, UL94 V-0, BLACK COLOR.
CONTACTS: PHOSPHOR BRONZE.
SHIELD: BRASS.
 - FINISH:
CONTACTS: (SEE TABLE) GOLD PLATED ON CONTACT AREA, GOLD FLASH ON SOLDER TAIL, WITH ENTIRE CONTACT UNDERPLATED 1.27µm [50µ"] MIN. NICKEL.
 - WAVE SOLDER CAPABLE TO 265°C PER 109-202, CONDITION B.
- 4.** OBSOLETE PARTS: OBSOLETE CIS STREAMLINING PER D.RENAUD/D.SINISI

OBSOLETE	6P6C	REEL	1.27µm [50µ"]	1-1734723-8
			0.762µm [30µ"]	1-1734723-7
0.381µm [15µ"]		1-1734723-6		
0.152µm [6µ"]		1-1734723-5		
OBSOLETE	TRAY	1.27µm [50µ"]	1-1734723-4	
		0.762µm [30µ"]	1-1734723-3	
		0.381µm [15µ"]	1-1734723-2	
			0.152µm [6µ"]	1-1734723-1
	RJ11	PACKAGE	MIN. GOLD THICKNESS	PART NUMBER


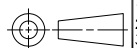
THIS DRAWING IS A CONTROLLED DOCUMENT.		DWN	A. WU	10MAR2008	 TE Connectivity MODULAR JACK, RJ11, SINGLE, DIP TYPE
DIMENSIONS: MM		CHK	S. HOU	10MAR2008	
TOLERANCES UNLESS OTHERWISE SPECIFIED:		APVD	W. KODAMA	10MAR2008	
0 PLC ± 0.50 1 PLC ± 0.30 2 PLC ± 0.20 3 PLC ± 0.10 4 PLC ± - ± - ANGLES ± - ± -		PRODUCT SPEC	108-57527		
MATERIAL	SEE NOTE	FINISH	SEE NOTE	APPLICATION SPEC	NAME
				WEIGHT	2.5 GRAMS
				SIZE	A3
				CAGE CODE	-
				DRAWING NO	©=1734723
				RESTRICTED TO	-
				CUSTOMER DRAWING	SCALE - SHEET 2 OF 5 REV A2

THIS DRAWING IS UNPUBLISHED. RELEASED FOR PUBLICATION
 © COPYRIGHT BY TYCO ELECTRONICS CORPORATION. ALL RIGHTS RESERVED.

LOC		DIST		REVISIONS					
DW		-		P	LTR	DESCRIPTION	DATE	DWN	APVD
SEE SHEET 1.									

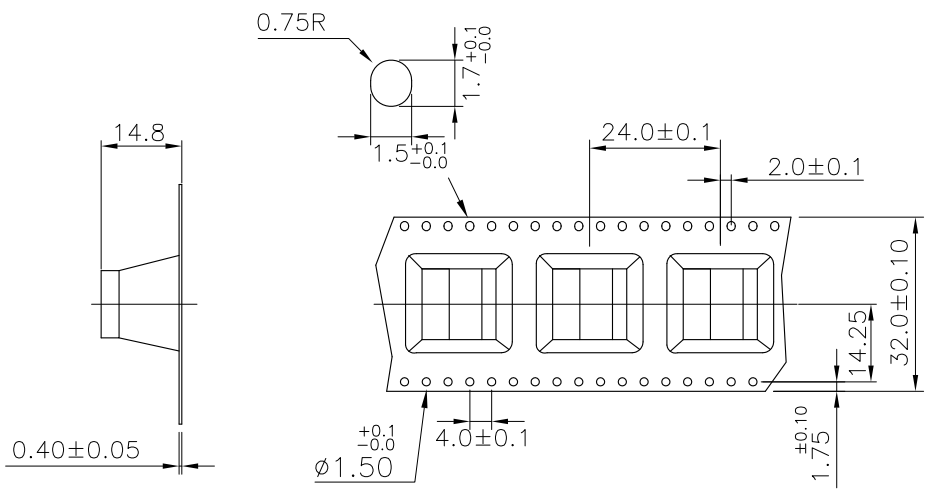
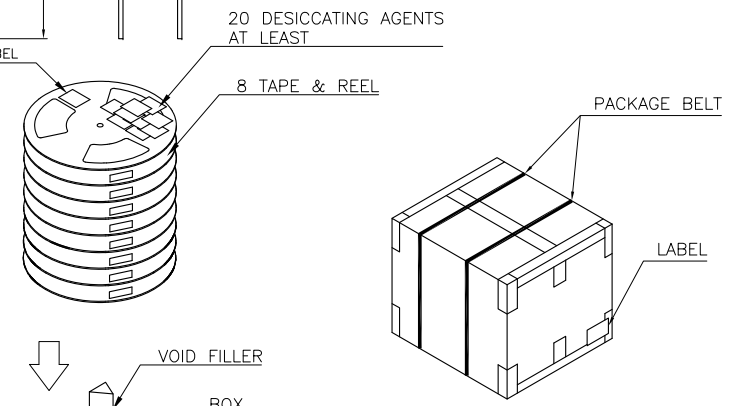
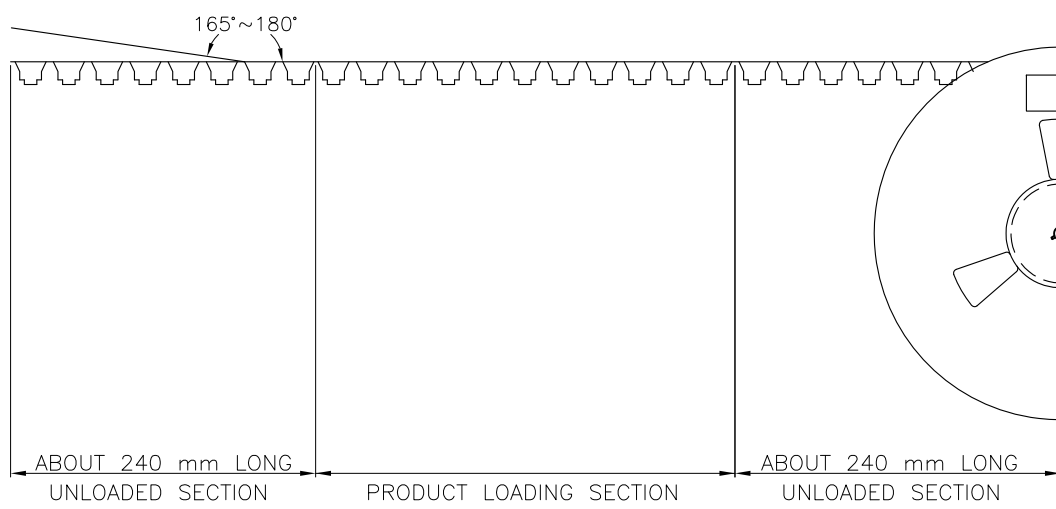


13.2 Kg	3960	120	1734723-1
GROSS WEIGHT	TOTAL	PCS/TRAY	PART NUMBER

THIS DRAWING IS A CONTROLLED DOCUMENT.		DWN	A. WU	10MAR2008	 TE Connectivity
DIMENSIONS: MM		CHK	S. HOU	10MAR2008	
		APVD	W. KODAMA	10MAR2008	
TOLERANCES UNLESS OTHERWISE SPECIFIED:		PRODUCT SPEC		NAME	
0 PLC ± - 1 PLC ± - 2 PLC ± - 3 PLC ± - 4 PLC ± - ANGLES ± -		APPLICATION SPEC		MODULAR JACK, RJ11, SINGLE, DIP TYPE	
MATERIAL		WEIGHT		SIZE	RESTRICTED TO
FINISH		-		A3	-
CUSTOMER DRAWING				SCALE	-
				SHEET	4 of 5
				REV	A2

THIS DRAWING IS UNPUBLISHED. RELEASED FOR PUBLICATION
 © COPYRIGHT BY TYCO ELECTRONICS CORPORATION. ALL RIGHTS RESERVED.

LOC DW	DIST -	REVISIONS			
P	LTR	DESCRIPTION	DATE	DWN	APVD
		SEE SHEET 1.			



200	8	1600	7	5
PCS/ TAPE	REELS/ BOX	QUANTITY (PCS)	G/W (Kg)	N/W (Kg)

THIS DRAWING IS A CONTROLLED DOCUMENT.		DWN A. WU	10MAR2008	 TE Connectivity	NAME MODULAR JACK, RJ11, SINGLE, DIP TYPE		
DIMENSIONS: MM		CHK S. HOU	10MAR2008				
TOLERANCES UNLESS OTHERWISE SPECIFIED:		APVD W. KODAMA	10MAR2008				
0 PLC ± - 1 PLC ± - 2 PLC ± - 3 PLC ± - 4 PLC ± - ANGLES ± -		PRODUCT SPEC -	APPLICATION SPEC -				
MATERIAL	FINISH	WEIGHT	-	SIZE A3	CAGE CODE -	DRAWING NO C=1734723	RESTRICTED TO -
CUSTOMER DRAWING				SCALE -	SHEET 5 of 5	REV A2	

Mouser Electronics

Authorized Distributor

Click to View Pricing, Inventory, Delivery & Lifecycle Information:

[TE Connectivity:](#)

[1734723-1](#)