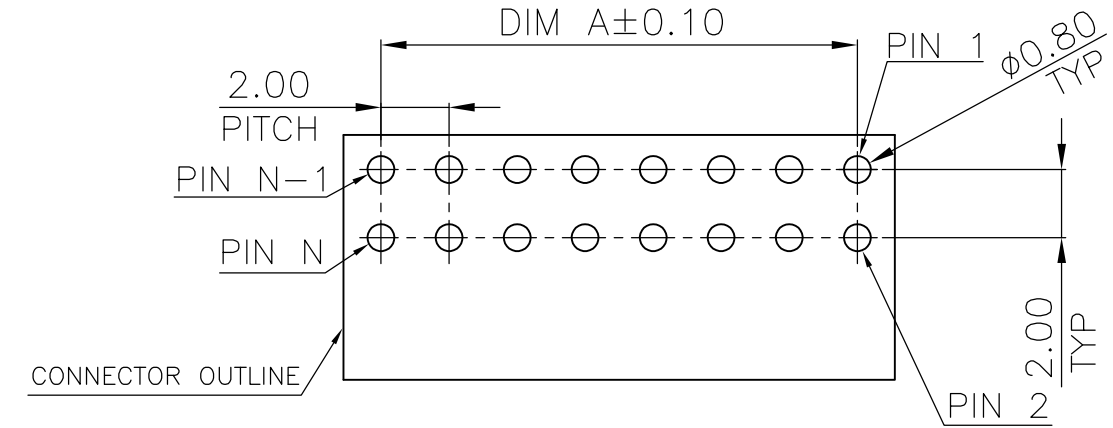
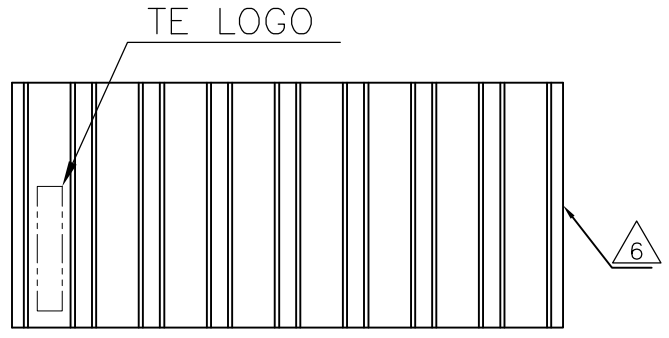
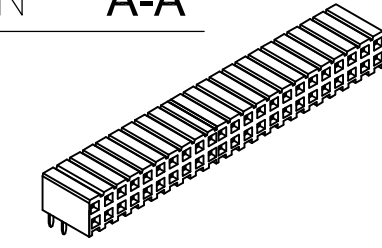
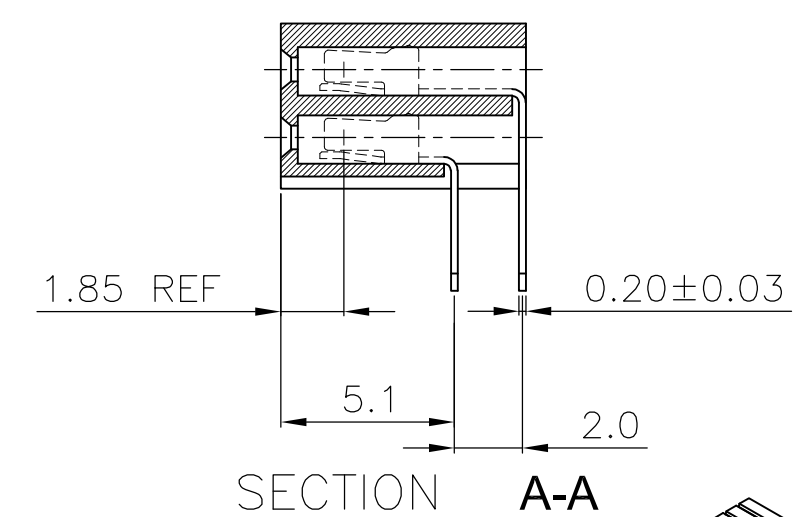
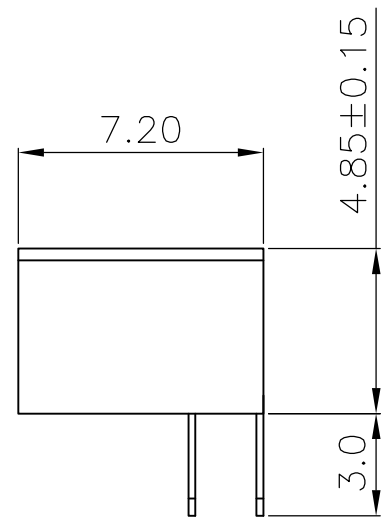
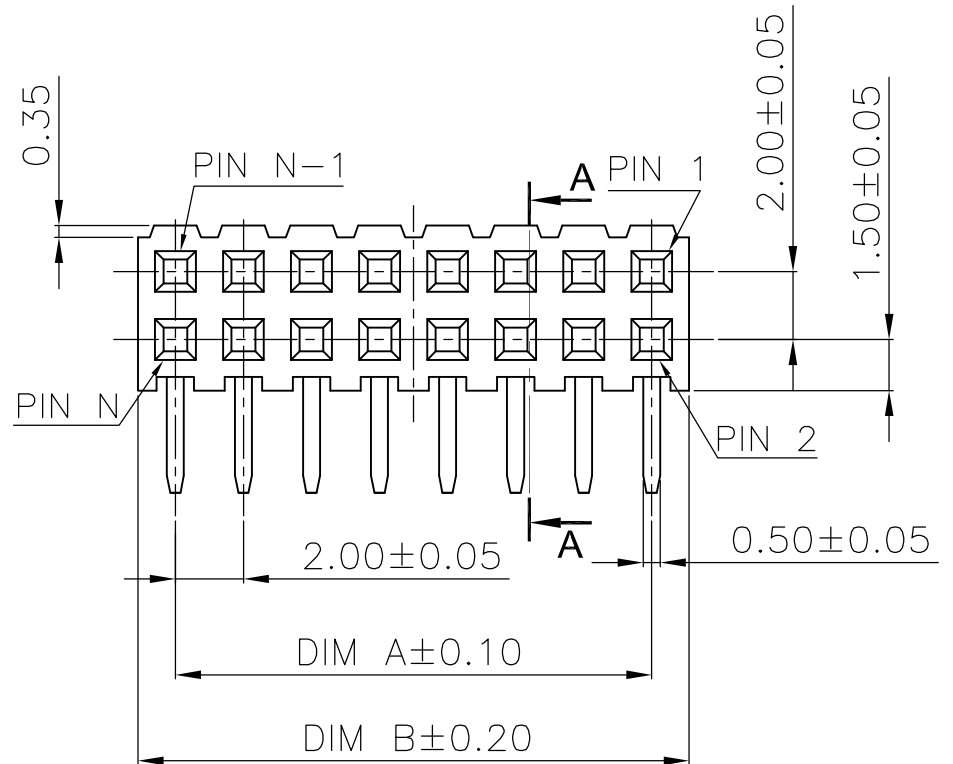


THIS DRAWING IS UNPUBLISHED
 © COPYRIGHT - By - ALL RIGHTS RESERVED.

LOC	DIST	REVISIONS					
IR	-	P	LTR	DESCRIPTION	DATE	DWN	APVD
			D4	P/N 1-1734531-0 REACTIVATED	13JAN2014	KJK	JKS



RECOMMENDED PCB LAYOUT
 TOLERANCE ± 0.05 (TOP VIEW)



OBSOLETE	78.00	80.20	80	8-	-0
	76.00	78.20	78	7-	-8
	74.00	76.20	76	7-	-6
	72.00	74.20	74	7-	-4
	70.00	72.20	72	7-	-2
	68.00	70.20	70	7-	-0
	66.00	68.20	68	6-	-8
	64.00	66.20	66	6-	-6
	62.00	64.20	64	6-	-4
	60.00	62.20	62	6-	-2
	58.00	60.20	60	6-	-0
	56.00	58.20	58	5-	-8
	54.00	56.20	56	5-	-6
	52.00	54.20	54	5-	-4
OBSOLETE	50.00	52.20	52	5-	-2
	48.00	50.20	50	5-	-0
	46.00	48.20	48	4-	-8
	44.00	46.20	46	4-	-6
	42.00	44.20	44	4-	-4
	40.00	42.20	42	4-	-2
	38.00	40.20	40	4-	-0
	36.00	38.20	38	3-	-8
OBSOLETE	34.00	36.20	36	3-	-6
	32.00	34.20	34	3-	-4
	30.00	32.20	32	3-	-2
	28.00	30.20	30	3-	-0
OBSOLETE	26.00	28.20	28	2-	-8
	24.00	26.20	26	2-	-6
	22.00	24.20	24	2-	-4
	20.00	22.20	22	2-	-2
	18.00	20.20	20	2-	-0
	16.00	18.20	18	1-	-8
	14.00	16.20	16	1-	-6
	12.00	14.20	14	1-	-4
	10.00	12.20	12	1-	-2
	8.00	10.20	10	1-	-0
OBSOLETE	6.00	8.20	8		1734531-8
	4.00	6.20	6		1734531-6
	2.00	4.20	4		1734531-4
	DIM A	DIM B	POSITION NUMBER	PART NUMBER	
	DIMENSIONS				

NOTE :

1 MATERIAL :
 HOUSING : THERMOPLASTIC, UL94V-0, BLACK COLOR
 CONTACT : PHOSPHOR BRONZE, THICKNESS=0.20mm.

2 FINISH :
 CONTACT: 0.254mm [10m"] MIN. GOLD PLATED ON CONTACT AREA
 2.54mm [100m"] MIN. BRIGHT TIN PLATED ON SOLDER TAIL,
 1.27mm [50m"] MIN. NICKEL UNDERPLATED OVER ALL

3 APPLICATION :
 SOLDER TAIL LENGTH 2.6 FOR PCB THICKNESS 1.6±0.1

4 WAVE SOLDER CAPABLE TO 265°C PER TE SPEC 109-202, CONDITION B

5 NO CUMULATIVE TOLERANCE

6 DATECODE: YY WW D *
 ASS'Y LINE NO.
 DAY
 WEEK CODE
 YEAR

7 QUALIFICATION TEST REPORT: 501-57197

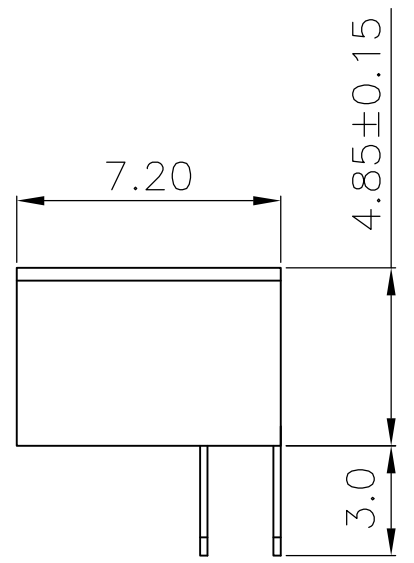
THIS DRAWING IS A CONTROLLED DOCUMENT.		DWN	O.HU	05JUL2005	 TE Connectivity	NAME		AMPMODU 2.0mm PITCH, RCPT CONN., RIGHT-ANGLE, MOUNT TYPE		
DIMENSIONS: mm		CHK	S.HOU	05JUL2005		PRODUCT SPEC		SIZE	CAGE CODE	DRAWING NO
TOLERANCES UNLESS OTHERWISE SPECIFIED:		APVD	W.J.KE	05JUL2005		APPLICATION SPEC		108-57197		
0 PLC ± 0.5 1 PLC ± 0.2 2 PLC ± 0.1 3 PLC ± 0.05 4 PLC ANGLES ± - ± 3° FINISH		MATERIAL		WEIGHT		A300779		C=1734531		
 1		 2		CUSTOMER DRAWING		SCALE	1:1	SHEET	1 OF 3	
						RESTRICTED TO		REV D4		

THIS DRAWING IS UNPUBLISHED
 RELEASED FOR PUBLICATION
 © COPYRIGHT - By - ALL RIGHTS RESERVED.

LOC	DIST	REVISIONS			
P	LTR	DESCRIPTION	DATE	DWN	APVD
IR	-	SEE SHEET 1	-	-	-



△ 5 RECOMMENDED PCB LAYOUT
 TOLERANCE ± 0.05 (TOP VIEW)



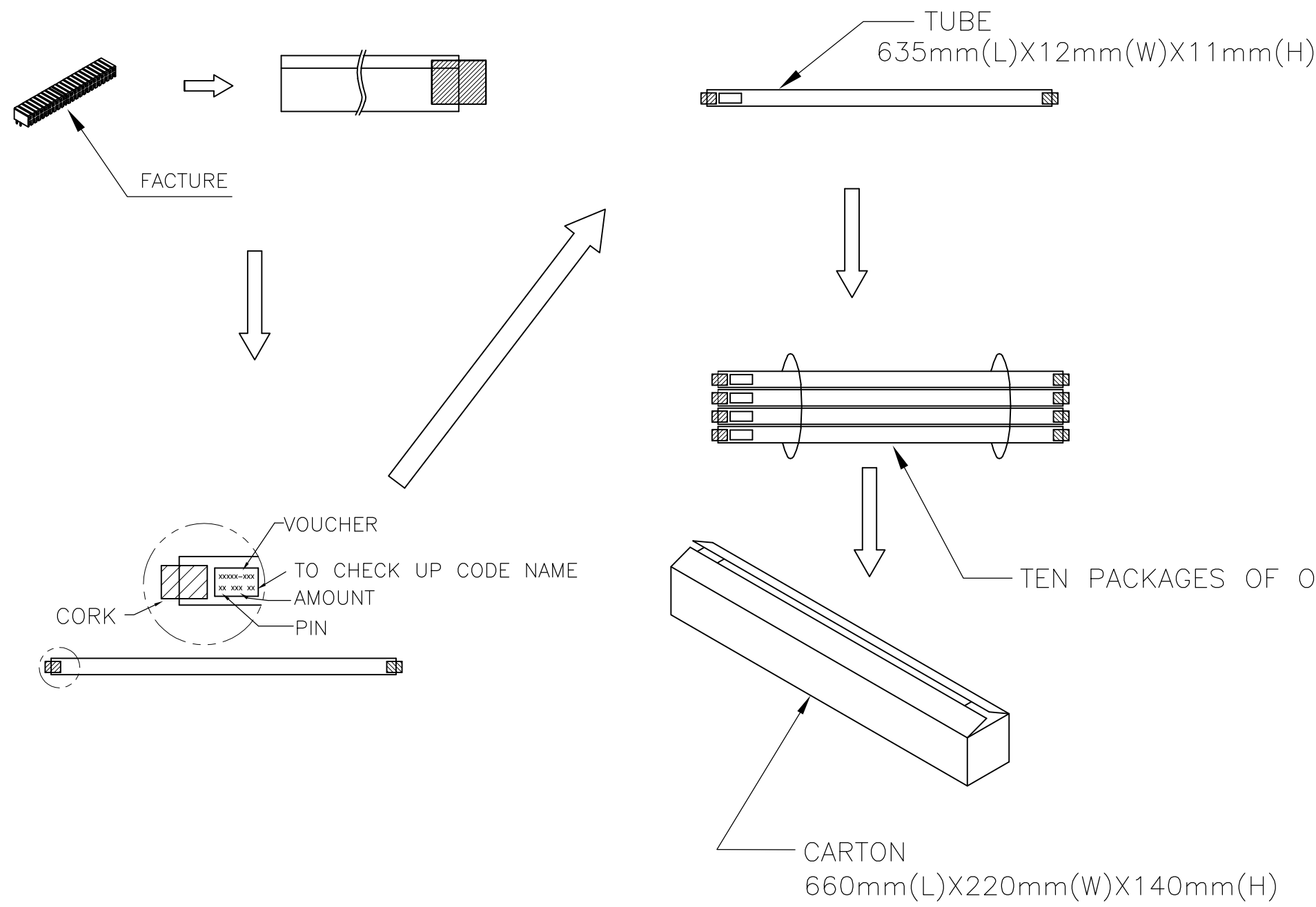
SECTION A-A

9	1734531-9
POSITION NUMBER	PART NUMBER

THIS DRAWING IS A CONTROLLED DOCUMENT.		DWN	O.HU	05JUL2005	TE Connectivity AMPMODU 2.0mm PITCH, RCPT CONN., RIGHT-ANGLE, MOUNT TYPE								
DIMENSIONS: mm		CHK	S.HOU	05JUL2005				NAME					
TOLERANCES UNLESS OTHERWISE SPECIFIED:		APVD	W.J.KE	05JUL2005				PRODUCT SPEC					
0 PLC ± 0.5 1 PLC ± 0.2 2 PLC ± 0.1 3 PLC ± 0.05 4 PLC ± - ANGLES ± 3°		APPLICATION SPEC		108-57197									
MATERIAL	SEE SHEET 1	FINISH	SEE SHEET 1	WEIGHT	-	SIZE	A3	CAGE CODE	00779	DRAWING NO	C=1734531	RESTRICTED TO	-
CUSTOMER DRAWING				SCALE	1:1	SHEET	2 OF 3	REV	D4				

THIS DRAWING IS UNPUBLISHED
 © COPYRIGHT - By - ALL RIGHTS RESERVED.

LOC	DIST	REVISIONS			
P	LTR	DESCRIPTION	DATE	DWN	APVD
	-	SEE SHEET 1	-	-	-



QTY	TUBE/ CARTON	PCS/ TUBE	POSITION NUMBER	PART NUMBER
OBSOLETE	1050	150	7	80
	1050	150	7	78
	1050	150	7	76
	1200	150	8	74
	1200	150	8	72
	1200	150	8	70
	1200	150	8	68
	1350	150	9	66
	1350	150	9	64
	1350	150	9	62
	1500	150	10	60
	1500	150	10	58
	1500	150	10	56
	1650	150	11	54
OBSOLETE	1650	150	11	52
	1800	150	12	50
	1800	150	12	48
	1950	150	13	46
	1950	150	13	44
	2100	150	14	42
	2100	150	14	40
	2250	150	15	38
OBSOLETE	2400	150	16	36
	2550	150	17	34
	2700	150	18	32
	2850	150	19	30
	3150	150	21	28
OBSOLETE	3300	150	22	26
	3600	150	24	24
	3900	150	26	22
	4350	150	29	20
	4800	150	32	18
	5400	150	36	16
	6150	150	41	14
	7200	150	48	12
	8550	150	57	10
	8550	150	57	9
OBSOLETE	10650	150	72	8
	14400	150	96	6
	21600	150	144	4

THIS DRAWING IS A CONTROLLED DOCUMENT.		DWN O.HU	05JUL2005	TE Connectivity AMPMODU 2.0mm PITCH, RCPT CONN., RIGHT-ANGLE, MOUNT TYPE			
DIMENSIONS: mm		CHK S.HOU	05JUL2005				
TOLERANCES UNLESS OTHERWISE SPECIFIED:		APVD W.J.KE	05JUL2005				
0 PLC ± 0.5 1 PLC ± 0.2 2 PLC ± 0.1 3 PLC ± 0.05 4 PLC ± - ANGLES ± 3°		PRODUCT SPEC 108-57197	NAME				
MATERIAL SEE SHEET 1	FINISH SEE SHEET 1	APPLICATION SPEC -	WEIGHT -	SIZE A3	CAGE CODE 00779	DRAWING NO C-1734531	RESTRICTED TO -
CUSTOMER DRAWING				SCALE 1:1	SHEET 3 OF 3	REV D4	

Mouser Electronics

Authorized Distributor

Click to View Pricing, Inventory, Delivery & Lifecycle Information:

[TE Connectivity:](#)

[4-1734531-2](#)