

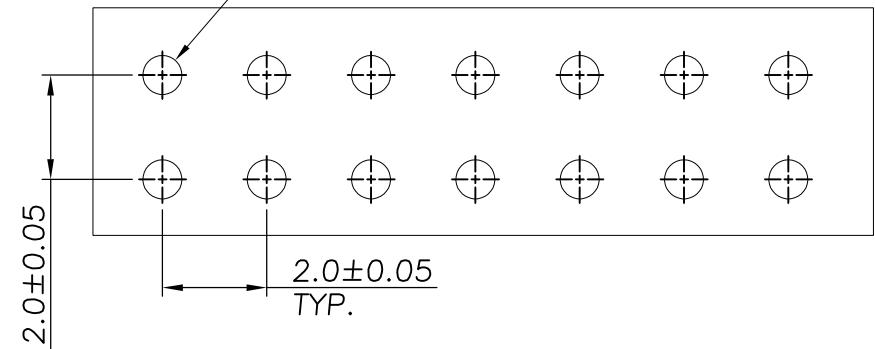
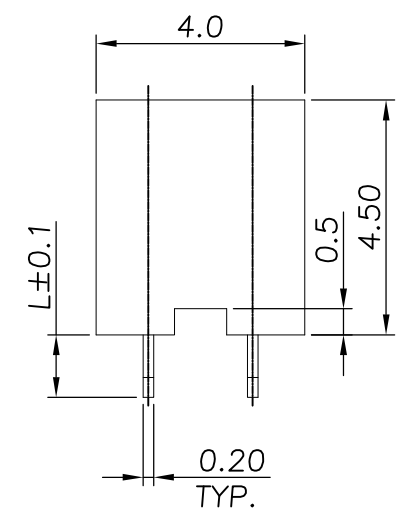
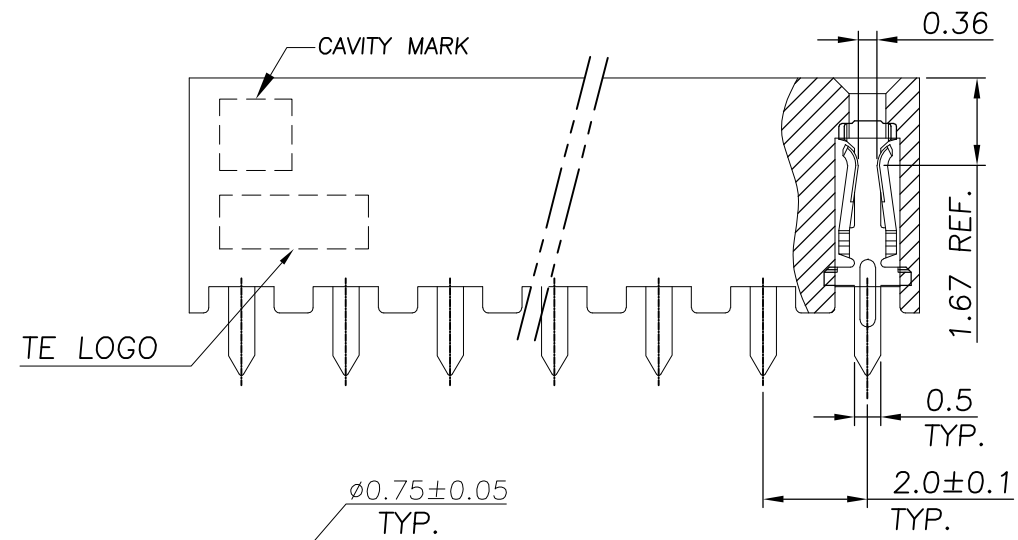
THIS DRAWING IS UNPUBLISHED
 RELEASED FOR PUBLICATION MAR ,2006.
 ALL RIGHTS RESERVED.

| LOC | DIST | REVISIONS | | | | | |
|-----|------|-----------|-----|-------------------------------|---------|-----|------|
| | | P | LTR | DESCRIPTION | DATE | DWN | APVD |
| IR | - | B | | RELEASED AS PER ECR-09-017658 | 06AUG09 | SRE | PCH |
| | | B1 | | ECR-10-026537 | 21JAN11 | KK | HMR |

- NOTE:
- 1 MATERIAL :
HOUSING : THERMOPLASTIC, UL94V-0, BLACK COLOR.
CONTACT : PHOSPHOR BRASS, THICKNESS=0.20mm.
 - 2 FINISH:
CONTACT : GOLD PLATED (SEE TABLE) ON CONTACT AREA
80μ" MIN. MATTE TIN PLATED ON SOLDER TAILS,
50μ" MIN. NICKEL UNDERPLATED ALL OVER
 - 3 APPLICATION :
SOLDERTAIL LENGTH 2.6 FOR PCB THICKNESS 1.0 MAX.
1.2 FOR PCB THICKNESS 0.3 MAX.
 - 4. WAVE SOLDER CAPABLE TO 265°C PER TE SPEC 109-202, CONDITION B
 - 5. QUALIFICATION TEST REPORT: 501-57197



POSITION NUMBERS FOR REFERENCE ONLY
AND DO NOT APPEAR ON PART



RECOMMENDED PCB LAYOUT

| KEYING POS. | A | B | POS | PART NUMBER | KEYING POS. | A | B | POS | PART NUMBER | |
|-------------|----|----|-----|-------------|-------------|----|----|-----|-------------|---|
| 6 | 40 | 38 | 40 | 9 | 9 | 40 | 38 | 40 | 4 | 9 |
| | 50 | 48 | 50 | 9 | 8 | 50 | 48 | 50 | 4 | 8 |
| | 48 | 46 | 48 | 9 | 7 | 48 | 46 | 48 | 4 | 7 |
| | 46 | 44 | 46 | 9 | 6 | 46 | 44 | 46 | 4 | 6 |
| | 44 | 42 | 44 | 9 | 5 | 44 | 42 | 44 | 4 | 5 |
| | 42 | 40 | 42 | 9 | 4 | 42 | 40 | 42 | 4 | 4 |
| | 40 | 38 | 40 | 9 | 3 | 40 | 38 | 40 | 4 | 3 |
| | 38 | 36 | 38 | 9 | 2 | 38 | 36 | 38 | 4 | 2 |
| | 36 | 34 | 36 | 9 | 1 | 36 | 34 | 36 | 4 | 1 |
| | 34 | 32 | 34 | 9 | 0 | 34 | 32 | 34 | 4 | 0 |
| | 32 | 30 | 32 | 8 | 9 | 32 | 30 | 32 | 3 | 9 |
| | 30 | 28 | 30 | 8 | 8 | 30 | 28 | 30 | 3 | 8 |
| | 28 | 26 | 28 | 8 | 7 | 28 | 26 | 28 | 3 | 7 |
| | 26 | 24 | 26 | 8 | 6 | 26 | 24 | 26 | 3 | 6 |
| | 24 | 22 | 24 | 8 | 5 | 24 | 22 | 24 | 3 | 5 |
| | 22 | 20 | 22 | 8 | 4 | 22 | 20 | 22 | 3 | 4 |
| | 20 | 18 | 20 | 8 | 3 | 20 | 18 | 20 | 3 | 3 |
| | 18 | 16 | 18 | 8 | 2 | 18 | 16 | 18 | 3 | 2 |
| | 16 | 14 | 16 | 8 | 1 | 16 | 14 | 16 | 3 | 1 |
| | 14 | 12 | 14 | 8 | 0 | 14 | 12 | 14 | 3 | 0 |
| | 12 | 10 | 12 | 7 | 9 | 12 | 10 | 12 | 2 | 9 |
| | 10 | 8 | 10 | 7 | 8 | 10 | 8 | 10 | 2 | 8 |
| | 8 | 6 | 8 | 7 | 7 | 8 | 6 | 8 | 2 | 7 |
| | 6 | 4 | 6 | 7 | 6 | 6 | 4 | 6 | 2 | 6 |
| | 4 | 2 | 4 | 7 | 5 | 4 | 2 | 4 | 2 | 5 |
| | 50 | 48 | 50 | 7 | 4 | 50 | 48 | 50 | 2 | 4 |
| | 48 | 46 | 48 | 7 | 3 | 48 | 46 | 48 | 2 | 3 |
| | 46 | 44 | 46 | 7 | 2 | 46 | 44 | 46 | 2 | 2 |
| | 44 | 42 | 44 | 7 | 1 | 44 | 42 | 44 | 2 | 1 |
| | 42 | 40 | 42 | 7 | 0 | 42 | 40 | 42 | 2 | 0 |
| | 40 | 38 | 40 | 6 | 9 | 40 | 38 | 40 | 1 | 9 |
| | 38 | 36 | 38 | 6 | 8 | 38 | 36 | 38 | 1 | 8 |
| | 36 | 34 | 36 | 6 | 7 | 36 | 34 | 36 | 1 | 7 |
| | 34 | 32 | 34 | 6 | 6 | 34 | 32 | 34 | 1 | 6 |
| | 32 | 30 | 32 | 6 | 5 | 32 | 30 | 32 | 1 | 5 |
| | 30 | 28 | 30 | 6 | 4 | 30 | 28 | 30 | 1 | 4 |
| | 28 | 26 | 28 | 6 | 3 | 28 | 26 | 28 | 1 | 3 |
| | 26 | 24 | 26 | 6 | 2 | 26 | 24 | 26 | 1 | 2 |
| | 24 | 22 | 24 | 6 | 1 | 24 | 22 | 24 | 1 | 1 |
| | 22 | 20 | 22 | 6 | 0 | 22 | 20 | 22 | 1 | 0 |
| | 20 | 18 | 20 | 5 | 9 | 20 | 18 | 20 | 0 | 9 |
| | 18 | 16 | 18 | 5 | 8 | 18 | 16 | 18 | 0 | 8 |
| | 16 | 14 | 16 | 5 | 7 | 16 | 14 | 16 | 0 | 7 |
| | 14 | 12 | 14 | 5 | 6 | 14 | 12 | 14 | 0 | 6 |
| | 12 | 10 | 12 | 5 | 5 | 12 | 10 | 12 | 0 | 5 |
| | 10 | 8 | 10 | 5 | 4 | 10 | 8 | 10 | 0 | 4 |
| | 8 | 6 | 8 | 5 | 3 | 8 | 6 | 8 | 0 | 3 |
| | 6 | 4 | 6 | 5 | 2 | 6 | 4 | 6 | 0 | 2 |
| | 4 | 2 | 4 | 5 | 1 | 4 | 2 | 4 | 0 | 1 |

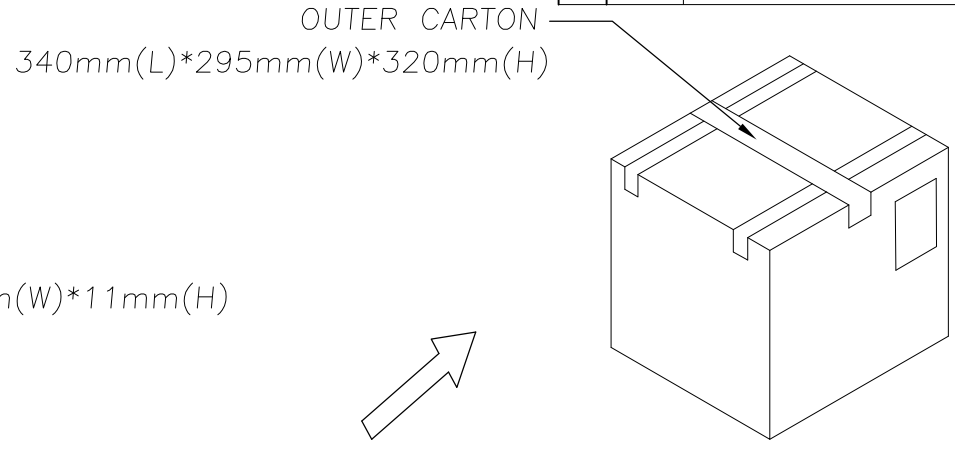
THIS DRAWING IS A CONTROLLED DOCUMENT.

| | | | | | | | | | | | |
|------------------|-----------|-------------|---------------------|--------------------------------------------------------|-----|-----------|--------|------------|-----------|---------------|---|
| DWN | O.HU | 23-MAR-2006 | TE Connectivity | AMPMODU 2.0mm PITCH, REC CONN, VERTICAL, MOUNT TYPE | | | | | | | |
| CHK | S.HDU | 23-MAR-2006 | | | | | | | | | |
| APVD | W.J.KE | 23-MAR-2006 | | | | | | | | | |
| PRODUCT SPEC | 108-57197 | | | | | | | | | | |
| APPLICATION SPEC | | | NAME | | | | | | | | |
| MATERIAL | 1 | FINISH | 2 | SIZE | A3 | CAGE CODE | - | DRAWING NO | C-1734506 | RESTRICTED TO | - |
| CUSTOMER DRAWING | | | | SCALE | 1:1 | SHEET | 1 OF 2 | REV | B1 | | |

THIS DRAWING IS UNPUBLISHED
 © COPYRIGHT 2009 By -
 ALL RIGHTS RESERVED.

RELEASED FOR PUBLICATION
 MAR , 2006.

| LOC | DIST | REVISIONS | | | |
|-----|------|-------------|------|-----|------|
| P | LTR | DESCRIPTION | DATE | DWN | APVD |
| IR | - | SEE SHEET 1 | - | - | - |



| OBSOLETE | "L" | Pcs/Carton | Pcs/Inner Carton | Pcs/BOX | POS. | PART NUMBER |
|----------|-------|------------|------------------|---------|------|-------------|
| OBSOLETE | 5040 | 1260 | 105 | 40 | 9 | 9 |
| OBSOLETE | 4320 | 1080 | 90 | 50 | 9 | 8 |
| OBSOLETE | 4320 | 1080 | 90 | 48 | 9 | 7 |
| OBSOLETE | 4320 | 1080 | 90 | 46 | 9 | 6 |
| OBSOLETE | 4320 | 1080 | 90 | 44 | 9 | 5 |
| OBSOLETE | 5040 | 1260 | 105 | 42 | 9 | 4 |
| OBSOLETE | 5040 | 1260 | 105 | 40 | 9 | 3 |
| OBSOLETE | 5040 | 1260 | 105 | 38 | 9 | 2 |
| OBSOLETE | 5760 | 1440 | 120 | 36 | 9 | 1 |
| OBSOLETE | 5760 | 1440 | 120 | 34 | 9 | 0 |
| OBSOLETE | 6480 | 1620 | 135 | 32 | 8 | 9 |
| OBSOLETE | 7200 | 1800 | 150 | 30 | 8 | 8 |
| OBSOLETE | 7200 | 1800 | 150 | 28 | 8 | 7 |
| OBSOLETE | 7920 | 1980 | 165 | 26 | 8 | 6 |
| OBSOLETE | 8640 | 2160 | 180 | 24 | 8 | 5 |
| OBSOLETE | 9360 | 2340 | 195 | 22 | 8 | 4 |
| OBSOLETE | 10080 | 2520 | 210 | 20 | 8 | 3 |
| OBSOLETE | 11520 | 2880 | 240 | 18 | 8 | 2 |
| OBSOLETE | 12960 | 3240 | 270 | 16 | 8 | 1 |
| OBSOLETE | 15120 | 3780 | 315 | 14 | 8 | 0 |
| OBSOLETE | 17280 | 4320 | 360 | 12 | 7 | 9 |
| OBSOLETE | 20880 | 5220 | 435 | 10 | 7 | 8 |
| OBSOLETE | 26640 | 6660 | 555 | 8 | 7 | 7 |
| OBSOLETE | 35280 | 8820 | 735 | 6 | 7 | 6 |
| OBSOLETE | 51840 | 12960 | 1080 | 4 | 7 | 5 |
| OBSOLETE | 4320 | 1080 | 90 | 50 | 7 | 4 |
| OBSOLETE | 4320 | 1080 | 90 | 48 | 7 | 3 |
| OBSOLETE | 4320 | 1080 | 90 | 46 | 7 | 2 |
| OBSOLETE | 4320 | 1080 | 90 | 44 | 7 | 1 |
| OBSOLETE | 5040 | 1260 | 105 | 42 | 7 | 0 |
| OBSOLETE | 5040 | 1260 | 105 | 40 | 6 | 9 |
| OBSOLETE | 5040 | 1260 | 105 | 38 | 6 | 8 |
| OBSOLETE | 5760 | 1440 | 120 | 36 | 6 | 7 |
| OBSOLETE | 5760 | 1440 | 120 | 34 | 6 | 6 |
| OBSOLETE | 6480 | 1620 | 135 | 32 | 6 | 5 |
| OBSOLETE | 7200 | 1800 | 150 | 30 | 6 | 4 |
| OBSOLETE | 7200 | 1800 | 150 | 28 | 6 | 3 |
| OBSOLETE | 7920 | 1980 | 165 | 26 | 6 | 2 |
| OBSOLETE | 8640 | 2160 | 180 | 24 | 6 | 1 |
| OBSOLETE | 9360 | 2340 | 195 | 22 | 6 | 0 |
| OBSOLETE | 10080 | 2520 | 210 | 20 | 5 | 9 |
| OBSOLETE | 11520 | 2880 | 240 | 18 | 5 | 8 |
| OBSOLETE | 12960 | 3240 | 270 | 16 | 5 | 7 |
| OBSOLETE | 15120 | 3780 | 315 | 14 | 5 | 6 |
| OBSOLETE | 17280 | 4320 | 360 | 12 | 5 | 5 |
| OBSOLETE | 20880 | 5220 | 435 | 10 | 5 | 4 |
| OBSOLETE | 26640 | 6660 | 555 | 8 | 5 | 3 |
| OBSOLETE | 35280 | 8820 | 735 | 6 | 5 | 2 |
| OBSOLETE | 51840 | 12960 | 1080 | 4 | 5 | 1 |

| OBSOLETE | "L" | Pcs/Carton | Pcs/Inner Carton | Pcs/BOX | POS. | PART NUMBER |
|----------|-------|------------|------------------|---------|------|-------------|
| OBSOLETE | 5040 | 1260 | 105 | 40 | 4 | 9 |
| OBSOLETE | 4320 | 1080 | 90 | 50 | 4 | 8 |
| OBSOLETE | 4320 | 1080 | 90 | 48 | 4 | 7 |
| OBSOLETE | 4320 | 1080 | 90 | 46 | 4 | 6 |
| OBSOLETE | 4320 | 1080 | 90 | 44 | 4 | 5 |
| OBSOLETE | 5040 | 1260 | 105 | 42 | 4 | 4 |
| OBSOLETE | 5040 | 1260 | 105 | 40 | 4 | 3 |
| OBSOLETE | 5040 | 1260 | 105 | 38 | 4 | 2 |
| OBSOLETE | 5760 | 1440 | 120 | 36 | 4 | 1 |
| OBSOLETE | 5760 | 1440 | 120 | 34 | 4 | 0 |
| OBSOLETE | 6480 | 1620 | 135 | 32 | 3 | 9 |
| OBSOLETE | 7200 | 1800 | 150 | 30 | 3 | 8 |
| OBSOLETE | 7200 | 1800 | 150 | 28 | 3 | 7 |
| OBSOLETE | 7920 | 1980 | 165 | 26 | 3 | 6 |
| OBSOLETE | 8640 | 2160 | 180 | 24 | 3 | 5 |
| OBSOLETE | 9360 | 2340 | 195 | 22 | 3 | 4 |
| OBSOLETE | 10080 | 2520 | 210 | 20 | 3 | 3 |
| OBSOLETE | 11520 | 2880 | 240 | 18 | 3 | 2 |
| OBSOLETE | 12960 | 3240 | 270 | 16 | 3 | 1 |
| OBSOLETE | 15120 | 3780 | 315 | 14 | 3 | 0 |
| OBSOLETE | 17280 | 4320 | 360 | 12 | 2 | 9 |
| OBSOLETE | 20880 | 5220 | 435 | 10 | 2 | 8 |
| OBSOLETE | 26640 | 6660 | 555 | 8 | 2 | 7 |
| OBSOLETE | 35280 | 8820 | 735 | 6 | 2 | 6 |
| OBSOLETE | 51840 | 12960 | 1080 | 4 | 2 | 5 |
| OBSOLETE | 4320 | 1080 | 90 | 50 | 2 | 4 |
| OBSOLETE | 4320 | 1080 | 90 | 48 | 2 | 3 |
| OBSOLETE | 4320 | 1080 | 90 | 46 | 2 | 2 |
| OBSOLETE | 4320 | 1080 | 90 | 44 | 2 | 1 |
| OBSOLETE | 5040 | 1260 | 105 | 42 | 2 | 0 |
| OBSOLETE | 5040 | 1260 | 105 | 40 | 1 | 9 |
| OBSOLETE | 5040 | 1260 | 105 | 38 | 1 | 8 |
| OBSOLETE | 5760 | 1440 | 120 | 36 | 1 | 7 |
| OBSOLETE | 5760 | 1440 | 120 | 34 | 1 | 6 |
| OBSOLETE | 6480 | 1620 | 135 | 32 | 1 | 5 |
| OBSOLETE | 7200 | 1800 | 150 | 30 | 1 | 4 |
| OBSOLETE | 7200 | 1800 | 150 | 28 | 1 | 3 |
| OBSOLETE | 7920 | 1980 | 165 | 26 | 1 | 2 |
| OBSOLETE | 8640 | 2160 | 180 | 24 | 1 | 1 |
| OBSOLETE | 9360 | 2340 | 195 | 22 | 1 | 0 |
| OBSOLETE | 10080 | 2520 | 210 | 20 | 1 | 9 |
| OBSOLETE | 11520 | 2880 | 240 | 18 | 1 | 8 |
| OBSOLETE | 12960 | 3240 | 270 | 16 | 1 | 7 |
| OBSOLETE | 15120 | 3780 | 315 | 14 | 1 | 6 |
| OBSOLETE | 17280 | 4320 | 360 | 12 | 1 | 5 |
| OBSOLETE | 20880 | 5220 | 435 | 10 | 1 | 4 |
| OBSOLETE | 26640 | 6660 | 555 | 8 | 1 | 3 |
| OBSOLETE | 35280 | 8820 | 735 | 6 | 1 | 2 |
| OBSOLETE | 51840 | 12960 | 1080 | 4 | 1 | 1 |

| | | | | |
|---------------------------------------------------------------------------------------------------------------------------------|--|-------------------------------|-------------------------------------------------------------|--------------------|
| THIS DRAWING IS A CONTROLLED DOCUMENT. | | DWN O.HU 23-MAR-2006 | TE Connectivity | |
| | | CHK S.HDU 23-MAR-2006 | | |
| DIMENSIONS: mm | | APVD W.J.KE 23-MAR-2006 | NAME AMPMODU 2.0mm PITCH,REC CONN,VERTICAL,MOUNT TYPE | |
| TOLERANCES UNLESS OTHERWISE SPECIFIED: 0 PLC ± - 1 PLC ± 0.15 2 PLC ± 0.10 3 PLC ± 0.05 4 PLC ± - ANGLES ± 3' | | PRODUCT SPEC 108-57197 | RESTRICTED TO | |
| MATERIAL SEE SHEET 1 | | FINISH SEE SHEET 1 | SIZE A3 | CAGE CODE - |
| | | WEIGHT - | DRAWING NO C-1734506 | RESTRICTED TO - |
| CUSTOMER DRAWING | | SCALE 1:1 | SHEET 2 OF 2 | REV B1 |

Mouser Electronics

Authorized Distributor

Click to View Pricing, Inventory, Delivery & Lifecycle Information:

[TE Connectivity:](#)

[3-1734506-1](#)