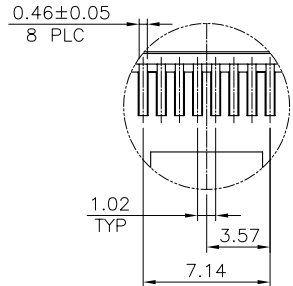
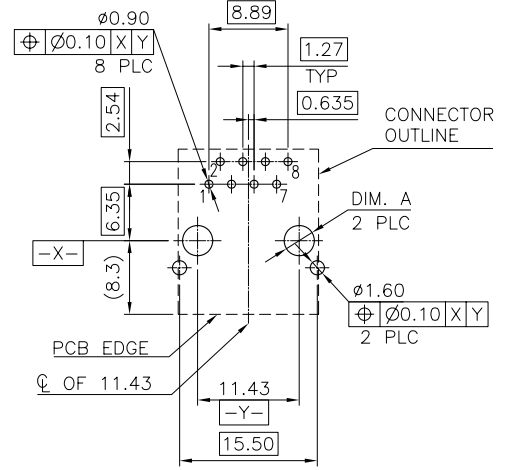
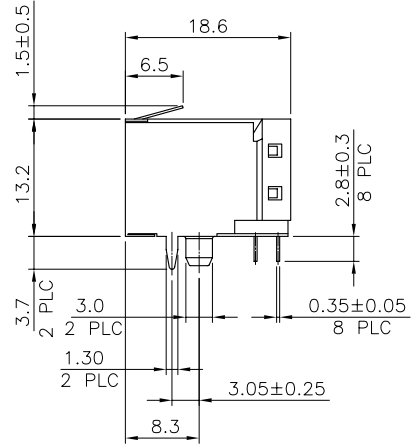
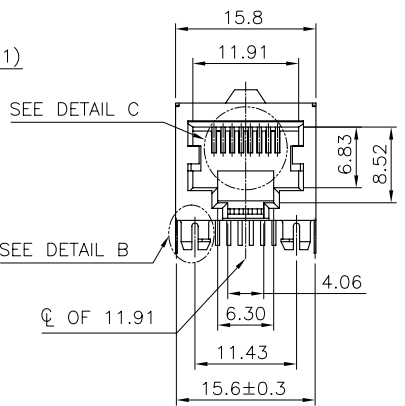
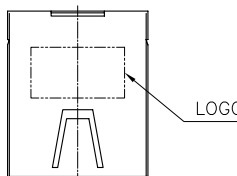


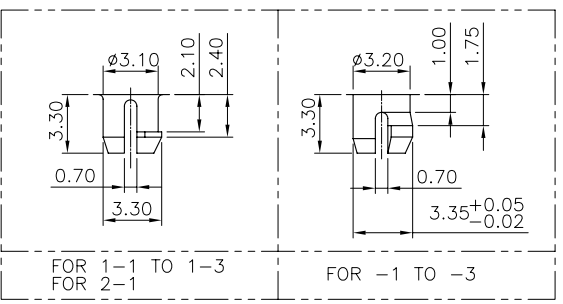
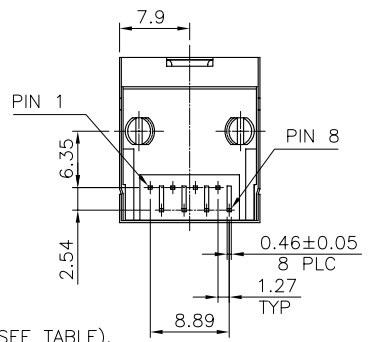
LOC	DIST	REVISIONS			
P	LTR	DESCRIPTION	DATE	DWN	APVD
DW	-				
	A2	REVISED (ECR-11-012100)	10JUN11	SC	WK



DETAIL C (SCALE 2:1)



RECOMMENDED PCB LAYOUT
 RECOMMENDED PCB THICKNESS: 1.6mm
 TOLERANCE: ±0.05 (TOP VIEW)



DETAIL B (SCALE 2:1)

- NOTE:
- MATERIAL:
 HOUSING: PA46, WITH 30% GF, UL 94V-0, COLOR : (SEE TABLE).
 CONTACTS: PHOSPHOR BRONZE.
 SHELL: BRASS.
 - FINISH:
 CONTACTS: (SEE TABLE) GOLD PLATED ON CONTACT AREA, GOLD FLASH ON SOLDER TAIL, WITH ENTIRE CONTACT UNDERPLATED 1.27µm [50µ"] MIN. NICKEL.
 SHELL: 0.508µm [20µ"] MIN. NICKEL PLATED.
 - WAVE SOLDER CAPABLE TO 265°C PER TE SPEC 109-202, CONDITION B.

⚠️ OBSOLETE PARTS: OBSOLETE CIS STREAMLINING PER D.RENAUD/D.SINISI

HOUSING COLOR	DIM. A	MIN. GOLD THICKNESS	PART NUMBER
BLACK	Ø3.20	0.381µm [15µ"]	2-1734264-1
		1.27µm [50µ"]	1-1734264-3
	Ø3.40	0.762µm [30µ"]	1-1734264-2
		0.381µm [15µ"]	1-1734264-1

THIS DRAWING IS A CONTROLLED DOCUMENT.		DWN B. HSING	01JUL2009	TE Connectivity MODULAR JACK, RJ45, 8P8C, SIDE ENTRY, RIGHT ANGLE, WITH PANEL GROUND, LOW PROFILE	
DIMENSIONS: MM		CHK S. CHIEN	01JUL2009		
TOLERANCES UNLESS OTHERWISE SPECIFIED:		APVD W. KODAMA	01JUL2009		
0 PLC ± - 1 PLC ± 0.30 2 PLC ± 0.20 3 PLC ± 0.15 4 PLC ± - ANGLES ± 3°		NAME 108-57527	PRODUCT SPEC		
MATERIAL SEE NOTE		APPLICATION SPEC 501-57604		SIZE A3	CAGE CODE 00779
FINISH SEE NOTE		WEIGHT 4.95 GRAMS		DRAWING NO C=1734264	
CUSTOMER DRAWING				SCALE	SHEET 1 OF 2
				REV	A2

4

3

2

1

THIS DRAWING IS UNPUBLISHED.

RELEASED FOR PUBLICATION

AUG., 2006.

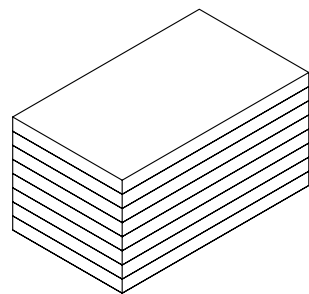
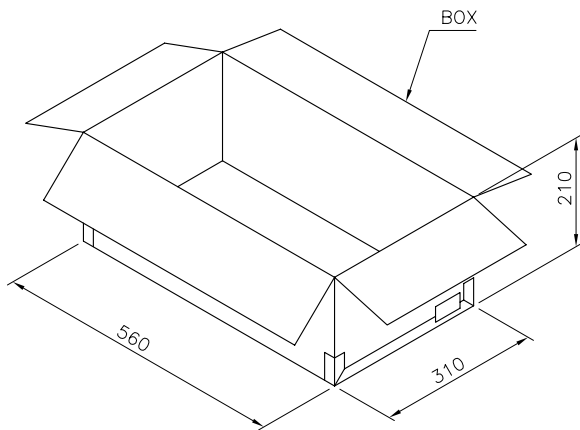
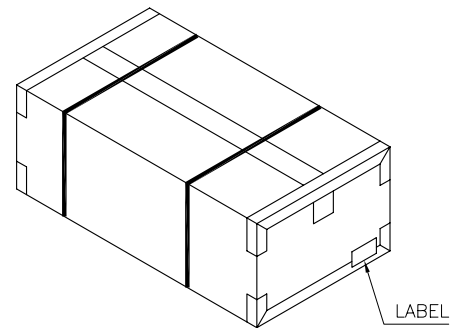
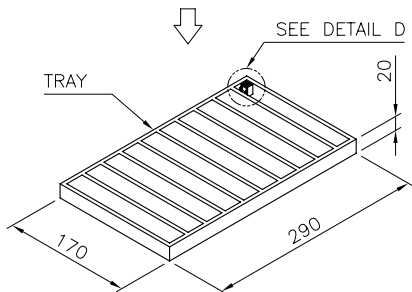
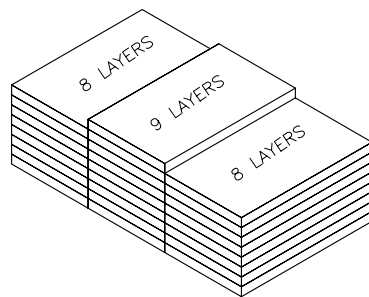
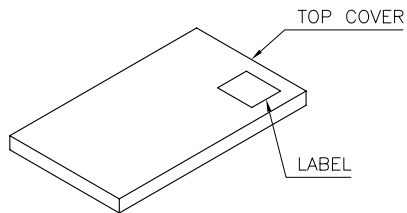
© COPYRIGHT BY TYCO ELECTRONICS CORPORATION. ALL RIGHTS RESERVED.

LOC DW

DIST

REVISIONS

P	LTR	DESCRIPTION	DATE	DWN	APVD
		SEE SHEET 1.			



14.4 Kg	12.4 Kg	100	25	2500 PCS
GROSS WEIGHT (Ref.)	NET WEIGHT (Ref.)	PCS/TRAY	TRAYS /BOX	QUANTITY

THIS DRAWING IS A CONTROLLED DOCUMENT.

DIMENSIONS: MM 	TOLERANCES UNLESS OTHERWISE SPECIFIED: 0 PLC ± - 1 PLC ± - 2 PLC ± - 3 PLC ± - 4 PLC ± - ANGLES ± -		DWN	TE Connectivity MODULAR JACK, RJ45, 8P8C, SIDE ENTRY, RIGHT ANGLE, WITH PANEL GROUND, LOW PROFILE
	MATERIAL	FINISH	CHK	
PRODUCT SPEC APPLICATION SPEC WEIGHT			APVD	NAME
CUSTOMER DRAWING			SIZE: A3 CAGE CODE: 00779 DRAWING NO: C=1734264	RESTRICTED TO
			SCALE: -	SHEET: 2 OF 2
				REV: A2

Mouser Electronics

Authorized Distributor

Click to View Pricing, Inventory, Delivery & Lifecycle Information:

[TE Connectivity:](#)

[1-1734264-1](#)