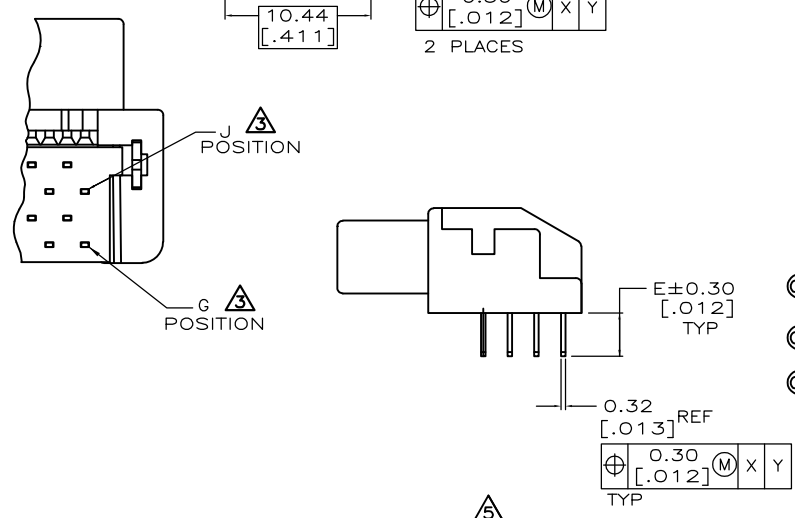
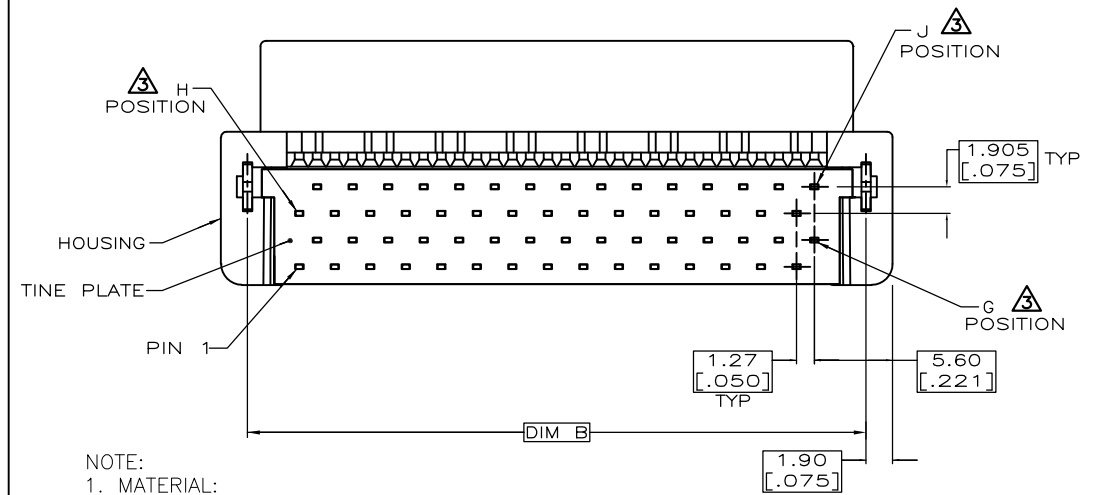
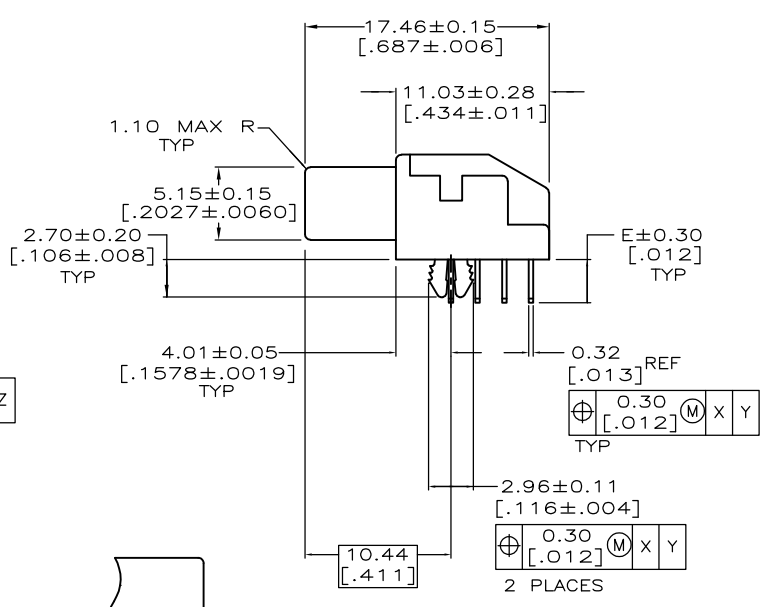
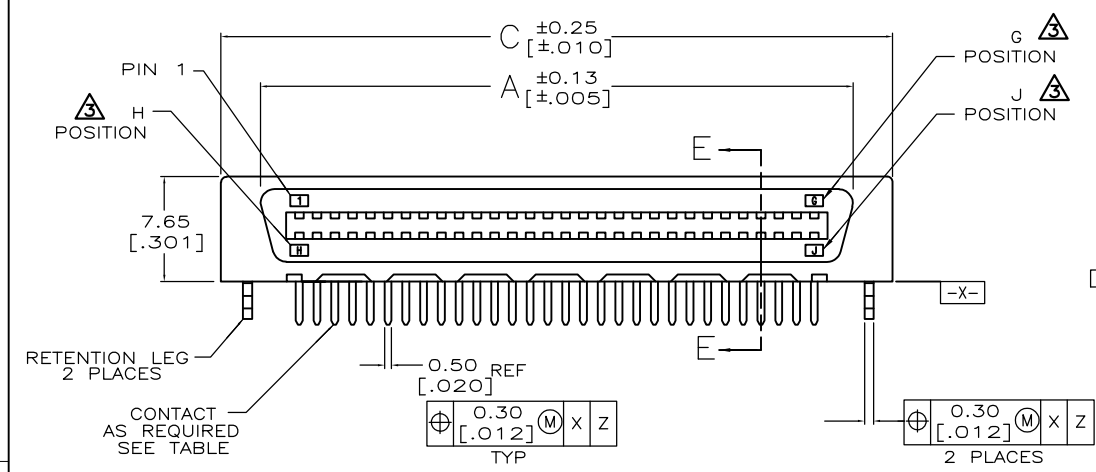
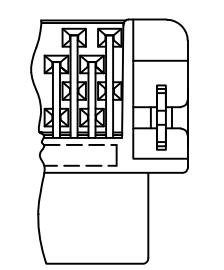
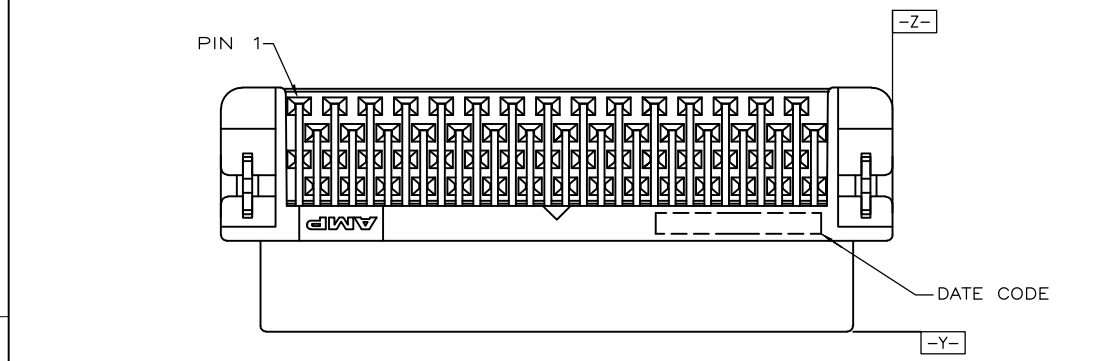


THIS DRAWING IS UNPUBLISHED. RELEASED FOR PUBLICATION
 © COPYRIGHT - By - ALL RIGHTS RESERVED.

LOC	DIST	REVISIONS			
P	LTR	DESCRIPTION	DATE	DWN	APVD
		G1	REVISED PER ECR-12-013026	08APR13	K.M E.T



- NOTE:
 1. MATERIAL:
 HOUSING: LIQUID CRYSTAL POLYMER (LCP), UL 94V-0, BLACK COLOR.
 CONTACTS: PHOSPHOR BRONZE.
 BOARDLOCKS: BRASS.
 2. FINISH:
 CONTACTS: (SEE TABLE) GOLD PLATED ON CONTACT AREA, 3.81µm [150µ"] MIN. MATTE-TIN ON SOLDER TAIL, OVER 1.27mm [50m"] MIN. NICKEL UNDERPLATED.
 BOARDLOCKS: 3.81µm [150µ"] MIN. TIN-Cu OVER 1.27mm [50m"] MIN. UNDERPLATED.
 G, J, AND H INDICATES NUMBER OF POSITION MARKED ON ASSEMBLY. ALSO SEE TABLE.
 CONNECTOR SOLDER TAILS WILL ACCOMMODATE PRINTED CIRCUIT BOARD THICKNESS OF 0.80 TO 1.60 [.031 TO .063].
 BOARDLOCKS NOT PRESENT.
 6. WAVE SOLDER CAPABLE TO 265°C PER TEST SPEC. 109-202, CONDITION B.
 GOLD FLASH OVER 0.762µm [30µ"] MIN. PALLADIUM-NICKEL PLATED.
 OBSOLETE

LOC	DIST	P	LTR	DESCRIPTION	DATE	DWN	APVD	FINISH	PART NUMBER	POS.
				GOLD FLASH	5-1734037-6					
				0.381µm[15u"]	3-1734037-6	160				
					1-1734037-6					
				GOLD FLASH	5-1734037-4					
				0.381µm[15u"]	3-1734037-4	140				
					1-1734037-4					
				GOLD FLASH	2-1734037-0					
				0.381µm[15u"]	1-1734037-8	120				
					1-1734037-2					
				GOLD FLASH	5-1734037-1					
				0.381µm[15u"]	3-1734037-1	100				
					1-1734037-1					
				GOLD FLASH	5-1734037-0					
				0.381µm[15u"]	3-1734037-0	100				
					1-1734037-0					
				GOLD FLASH	4-1734037-7					
				0.381µm[15u"]	2-1734037-7	68				
					1734037-7					
				GOLD FLASH	4-1734037-6					
				0.381µm[15u"]	2-1734037-6	60				
					1734037-6					
				GOLD FLASH	4-1734037-5					
				0.381µm[15u"]	2-1734037-5	50				
					1734037-5					
				GOLD FLASH	4-1734037-4					
				0.381µm[15u"]	2-1734037-4	40				
					1734037-4					
				GOLD FLASH	4-1734037-2					
				0.381µm[15u"]	2-1734037-2	80				
					1734037-2					
				GOLD FLASH	4-1734037-1					
				0.381µm[15u"]	2-1734037-1	80				
					1734037-1					

THIS DRAWING IS A CONTROLLED DOCUMENT.

DIMENSIONS:	TOLERANCES UNLESS OTHERWISE SPECIFIED:
mm	0 PLC ± -
	1 PLC ± 0.3
	2 PLC ± 0.2
	3 PLC ± -
	4 PLC ± -
	ANGLES ± 3'
MATERIAL	FINISH
SEE NOTE	SEE NOTE

DWN	31MAR2009
F. YANG	
CHK	31MAR2009
S. CHIEN	
APVD	31MAR2009
W. KODAMA	
PRODUCT SPEC	
108-57876	
APPLICATION SPEC	
WEIGHT	-
CUSTOMER DRAWING	

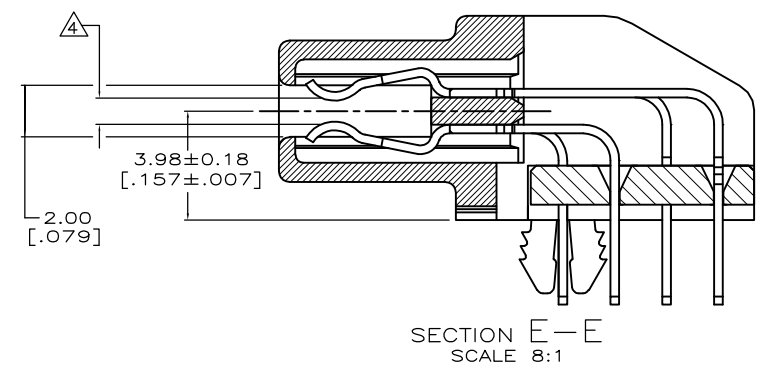
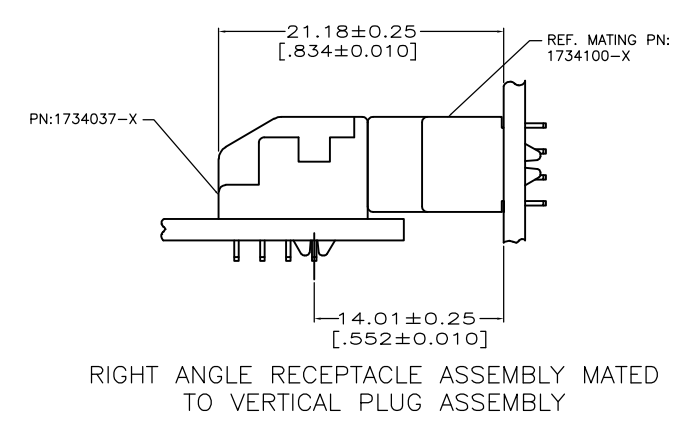
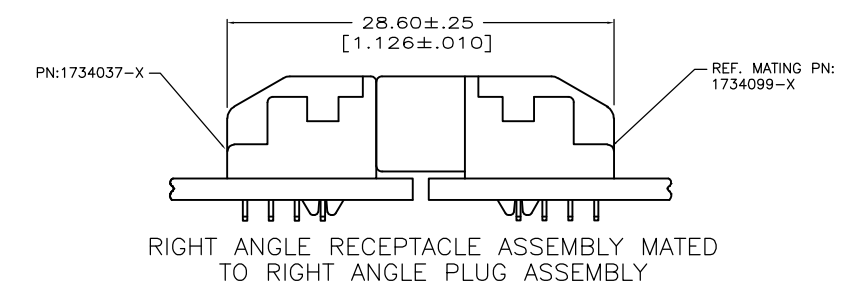
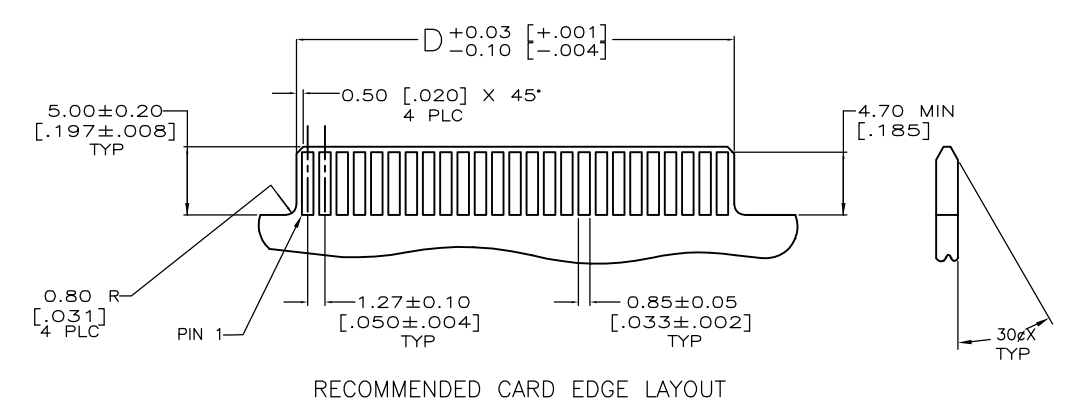
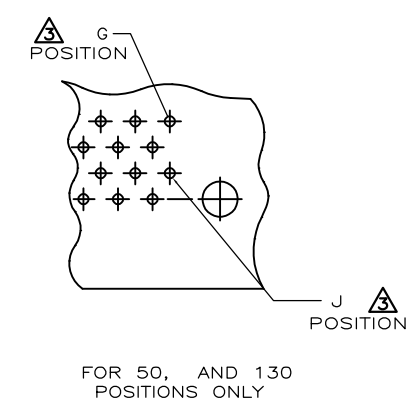
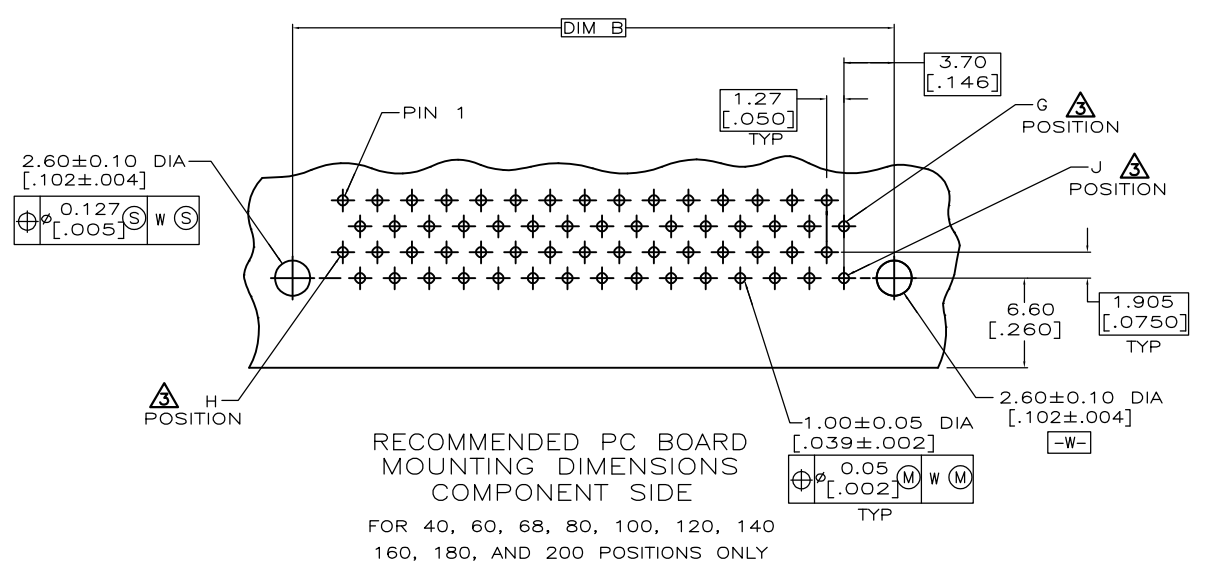
STE TE Connectivity

RECEPTACLE ASSEMBLY, R/A, BTB, CHAMP.050, SERIES I

SIZE	CAGE CODE	DRAWING NO	RESTRICTED TO
A3	00779	C-1734037	-
SCALE	SHEET	REV	
-	1 OF 4	G1	

THIS DRAWING IS UNPUBLISHED. RELEASED FOR PUBLICATION
 © COPYRIGHT - By - ALL RIGHTS RESERVED.

LOC	DIST	REVISIONS					
		P	LTR	DESCRIPTION	DATE	DWN	APVD
DW	/	-	-	SEE SHEET 1	-	-	-



THIS DRAWING IS A CONTROLLED DOCUMENT.		DWN	TE Connectivity NAME RECEPTACLE ASSEMBLY, R/A, BTB, CHAMP.050, SERIES I			
DIMENSIONS: mm		CHK				
TOLERANCES UNLESS OTHERWISE SPECIFIED:		APVD	PRODUCT SPEC			
0 PLC	± -	PRODUCT SPEC	APPLICATION SPEC			
1 PLC	± -	PRODUCT SPEC	APPLICATION SPEC			
2 PLC	± -	PRODUCT SPEC	APPLICATION SPEC			
3 PLC	± -	PRODUCT SPEC	APPLICATION SPEC			
4 PLC	± -	PRODUCT SPEC	APPLICATION SPEC			
ANGLES	± -	PRODUCT SPEC	APPLICATION SPEC			
MATERIAL	FINISH	PRODUCT SPEC	APPLICATION SPEC			
		WEIGHT	SIZE	CAGE CODE	DRAWING NO	RESTRICTED TO
			A3	00779	C-1734037	
		CUSTOMER DRAWING	SCALE	SHEET	REV	
			-	2 OF 4	G1	

THIS DRAWING IS UNPUBLISHED.

RELEASED FOR PUBLICATION

LOC

DIST

REVISIONS

© COPYRIGHT - By -

ALL RIGHTS RESERVED.

DW

P

LTR

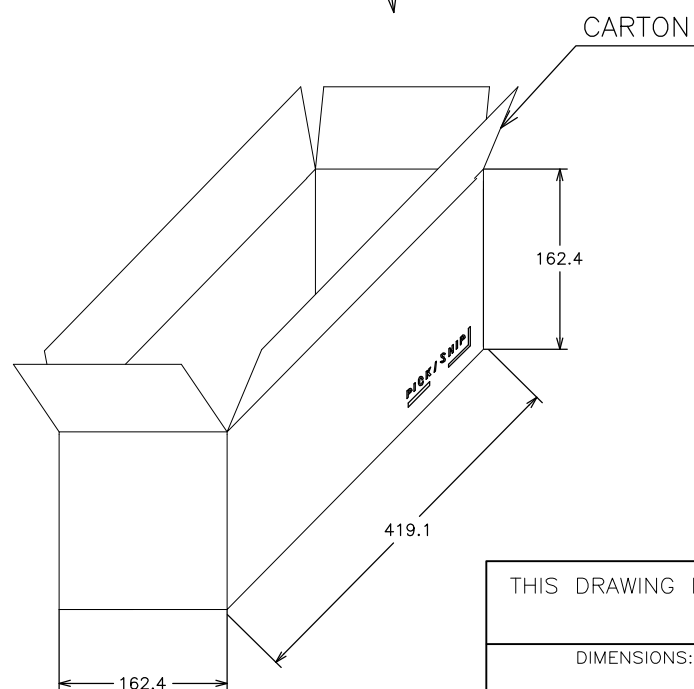
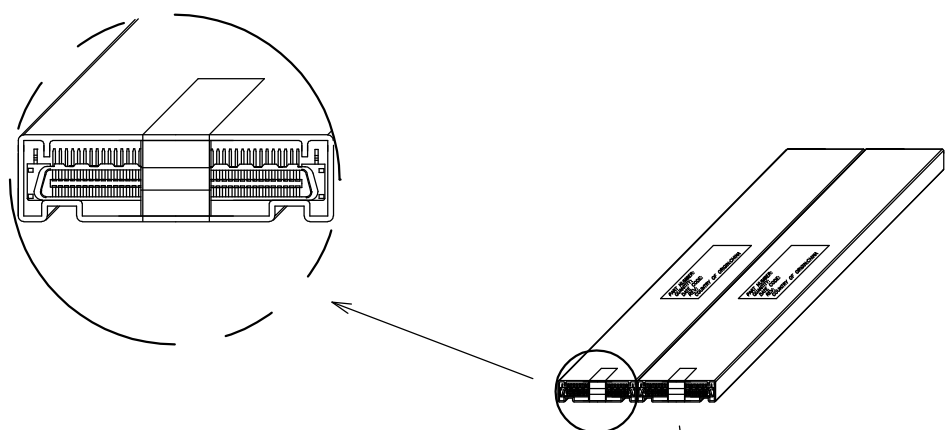
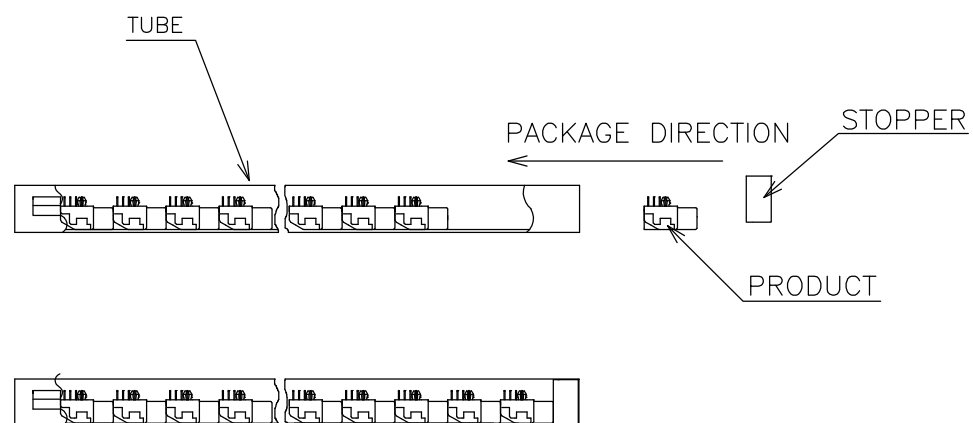
DESCRIPTION

DATE

DWN

APVD

SEE SHEET 1

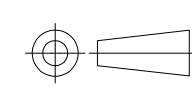


Ⓞ OBSOLETE

POS.	Q'TY/ TUBE	TUBE/ BOX	Q'TY/ BOX	N/W (KG)	G/W (KG)	PART NUMBER
						6-1734037-2
						4-1734037-2
						2-1734037-2
						1734037-2
						5-1734037-0
						3-1734037-0
						1-1734037-0
						4-1734037-1
						2-1734037-1
						1734037-1
80	21	16	336	2.06	2.91	
100	21	16	336	2.55	3.40	
80	21	16	336	2.08	2.93	

THIS DRAWING IS A CONTROLLED DOCUMENT.

DIMENSIONS: mm



TOLERANCES UNLESS OTHERWISE SPECIFIED:

0 PLC ± -

1 PLC ± -

2 PLC ± -

3 PLC ± -

4 PLC ± -

ANGLES ± -

FINISH ± -

MATERIAL

DWN

CHK

APVD

PRODUCT SPEC

APPLICATION SPEC

WEIGHT

CUSTOMER DRAWING

STE TE Connectivity

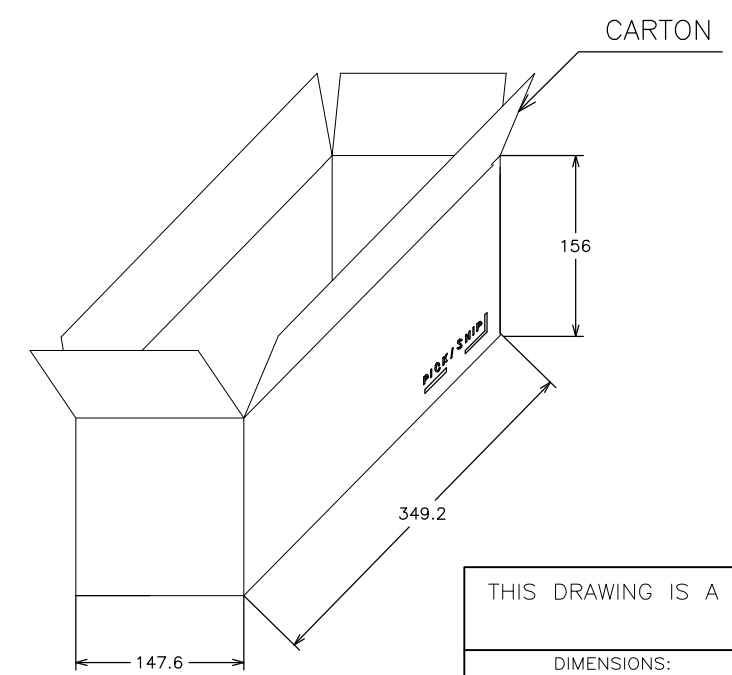
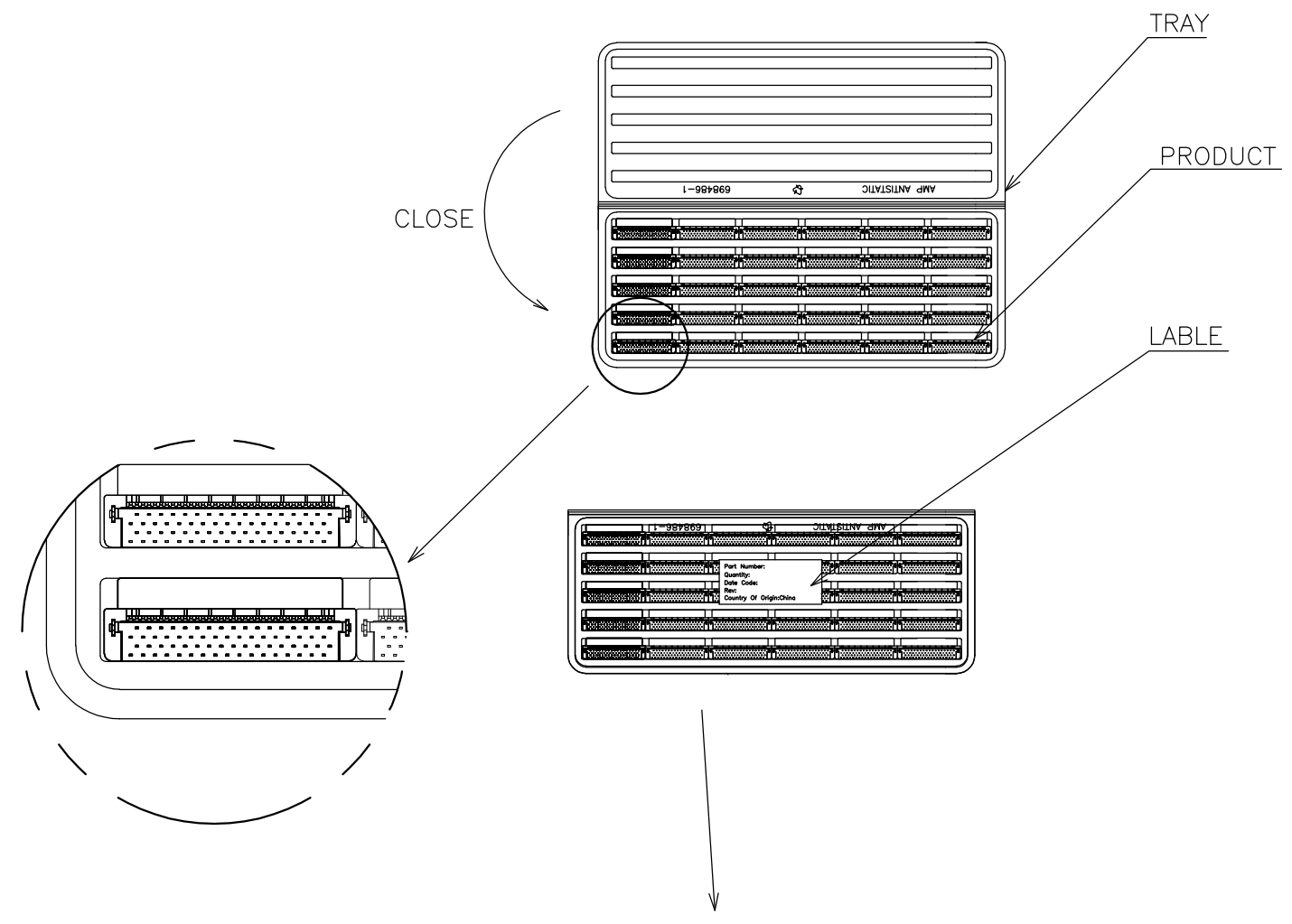
RECEPTACLE ASSEMBLY, R/A, BTB, CHAMP.050, SERIES I

SIZE: A3 CAGE CODE: 00779 DRAWING NO: C-1734037 RESTRICTED TO: -

SCALE: - SHEET: 3 OF 4 REV: G1

THIS DRAWING IS UNPUBLISHED. RELEASED FOR PUBLICATION
 © COPYRIGHT - By - ALL RIGHTS RESERVED.

LOC	DIST	REVISIONS				
P	LTR	DESCRIPTION	DATE	DWN	APVD	
DW	/	SEE SHEET 1	-	-	-	



POS.	Q'TY/ TRAY	TRAY/ BOX	Q'TY/ BOX	N/W (KG)	G/W (KG)	PART NUMBER	
ⓐ	160	10	100	1.33	2.28	5-1734037-6 3-1734037-6 1-1734037-6	
	140	15	150	1.67	2.62	5-1734037-4 3-1734037-4 1-1734037-4	
	120	15	150	1.35	2.30	2-1734037-0 1-1734037-8 1-1734037-2	
	ⓑ	100	20	200	1.43	2.43	5-1734037-1 3-1734037-1 1-1734037-1
		68	30	300	1.65	2.60	4-1734037-7 2-1734037-7 1734037-7
	60	30	300	1.60	2.60	4-1734037-6 2-1734037-6 1734037-6	
	50	35	350	1.55	2.50	4-1734037-5 2-1734037-5 1734037-5	
	40	45	450	1.55	2.45	4-1734037-4 2-1734037-4 1734037-4	

THIS DRAWING IS A CONTROLLED DOCUMENT.

DIMENSIONS: mm	TOLERANCES UNLESS OTHERWISE SPECIFIED:	DWN	TE Connectivity
	0 PLC ± -	CHK	RECEPTACLE ASSEMBLY, R/A, BTB, CHAMP.050, SERIES I
	1 PLC ± -	APVD	NAME
	2 PLC ± -	PRODUCT SPEC	SIZE CAGE CODE DRAWING NO RESTRICTED TO
	3 PLC ± -	APPLICATION SPEC	A3 00779 C-1734037
	4 PLC ± -	WEIGHT	SCALE SHEET REV
	ANGLES ± -		- 4 OF 4 G1
MATERIAL	FINISH		

CUSTOMER DRAWING

Mouser Electronics

Authorized Distributor

Click to View Pricing, Inventory, Delivery & Lifecycle Information:

[TE Connectivity:](#)

[1734037-5](#)