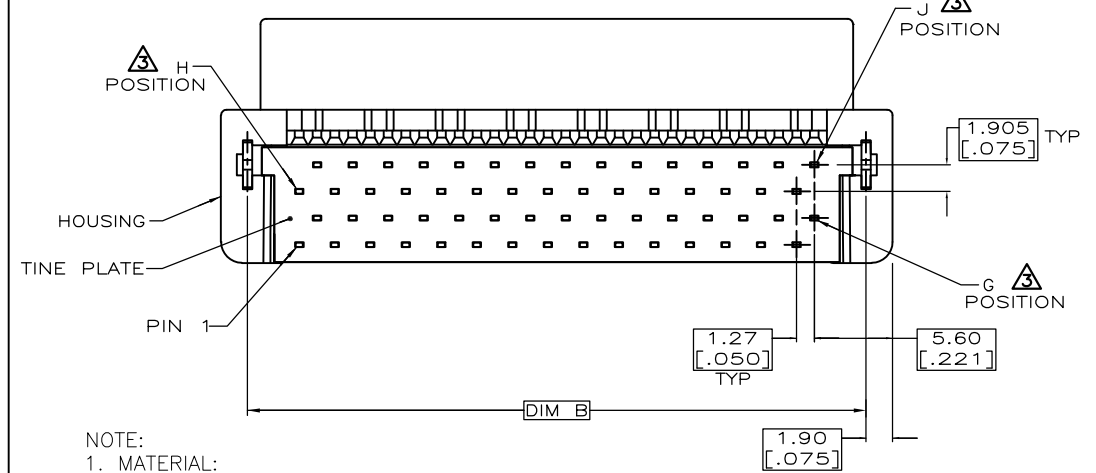
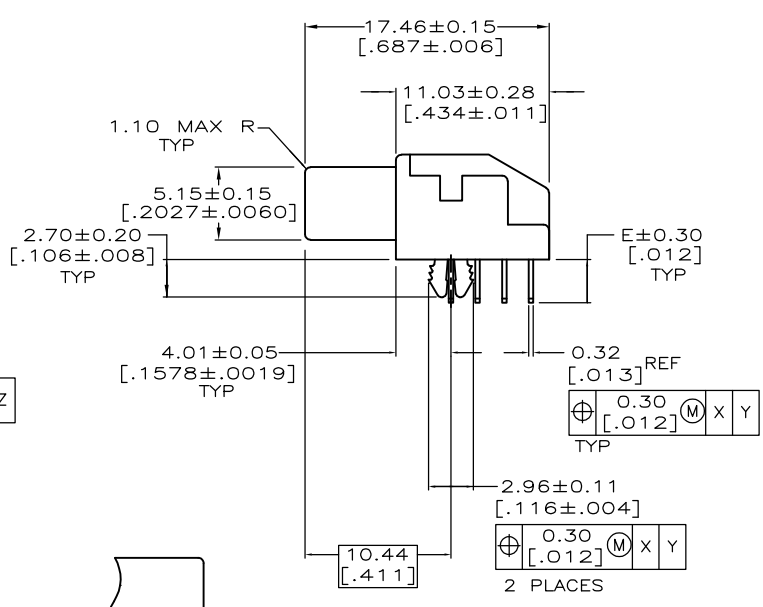
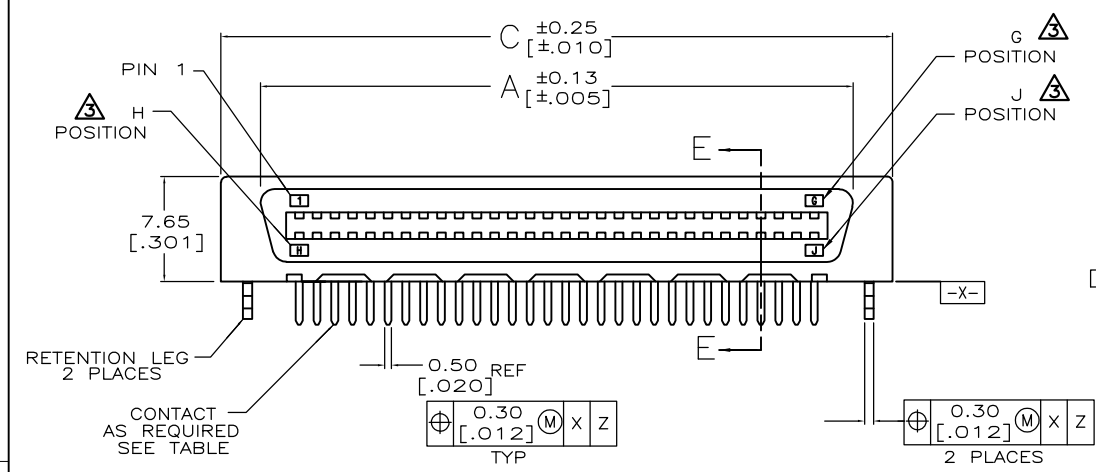
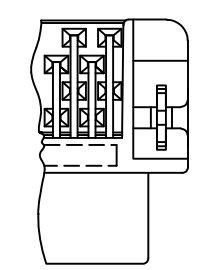
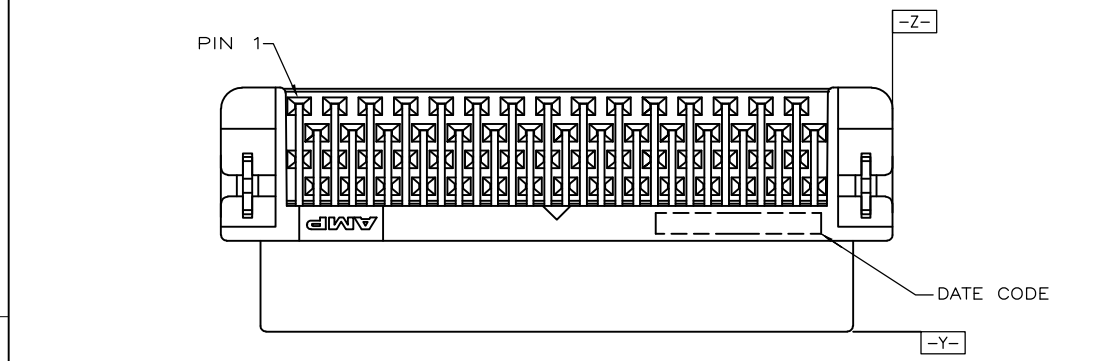


THIS DRAWING IS UNPUBLISHED. RELEASED FOR PUBLICATION
 © COPYRIGHT - By - ALL RIGHTS RESERVED.

LOC	DIST	REVISIONS			
P	LTR	DESCRIPTION	DATE	DWN	APVD
		G1	REVISED PER ECR-12-013026	08APR13	K.M E.T



NOTE:
 1. MATERIAL:
 HOUSING: LIQUID CRYSTAL POLYMER (LCP), UL 94V-0, BLACK COLOR.
 CONTACTS: PHOSPHOR BRONZE.
 BOARDLOCKS: BRASS.
 2. FINISH:
 CONTACTS: (SEE TABLE) GOLD PLATED ON CONTACT AREA,
 3.81µm [150µ"] MIN. MATTE-TIN ON SOLDER TAIL, OVER
 1.27mm [50m"] MIN. NICKEL UNDERPLATED.
 BOARDLOCKS: 3.81µm [150µ"] MIN. TIN-Cu OVER
 1.27mm [50m"] MIN. UNDERPLATED.
 G, J, AND H INDICATES NUMBER OF POSITION MARKED ON ASSEMBLY.
 ALSO SEE TABLE.
 CONNECTOR SOLDER TAILS WILL ACCOMMODATE PRINTED CIRCUIT BOARD
 THICKNESS OF 0.80 TO 1.60 [.031 TO .063].
 BOARDLOCKS NOT PRESENT.
 6. WAVE SOLDER CAPABLE TO 265°C PER TEST SPEC.
 109-202, CONDITION B.
 GOLD FLASH OVER
 0.762µm [30µ"] MIN. PALLADIUM-NICKEL PLATED.
 OBSOLETE

LOC	DIST	P	LTR	DESCRIPTION	DATE	DWN	APVD	FINISH	PART NUMBER	POS.
				GOLD FLASH	5-1734037-6					
				0.381µm[15u"]	3-1734037-6	160				
					1-1734037-6					
				GOLD FLASH	5-1734037-4					
				0.381µm[15u"]	3-1734037-4	140				
					1-1734037-4					
				GOLD FLASH	2-1734037-0					
				0.381µm[15u"]	1-1734037-8	120				
					1-1734037-2					
				GOLD FLASH	5-1734037-1					
				0.381µm[15u"]	3-1734037-1	100				
					1-1734037-1					
				GOLD FLASH	5-1734037-0					
				0.381µm[15u"]	3-1734037-0					
					1-1734037-0					
				GOLD FLASH	4-1734037-7					
				0.381µm[15u"]	2-1734037-7	68				
					1734037-7					
				GOLD FLASH	4-1734037-6					
				0.381µm[15u"]	2-1734037-6	60				
					1734037-6					
				GOLD FLASH	4-1734037-5					
				0.381µm[15u"]	2-1734037-5	50				
					1734037-5					
				GOLD FLASH	4-1734037-4					
				0.381µm[15u"]	2-1734037-4	40				
					1734037-4					
				GOLD FLASH	4-1734037-2					
				0.381µm[15u"]	2-1734037-2	80				
					1734037-2					
				GOLD FLASH	4-1734037-1					
				0.381µm[15u"]	2-1734037-1					
					1734037-1					

THIS DRAWING IS A CONTROLLED DOCUMENT.

DIMENSIONS:	TOLERANCES UNLESS OTHERWISE SPECIFIED:
mm	0 PLC ± -
	1 PLC ± 0.3
	2 PLC ± 0.2
	3 PLC ± -
	4 PLC ± -
	ANGLES ± 3'
MATERIAL	FINISH
SEE NOTE	SEE NOTE

THIS DRAWING IS A CONTROLLED DOCUMENT.

DWN F. YANG 31MAR2009
 CHK S. CHIEN 31MAR2009
 APVD W. KODAMA 31MAR2009
 PRODUCT SPEC
 108-57876
 APPLICATION SPEC

NAME
 RECEPTACLE ASSEMBLY, R/A,
 BTB, CHAMP.050, SERIES I

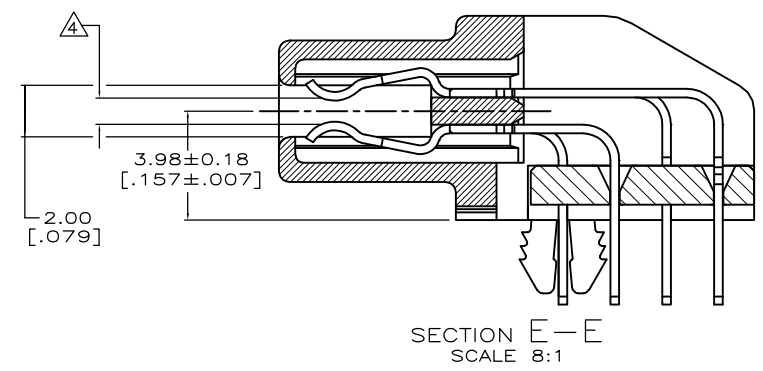
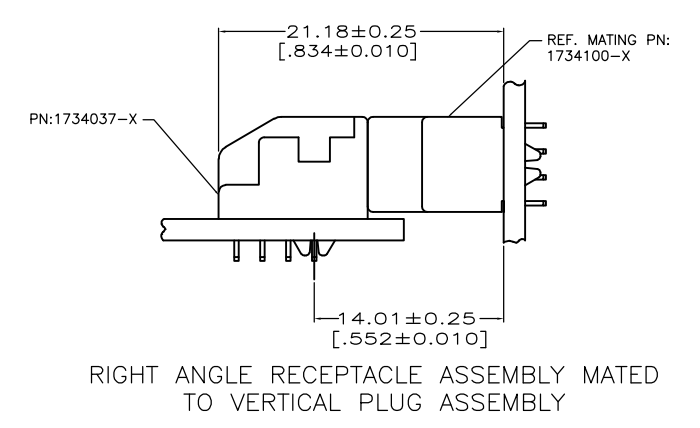
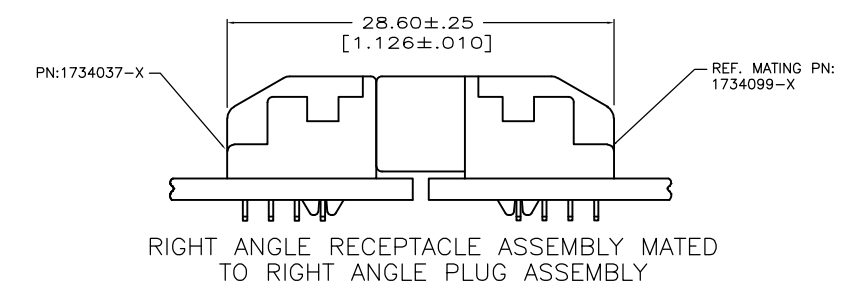
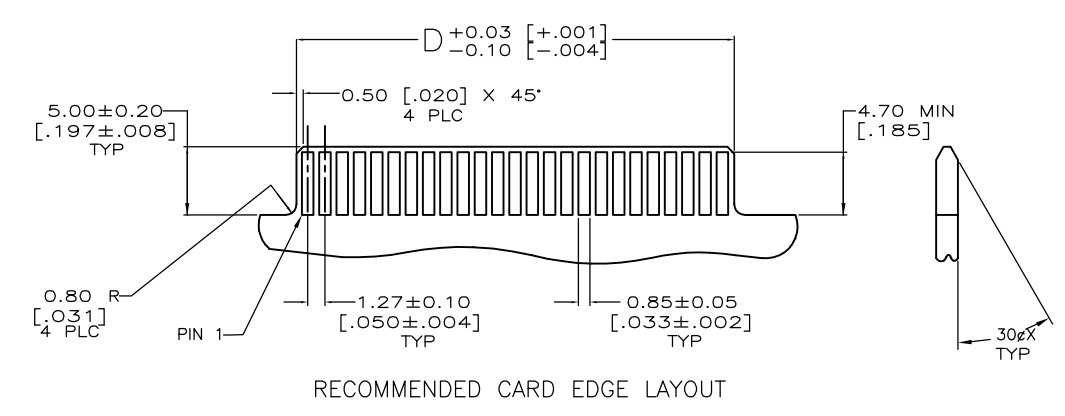
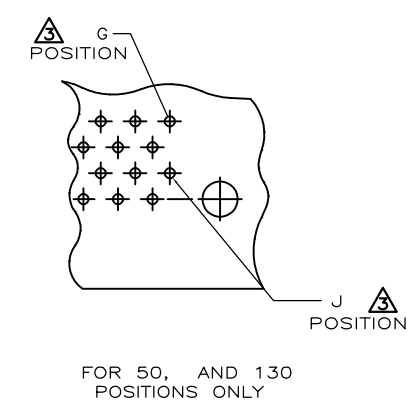
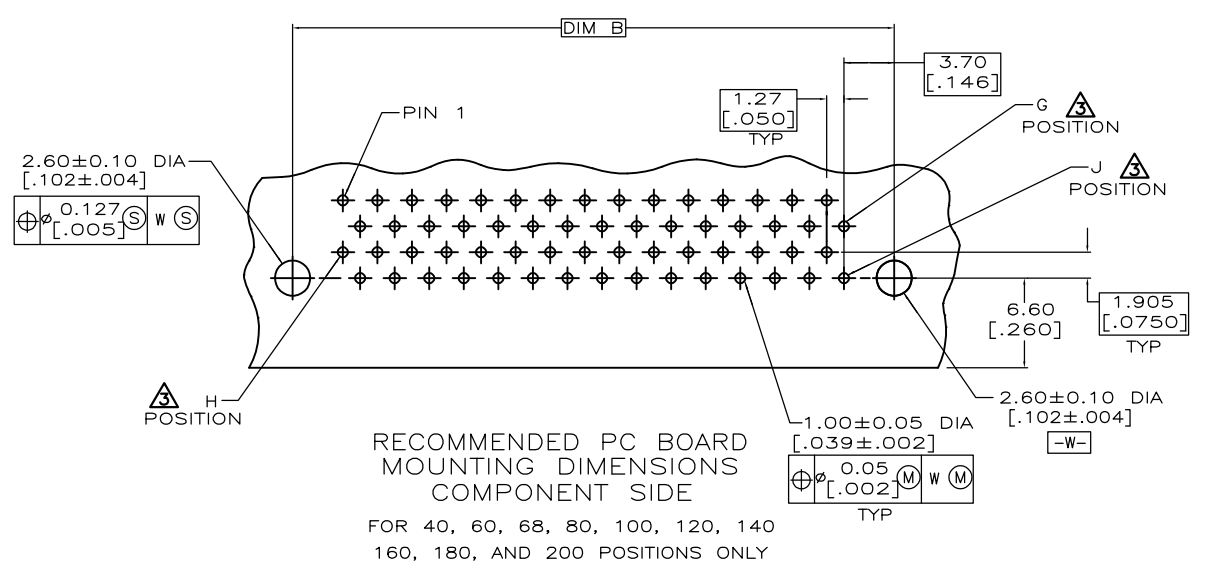
SIZE A3 CAGE CODE 00779 DRAWING NO C-1734037 RESTRICTED TO -

SCALE - SHEET 1 OF 4 REV G1

CUSTOMER DRAWING

THIS DRAWING IS UNPUBLISHED. RELEASED FOR PUBLICATION
 © COPYRIGHT - By - ALL RIGHTS RESERVED.

LOC	DIST	REVISIONS			
P	LTR	DESCRIPTION	DATE	DWN	APVD
		SEE SHEET 1	-	-	-



THIS DRAWING IS A CONTROLLED DOCUMENT.		DWN	TE Connectivity		
DIMENSIONS: mm		CHK			
TOLERANCES UNLESS OTHERWISE SPECIFIED:		APVD	RECEPTACLE ASSEMBLY, R/A, BTB, CHAMP.050, SERIES I		
0 PLC	± -	PRODUCT SPEC	SIZE	CAGE CODE	DRAWING NO
1 PLC	± -	APPLICATION SPEC	A3	00779	C-1734037
2 PLC	± -	WEIGHT	RESTRICTED TO		
3 PLC	± -	CUSTOMER DRAWING	SCALE	SHEET	REV
4 PLC	± -		-	2 OF 4	G1
ANGLES	± -				
FINISH	± -				

THIS DRAWING IS UNPUBLISHED.

RELEASED FOR PUBLICATION

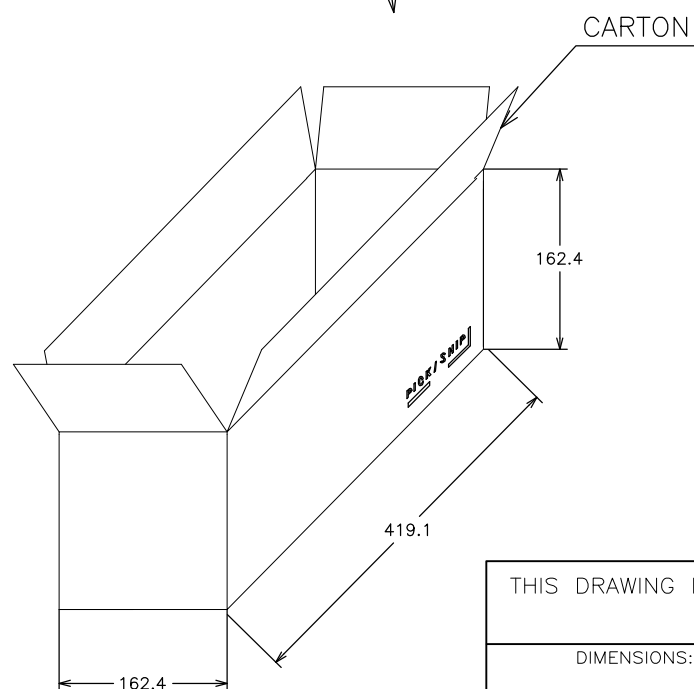
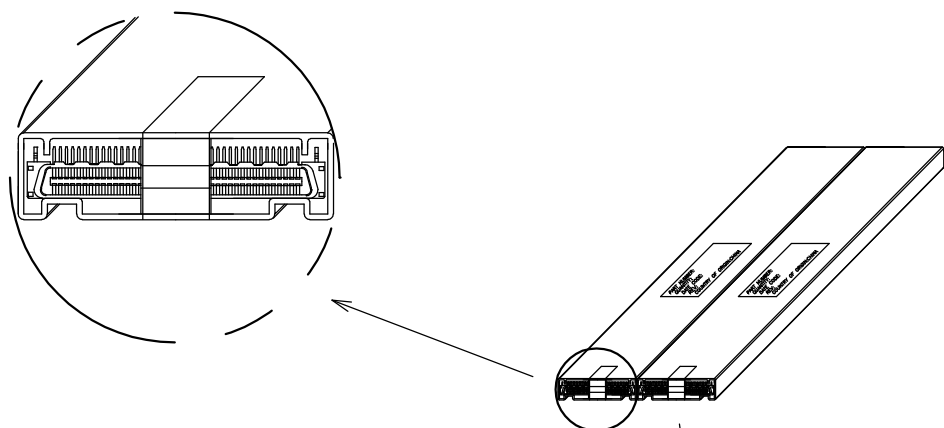
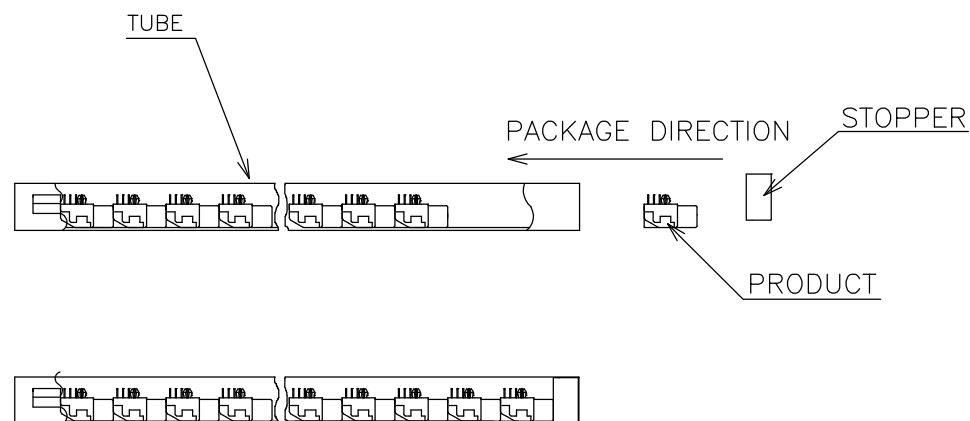
© COPYRIGHT - By -

ALL RIGHTS RESERVED.

LOC DW DIST

REVISIONS

P	LTR	DESCRIPTION	DATE	DWN	APVD
-	-	SEE SHEET 1	-	-	-

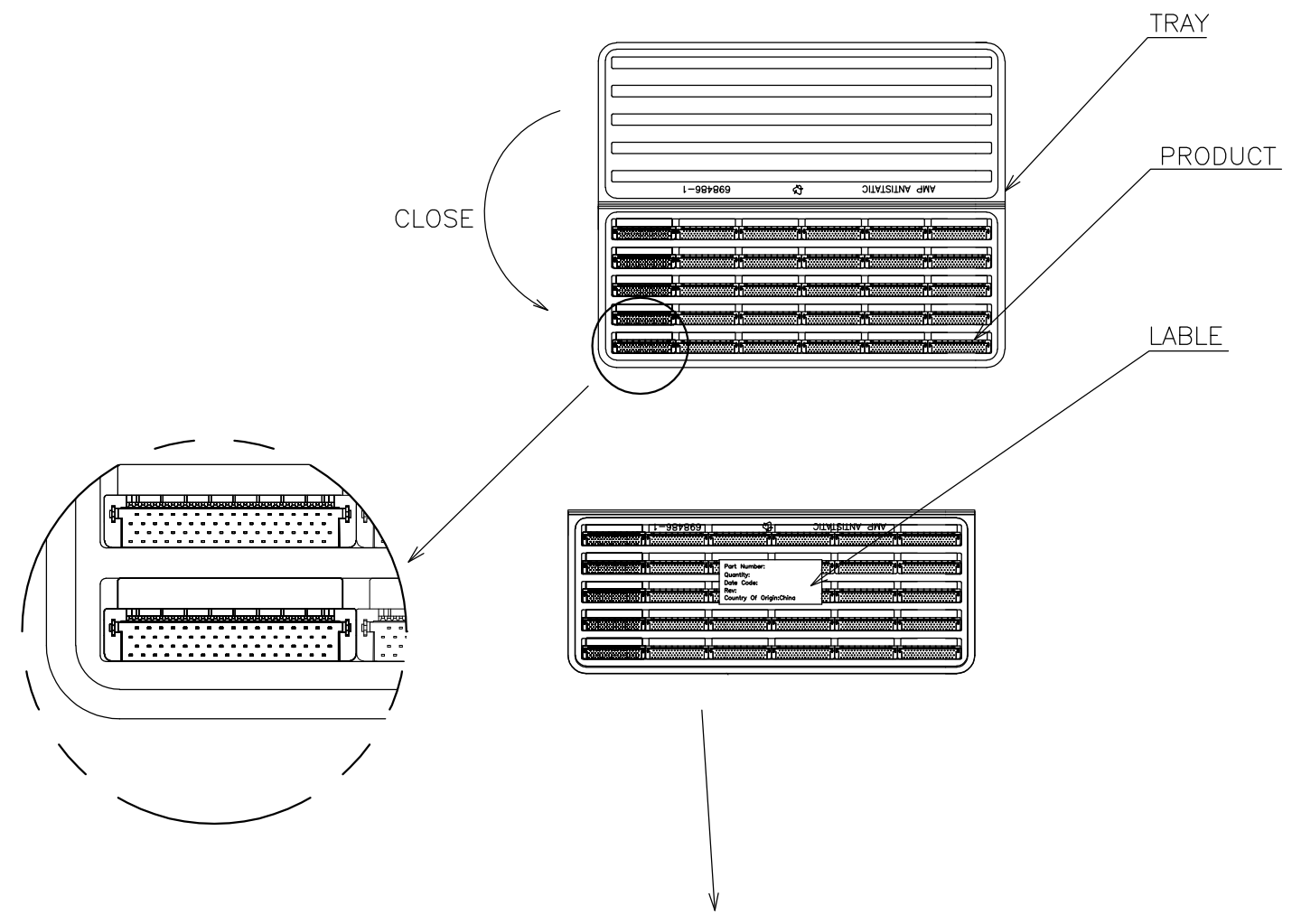


POS.	Q'TY/TUBE	TUBE/BOX	Q'TY/BOX	N/W (KG)	G/W (KG)	PART NUMBER
OBSOLETE	80	21	16	336	2.06	2.91
	100	21	16	336	2.55	3.40
	80	21	16	336	2.08	2.93

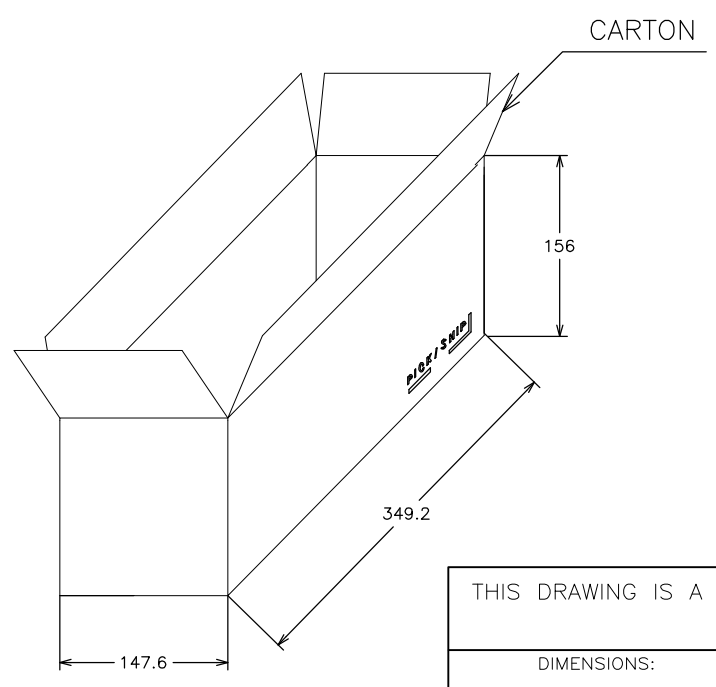
THIS DRAWING IS A CONTROLLED DOCUMENT.		DWN	-					
DIMENSIONS: mm		CHK	-					
TOLERANCES UNLESS OTHERWISE SPECIFIED:		APVD	-					
0 PLC ± -		PRODUCT SPEC	-					
1 PLC ± -		APPLICATION SPEC	-					
2 PLC ± -		WEIGHT	-					
3 PLC ± -		TE Connectivity RECEPTACLE ASSEMBLY, R/A, BTB, CHAMP.050, SERIES I						
4 PLC ± -		SIZE	A3	CAGE CODE	00779	DRAWING NO	C-1734037	
ANGLES ± -		RESTRICTED TO						
FINISH		CUSTOMER DRAWING						
MATERIAL		SCALE	-		SHEET	3 OF 4	REV	G1

THIS DRAWING IS UNPUBLISHED. RELEASED FOR PUBLICATION
 © COPYRIGHT - By - ALL RIGHTS RESERVED.

LOC	DIST	REVISIONS				
P	LTR	DESCRIPTION	DATE	DWN	APVD	
DW	/	SEE SHEET 1	-	-	-	



POS.	Q'TY/ TRAY	TRAY/ BOX	Q'TY/ BOX	N/W (KG)	G/W (KG)	PART NUMBER
ⓐ	160	10	100	1.33	2.28	5-1734037-6
						3-1734037-6
						1-1734037-6
ⓐ	140	15	150	1.67	2.62	5-1734037-4
						3-1734037-4
						1-1734037-4
ⓐ	120	15	150	1.35	2.30	2-1734037-0
						1-1734037-8
						1-1734037-2
ⓐ	100	20	200	1.43	2.43	5-1734037-1
						3-1734037-1
						1-1734037-1
ⓐ	68	30	300	1.65	2.60	4-1734037-7
						2-1734037-7
						1734037-7
ⓐ	60	30	300	1.60	2.60	4-1734037-6
						2-1734037-6
						1734037-6
ⓐ	50	35	350	1.55	2.50	4-1734037-5
						2-1734037-5
						1734037-5
ⓐ	40	45	450	1.55	2.45	4-1734037-4
						2-1734037-4
						1734037-4



THIS DRAWING IS A CONTROLLED DOCUMENT.

DIMENSIONS: mm	TOLERANCES UNLESS OTHERWISE SPECIFIED:	DWN	TE Connectivity
	0 PLC ± -	CHK	RECEPTACLE ASSEMBLY, R/A, BTB, CHAMP.050, SERIES I
	1 PLC ± -	APVD	NAME
	2 PLC ± -	PRODUCT SPEC	SIZE
	3 PLC ± -	APPLICATION SPEC	CAGE CODE
	4 PLC ± -	WEIGHT	DRAWING NO
	ANGLES ± -		RESTRICTED TO
MATERIAL	FINISH		A3 00779 C-1734037

CUSTOMER DRAWING SCALE: - SHEET: 4 OF 4 REV: G1

Mouser Electronics

Authorized Distributor

Click to View Pricing, Inventory, Delivery & Lifecycle Information:

[TE Connectivity:](#)

[1-1734037-6](#)