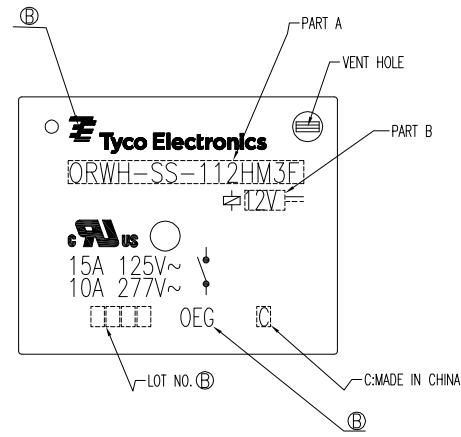
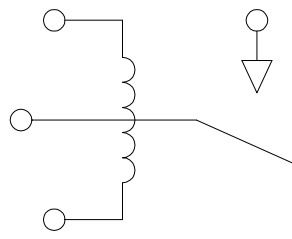


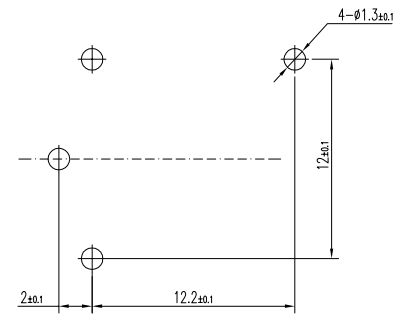
LOC HB	DISTR	REVISIONS					
		P	LTR	DESCRIPTION	DATE	DWN	APVD
		C		PN. OBSOLETE ECO-12-004810	24-APR-12	BL,L	BH,Y



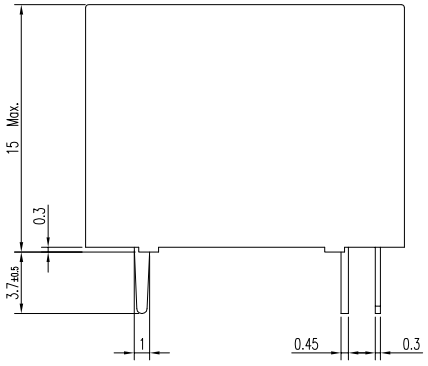
CIRCUIT DIAGRAM (BOTTOM VIEW)



DRILLING DIAGRAM (BOTTOM VIEW)

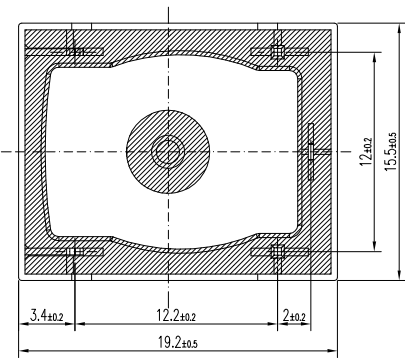


STATUS	PART NO	PART B	PART A	ITEM
OBSOLETE	1721958-1	3V	ORWH-SS-103HM3F	A
OBSOLETE	1721958-2	5V	ORWH-SS-105HM3F	B
OBSOLETE	1721958-3	6V	ORWH-SS-106HM3F	C
OBSOLETE	1721958-4	9V	ORWH-SS-109HM3F	D
ACTIVE	1721958-5	12V	ORWH-SS-112HM3F	E
OBSOLETE	1721958-6	18V	ORWH-SS-118HM3F	F
OBSOLETE	1721958-7	22V	ORWH-SS-122HM3F	G
OBSOLETE	1721958-8	24V	ORWH-SS-124HM3F	H
OBSOLETE	1721958-9	48V	ORWH-SS-148HM3F	I
OBSOLETE	1-1721958-0	3V	ORWH-SH-103HM3F	J
OBSOLETE	1-1721958-1	5V	ORWH-SH-105HM3F	K
OBSOLETE	1-1721958-2	6V	ORWH-SH-106HM3F	L
OBSOLETE	1-1721958-3	9V	ORWH-SH-109HM3F	M
ACTIVE	1-1721958-4	12V	ORWH-SH-112HM3F	N
OBSOLETE	1-1721958-5	18V	ORWH-SH-118HM3F	O
OBSOLETE	1-1721958-6	22V	ORWH-SH-122HM3F	P
ACTIVE	1-1721958-7	24V	ORWH-SH-124HM3F	Q
OBSOLETE	1-1721958-8	48V	ORWH-SH-148HM3F	R



NOTE
 ⊕ 1. LOT NO. SYSTEM AS FOLLOWING:

 WEEK YEAR



GENERAL TOLERANCE

Diagram dimension	Tolerance
0.99mm max.	±0.1mm
1 - 2.99mm	±0.2mm
3mm min.	±0.3mm

		UV RESIN	UV SEAL(FOR SH)	14	
		EPOXY RESIN	SEAL	13	
CLASS 155 F		MW79	MAGNETIC WIRE	12	
		HCP	COIL TERMINAL	11	
UL94 V-0		PET	BOBBIN	10	
UL94 V-0		NYLON	CASE	9	
		Ag ALLOY	STATIONARY CONTACT	8	
		Ag ALLOY	MOVABLE CONTACT	7	
		Cu ALLOY	MOVABLE SPRING	6	
		Cu ALLOY	DUMMY TERMINAL	5	
		Cu ALLOY	NO TERMINAL	4	
		Ni PLATED	STEEL	CORE	3
		Cu PLATED	STEEL	ARMATURE FORM C	2
		Ni PLATED	STEEL	YOKE	1
INCOMBUSTIBILITY	TREATMENT	MATERIAL	DESCRIPTION	ITEM	

DIMENSIONS: mm		TOLERANCES UNLESS OTHERWISE SPECIFIED:		DWN Fu Bo	TE Connectivity
		0 PLC ± 1 PLC ± 2 PLC ± 3 PLC ± 4 PLC ±		CHK XN.ZHANG	
MATERIAL SEE MATERIAL TABLE		FINISH		APVD CH.HSU	ORWH-HM3F ,000 CUSTOMER DRAWING
				PRODUCT SPEC	
				APPLICATION SPEC	SIZE A3
				WEIGHT	GAGE CODE 00779
				CUSTOMER DRAWING	DRAWING NO. 1721958
					RESTRICT TO
					SCALE 3:1
					SHEET 1 OF 1
					REV C

Mouser Electronics

Authorized Distributor

Click to View Pricing, Inventory, Delivery & Lifecycle Information:

[TE Connectivity:](#)

[1-1721958-8](#)