

REVISIONS					
P	LTR	DESCRIPTION	DATE	DWN	APVD
	A	NEW DRAWING	11OCT2006	SG	AS
	C	ECR-07-023950	12OCT2007	WD	WM
	C1	DRAWING NAME ADAPTED	11JUN2014	Bren	Merz

Aktuelle Produktinformationen
 Siehe Produktgruppenzeichnung
 1719797

REFER TO PRODUCT GROUP DRAWING
 FOR LATEST INFORMATION
 OF THE PART
 1719797

2006


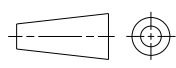
RELEASED FOR PUBLICATION

ALL RIGHTS RESERVED.

THIS DRAWING IS UNPUBLISHED.

BY -

© COPYRIGHT 2006

DIMENSIONS: mm		DWN S. G.	11OCT2006	MATERIAL	-	FINISH	-
TOLERANCES UNLESS OTHERWISE SPECIFIED:		CHK A. Schmid	11OCT2006	 TE Connectivity			
		APVD A. Schmid	11OCT2006				
0 PLC ± 1 PLC ± 2 PLC ± 3 PLC ± 4 PLC ± ANGLES ±°		PRODUCT SPEC	-	NAME MCON 2.8 RECEPTACLE MCON 2.8 Buchsenkontakt			
		APPLICATION SPEC	-	SIZE	CAGE CODE	DRAWING NO	RESTRICTED TO
		WEIGHT	-	A 4	00779	C-1719840	-
		Customer Drawing		SCALE	-	SHEET	1 OF 1
						REV	C1

Mouser Electronics

Authorized Distributor

Click to View Pricing, Inventory, Delivery & Lifecycle Information:

[TE Connectivity:](#)

[1719840-3](#)