

THIS DRAWING IS UNPUBLISHED. RELEASED FOR PUBLICATION OCT ,2003.

© COPYRIGHT 2003 By -- ALL RIGHTS RESERVED.

NOTE

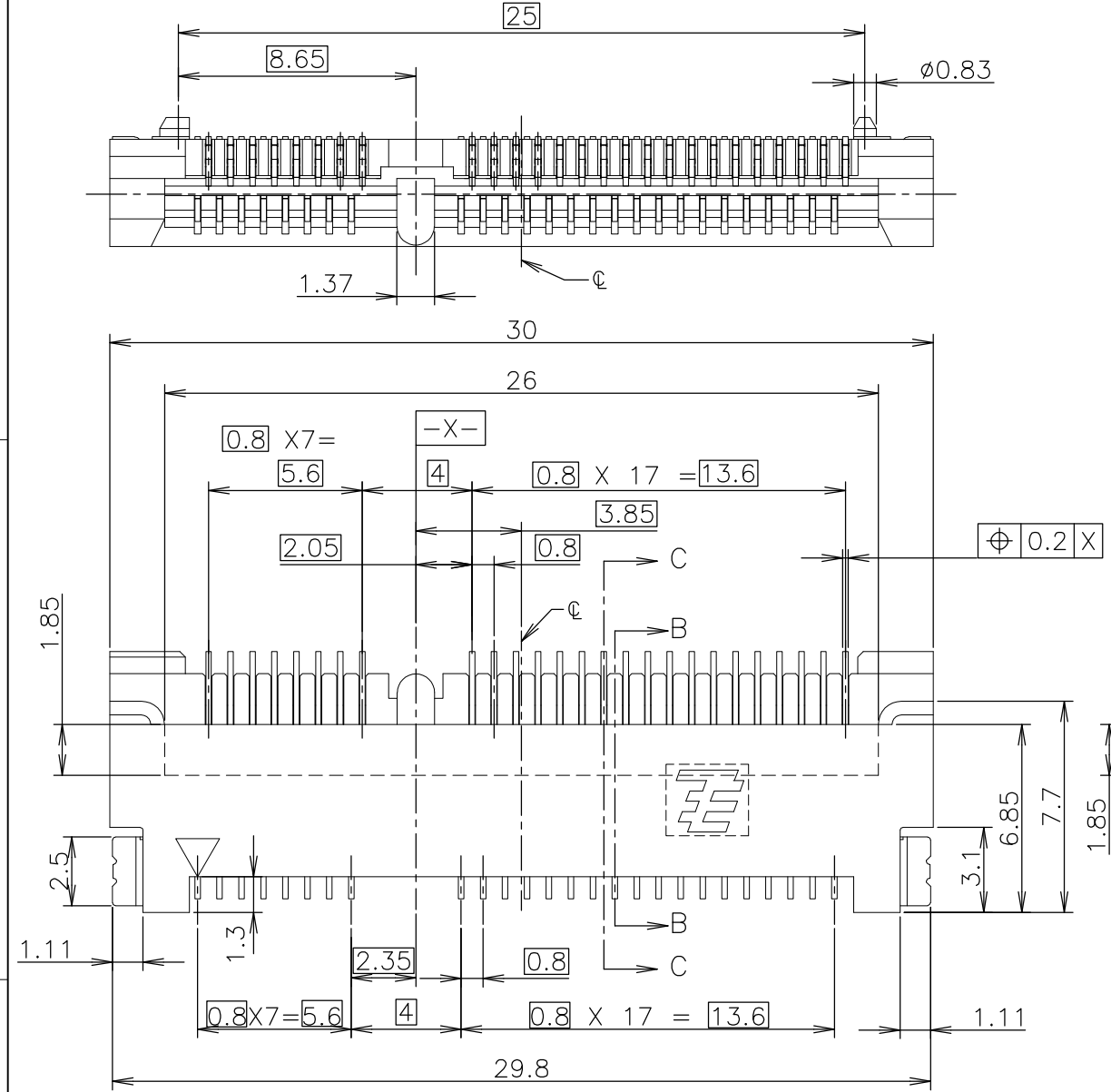
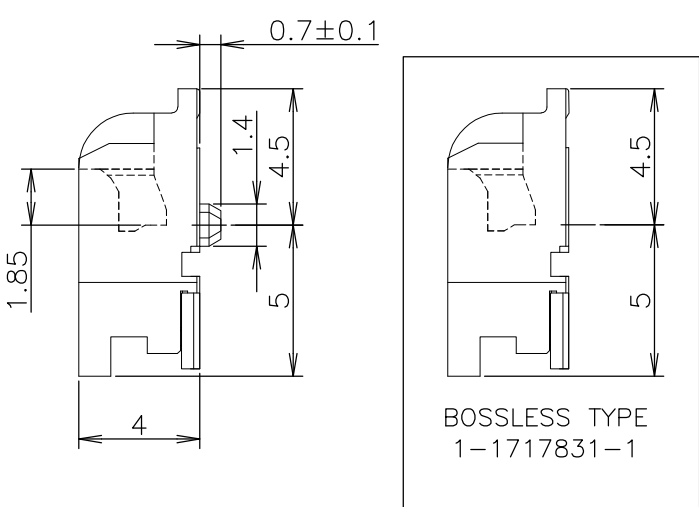
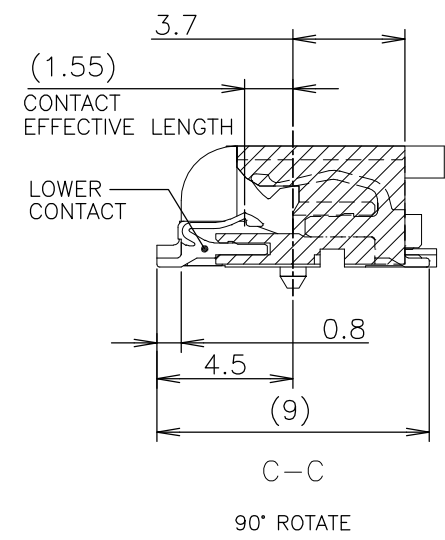
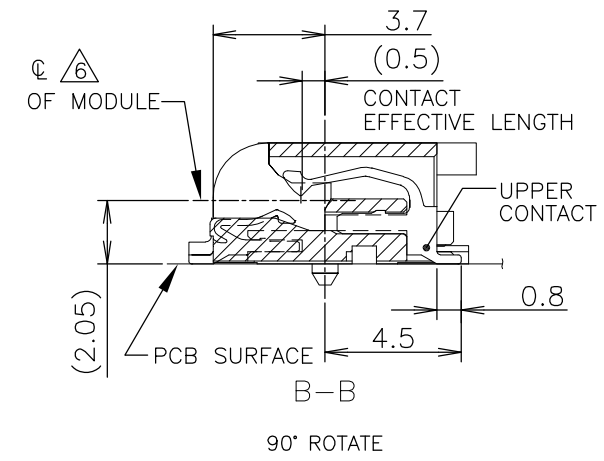
- MATERIAL : HOUSING : HIGH TEMPERATURE THERMO PLASTIC UL94V-0
COLOR: BLACK
CONTACT : COPPER ALLOY
SOLDER PEG : COPPER ALLOY
- FINISH : CONTACT : GOLD FLASH ON CONTACT AREA, ALL OVER NICKEL.
SOLDER PEG : TIN PLATE, ALL OVER NICKEL

③ TOLERANCES NON-CUMMURATIVE

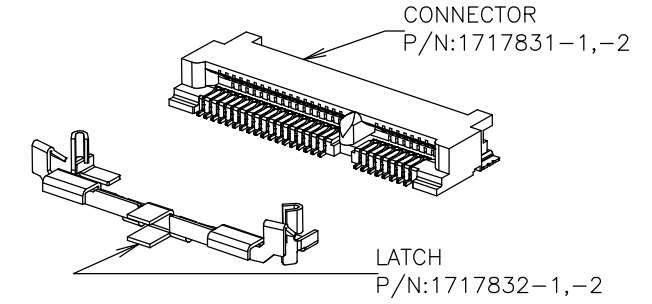
④ -D- IS THE TOP SURFACE OF PCB.

⑤ COMPONENT KEEP OUT AREA BASED ON MINI PCI EXPRESS SPECIFICATION 1.0 CANDIDATE DRAFT (v1)

⑥ THE FLOATING VALUE BY SOLDERING IS NOT INCLUDED.



REVISIONS					
P	LTR	DESCRIPTION	DATE	DWN	APVD
	E	RELEASED PER ECR-16-010328	19JUL2016	S.W	C.W



PCI-E MINI CARD CONNECTOR
SIGNAL ASSIGNMENTS

PIN#	NAME	PIN#	NAME
51	Reserved	52	+3.3Vaux
49	Reserved	50	GND
47	Reserved	48	+1.5V
45	Reserved	46	LED_WPAN#
43	GND	44	LED_WLAN#
41	+3.3Vaux	42	LED_WWAN#
39	+3.3Vaux	40	GND
37	GND	38	USB_D+
35	GND	36	USB_D-
33	PETp0	34	GND
31	PETn0	32	SMB_DATA
29	GND	30	SMB_CLK
27	GND	28	+1.5V
25	PERp0	26	GND
23	PERn0	24	+3.3Vaux
21	GND	22	PERST#
19	Reserved* (UIM_C4)	20	W_DISABLE#
17	Reserved* (UIM_C8)	18	GND
MECHANICAL KEY			
15	GND	16	UIM_VPP
13	REFCLK+	14	UIM_RESET
11	REFCLK-	12	UIM_CLK
9	GND	10	UIM_DATA
7	CLKREQ#	8	UIM_PWR
5	COEX2	6	1.5V
3	COEX1	4	GND
1	WAKE#	2	3.3Vaux

mSATA CONNECTOR
SIGNAL ASSIGNMENTS

PIN#	NAME	PIN#	NAME
51	Presence Detection	52	+3.3V
49	DA/DSS	50	GND
47	Vendor	48	+1.5V
45	Vendor	46	Reserved
43	No Connect	44	Reserved
41	+3.3V	42	Reserved
39	+3.3V	40	GND
37	GND	38	Reserved
35	GND	36	Reserved
33	+A	34	GND
31	-A	32	Two Wire Interface
29	GND	30	Two Wire Interface
27	GND	28	+1.5V
25	-B	26	GND
23	+B	24	+3.3V
21	GND	22	Reserved
19	Reserved	20	Reserved
17	Reserved	18	GND
MECHANICAL KEY			
15	GND	16	Reserved
13	Reserved	14	Reserved
11	Reserved	12	Reserved
9	GND	10	Reserved
7	Reserved	8	Reserved
5	Reserved	6	+1.5V
3	Reserved	4	GND
1	Reserved	2	+3.3V

* Reserved for future UIM interface (if needed)

THIS DRAWING IS A CONTROLLED DOCUMENT.

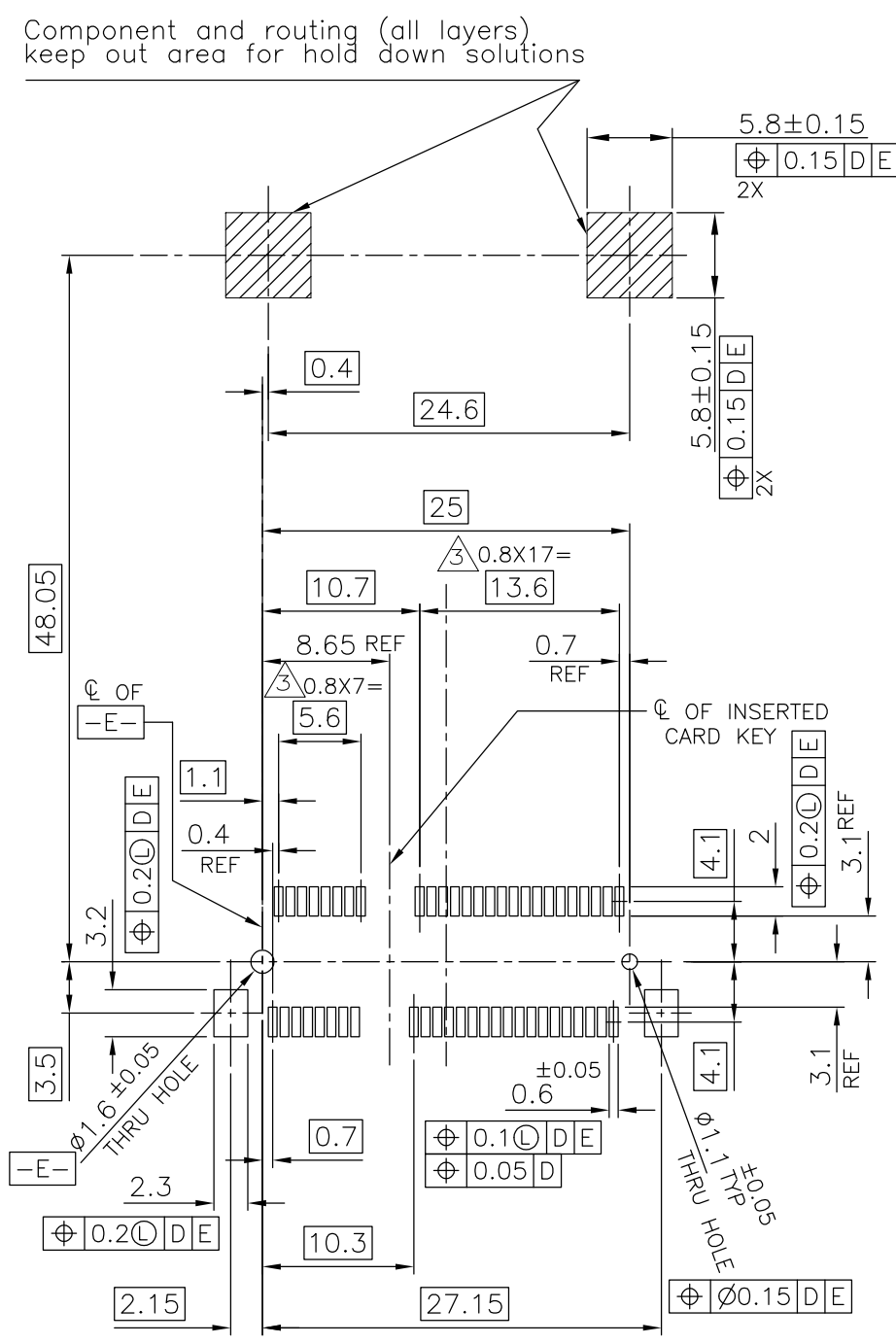
DIMENSIONS: MM	TOLERANCES UNLESS OTHERWISE SPECIFIED:
	0 PLC ± -
	1 PLC ± -
	2 PLC ± -
	3 PLC ± -
	4 PLC ± -
	ANGLES ± -
MATERIAL SEE NOTE	FINISH SEE NOTE

TOLERANCES UNLESS OTHERWISE SPECIFIED
10 ≥ : ±0.2
30 ≥ >10: ±0.25
100 ≥ >10: ±0.3
ANGLES : ±3°

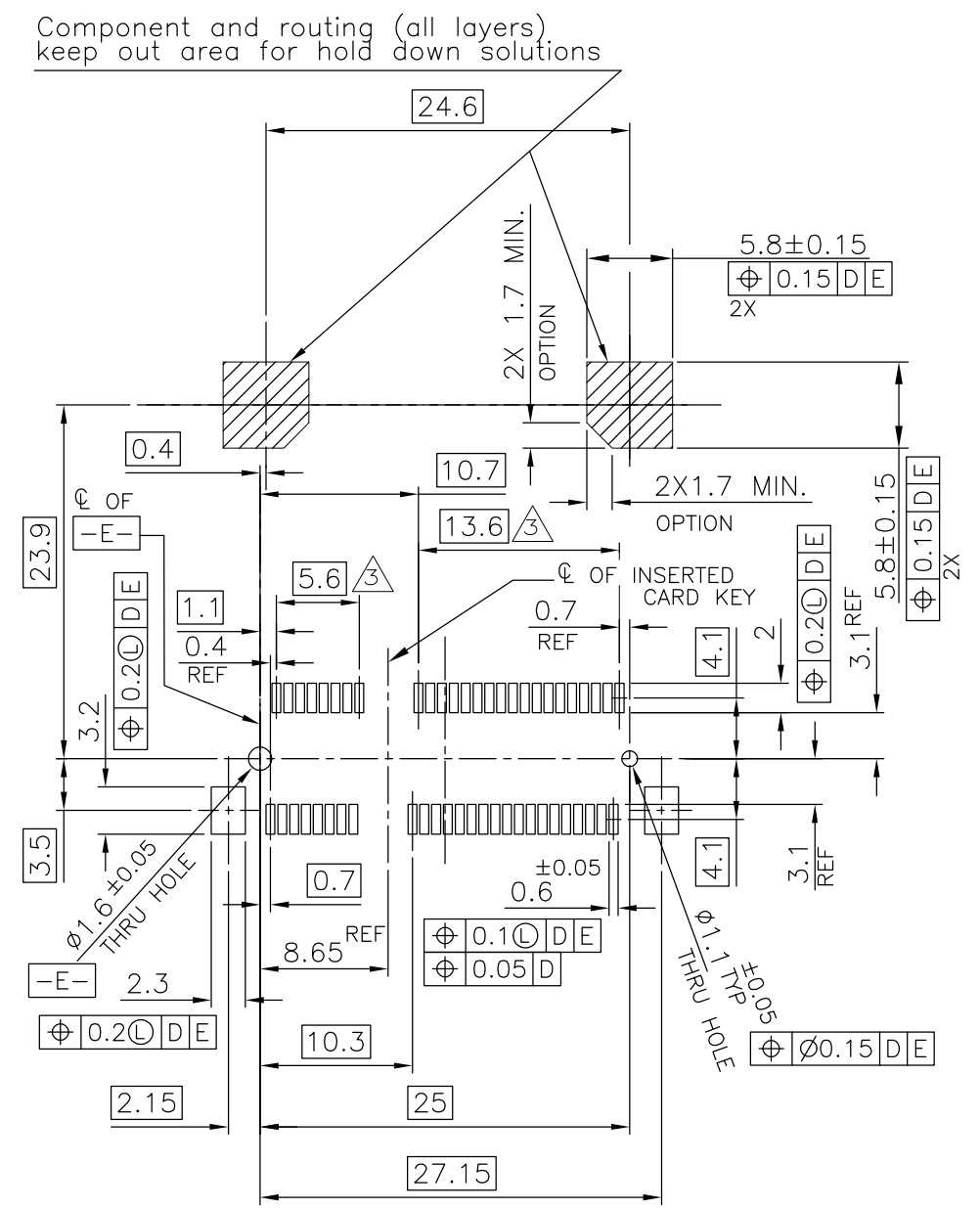
DWN J.TANIGAWA 100CT03	TE Connectivity
CHK Y.YAMAMOTO 100CT03	
APVD Y.YAMAMOTO 100CT03	
PRODUCT SPEC 108-5899	
NAME SEMI HARD TRAY & EMBOSS TAPE SUPPLY 2 IN 1 mSATA AND MINI PCI EXPRESS MINI CARD CONNECTOR 4mm HEIGHT	RESTRICTED TO
APPLICATION SPEC	SIZE A3
WEIGHT 1.2g	CAGE CODE 00779
CUSTOMER DRAWING	DRAWING NO C-1717831
SCALE 4:1	SHEET 1 OF 7
REV E	

THIS DRAWING IS UNPUBLISHED. RELEASED FOR PUBLICATION OCT. 2003.
 © COPYRIGHT 2003 By - ALL RIGHTS RESERVED.

P	LTR	DESCRIPTION	DATE	DWN	APVD
-	-	SEE SHEET 1	-	-	-



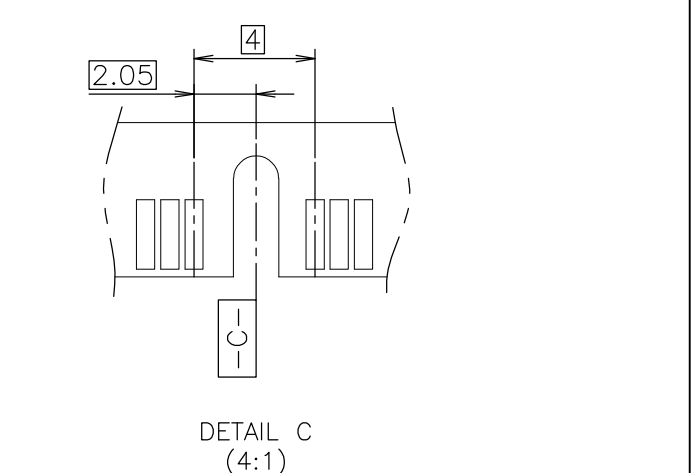
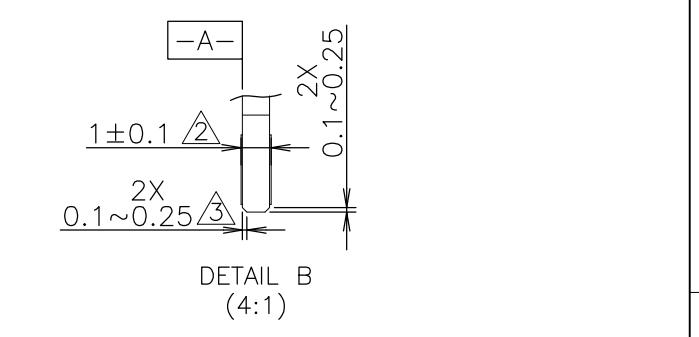
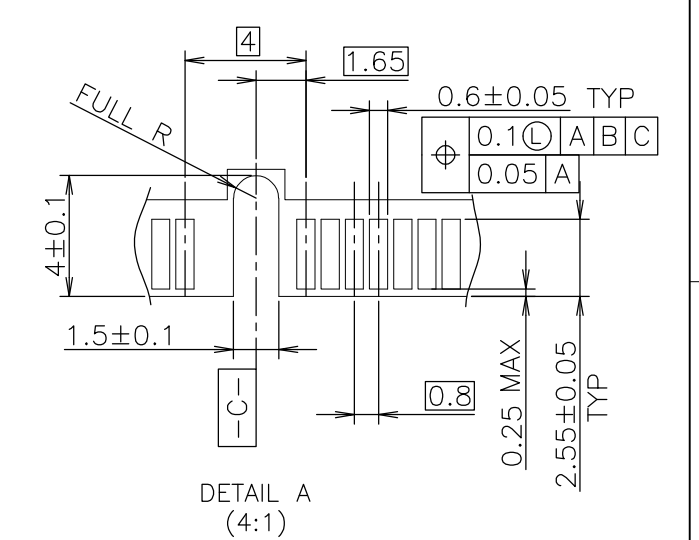
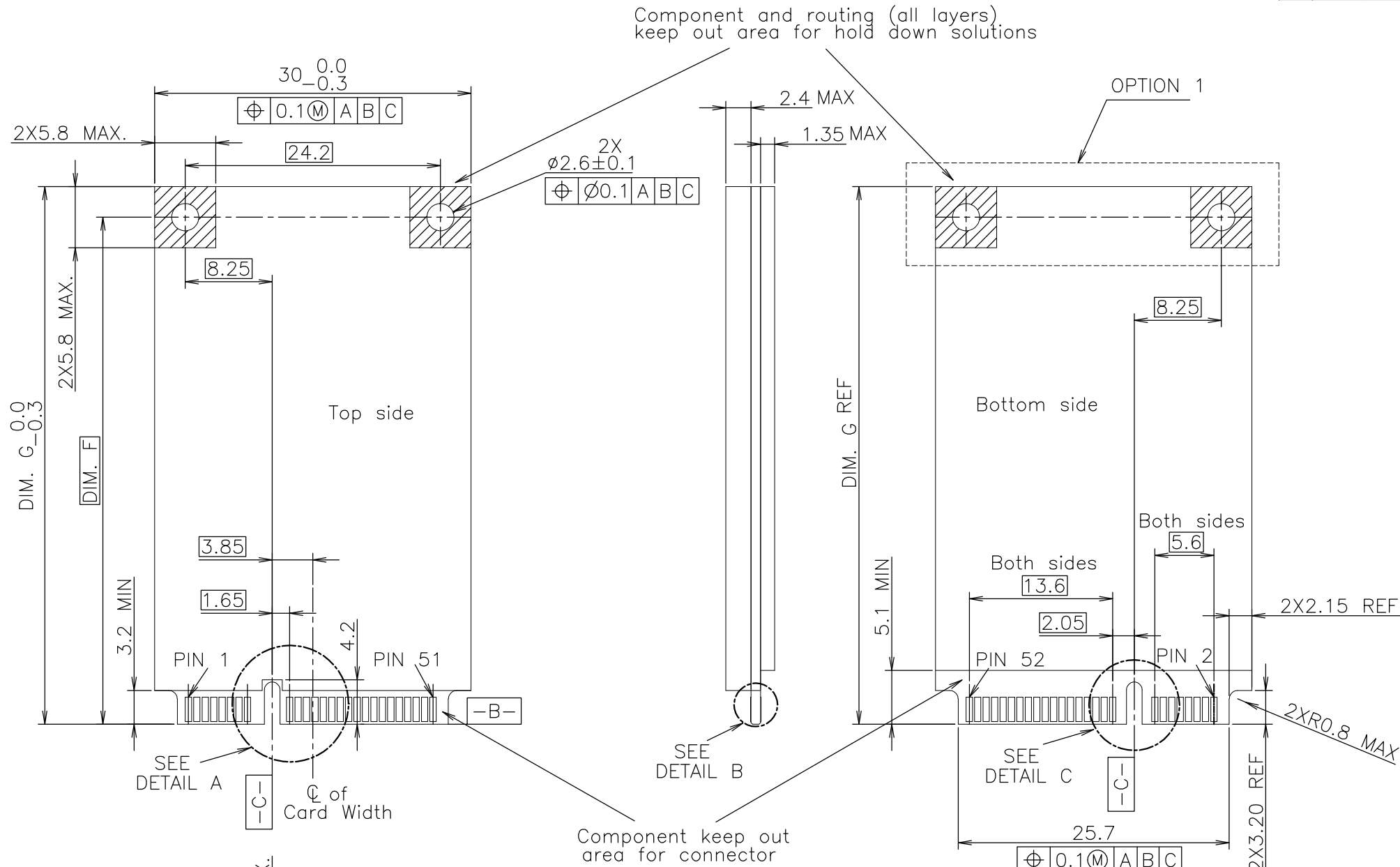
REFERENTIAL P.C.BOARD LAYOUT FOR FULL CARD CONNECTOR



REFERENTIAL P.C.BOARD LAYOUT FOR HALF CARD CONNECTOR

THIS DRAWING IS A CONTROLLED DOCUMENT.		DWN	STE TE Connectivity		
DIMENSIONS: MM		CHK			
TOLERANCES UNLESS OTHERWISE SPECIFIED:		APVD	NAME		
0 PLC ± -		PRODUCT SPEC	SEMI HARD TRAY & EMBOSS TAPE SUPPLY		
1 PLC ± -		APPLICATION SPEC	2 IN 1 mSATA AND MINI PCI EXPRESS MINI CARD		
2 PLC ± -		WEIGHT	SIZE	CAGE CODE	DRAWING NO
3 PLC ± -		CUSTOMER DRAWING	A3	00779	C-1717831
4 PLC ± -			SCALE	SHEET	REV
ANGLES ± -		2:1	2 OF 7	E	
FINISH		RESTRICTED TO			

P	LTR	DESCRIPTION	DATE	DWN	APVD
-	-	SEE SHEET 1	-	-	-



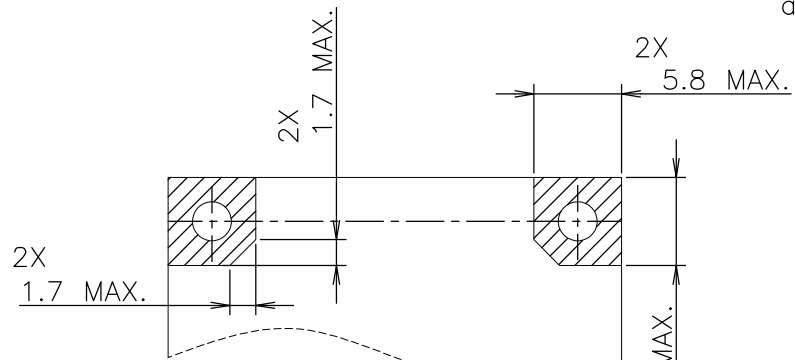
DIM. F	DIM. G	
48.05	50.95	FULL-MINI CARD
23.9	26.8	HALF-MINI CARD

RECOMMENDED MATING P.C.B CONFIGURATION FOR PCI EXPRESS MINI CARD

THIS DRAWING IS A CONTROLLED DOCUMENT.		DWN		TE Connectivity	
DIMENSIONS: MM		CHK			
TOLERANCES UNLESS OTHERWISE SPECIFIED:		APVD			
0 PLC ± - 1 PLC ± - 2 PLC ± - 3 PLC ± - 4 PLC ± - ANGLES ± - FINISH ± -		PRODUCT SPEC			
MATERIAL		APVD		NAME	
		APVD		SEMI HARD TRAY & EMBOSS TAPE SUPPLY	
		PRODUCT SPEC		2 IN 1 mSATA AND MINI PCI EXPRESS MINI CARD	
		APPLICATION SPEC		CONNECTOR 4mm HEIGHT	
		WEIGHT		SIZE	CAGE CODE
		WEIGHT		A3	00779
		WEIGHT		DRAWING NO	RESTRICTED TO
		WEIGHT		C-1717831	-
		WEIGHT		SCALE	SHEET
		WEIGHT		2:1	4 OF 7
		WEIGHT		REV	E
		WEIGHT			

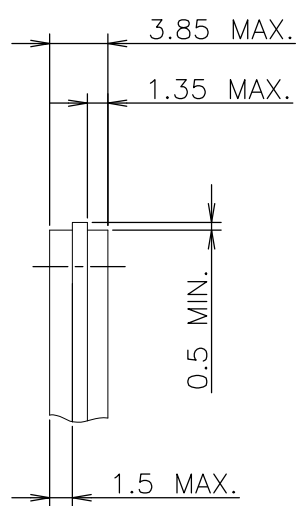
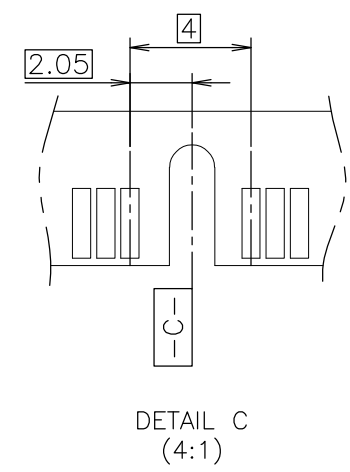
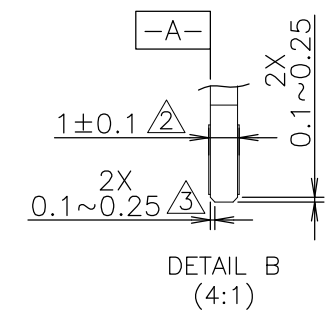
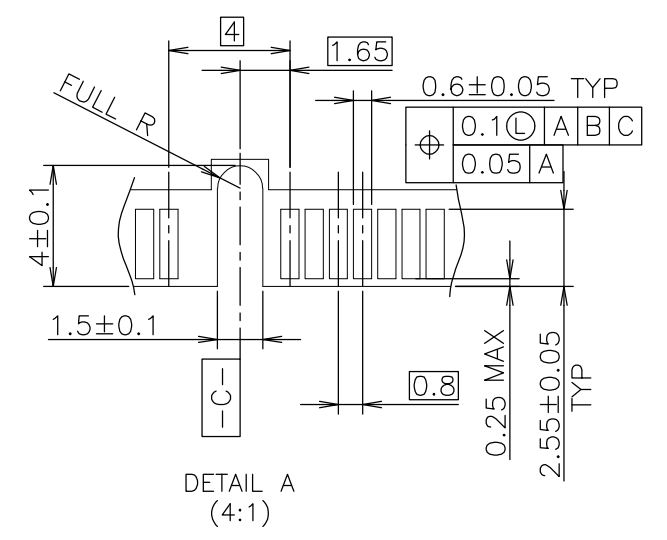
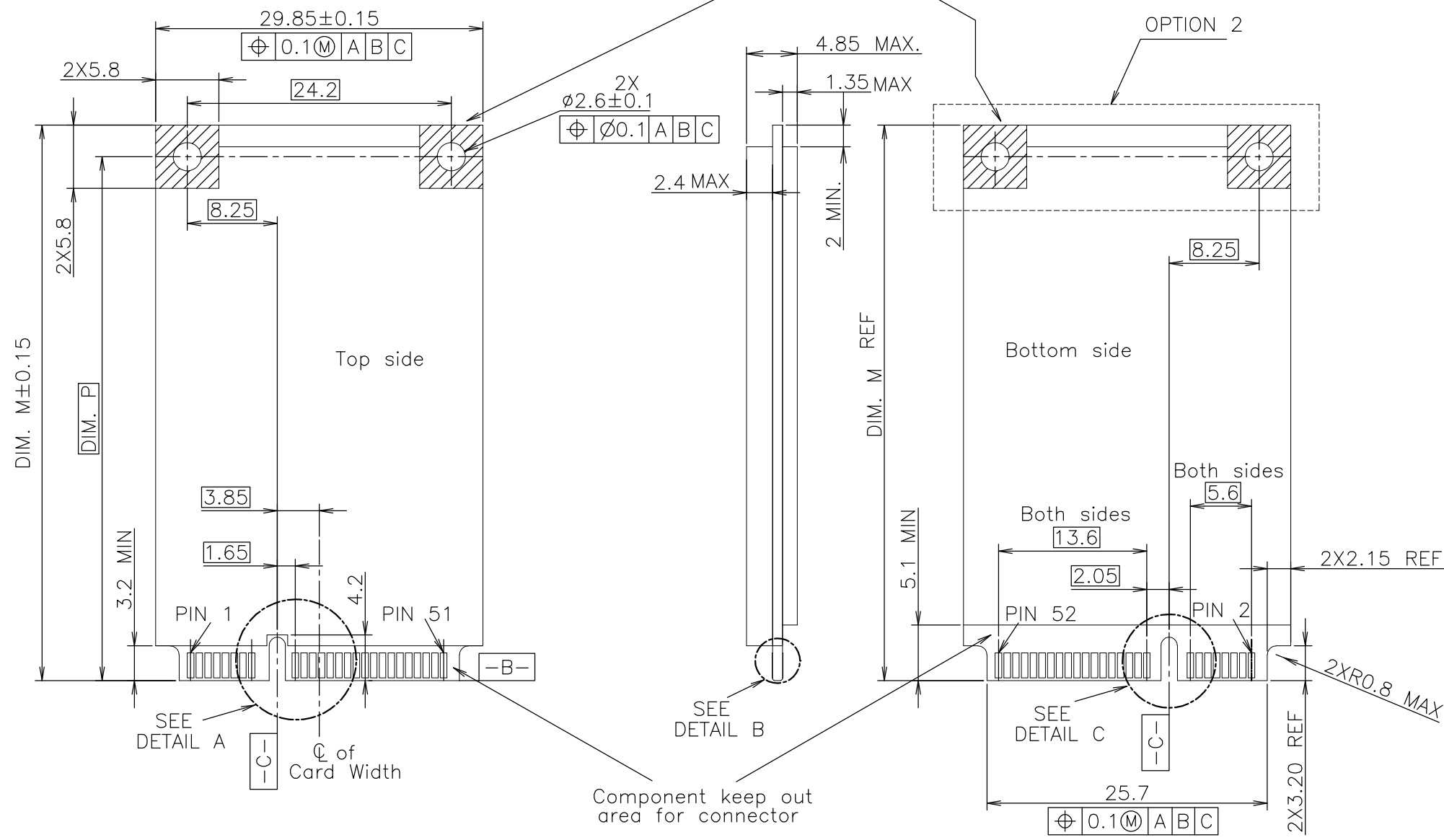
- NOTES
- 1.PCI EXPRESS MINI CARD,PCB THICKNESS 1.0mm.
 - CARD THICKNESS APPLIES ACROSS TABS AND INCLUDES PLATING AND/OR METALIZATION.
 - BEVEL MUST BE FREE OF CUTTING BURRS.

OPTION 1 FOR HALF-MINI CARD (TOP & BOTTOM SIDE)



P	LTR	DESCRIPTION	DATE	DWN	APVD
-	-	SEE SHEET 1	-	-	-

Component and routing (all layers) keep out area for hold down solutions



RECOMMENDED MATING P.C.B CONFIGURATION FOR mSATA

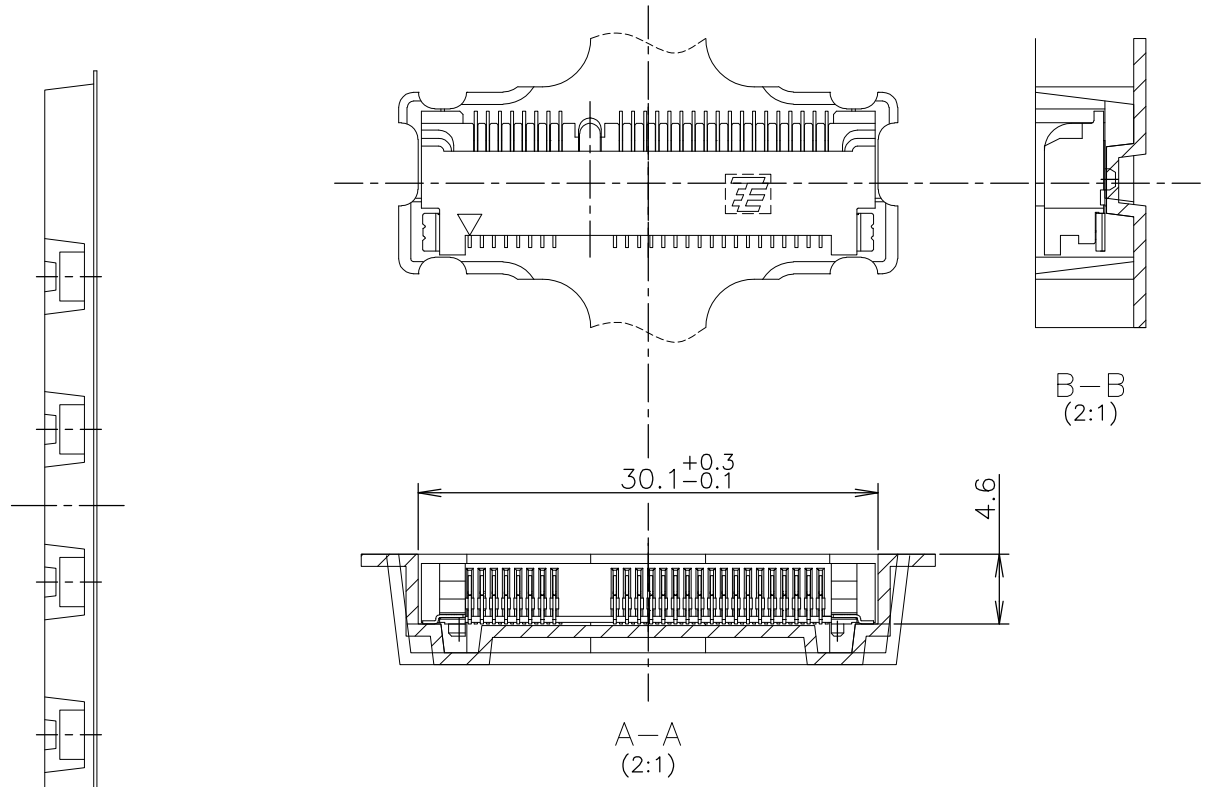
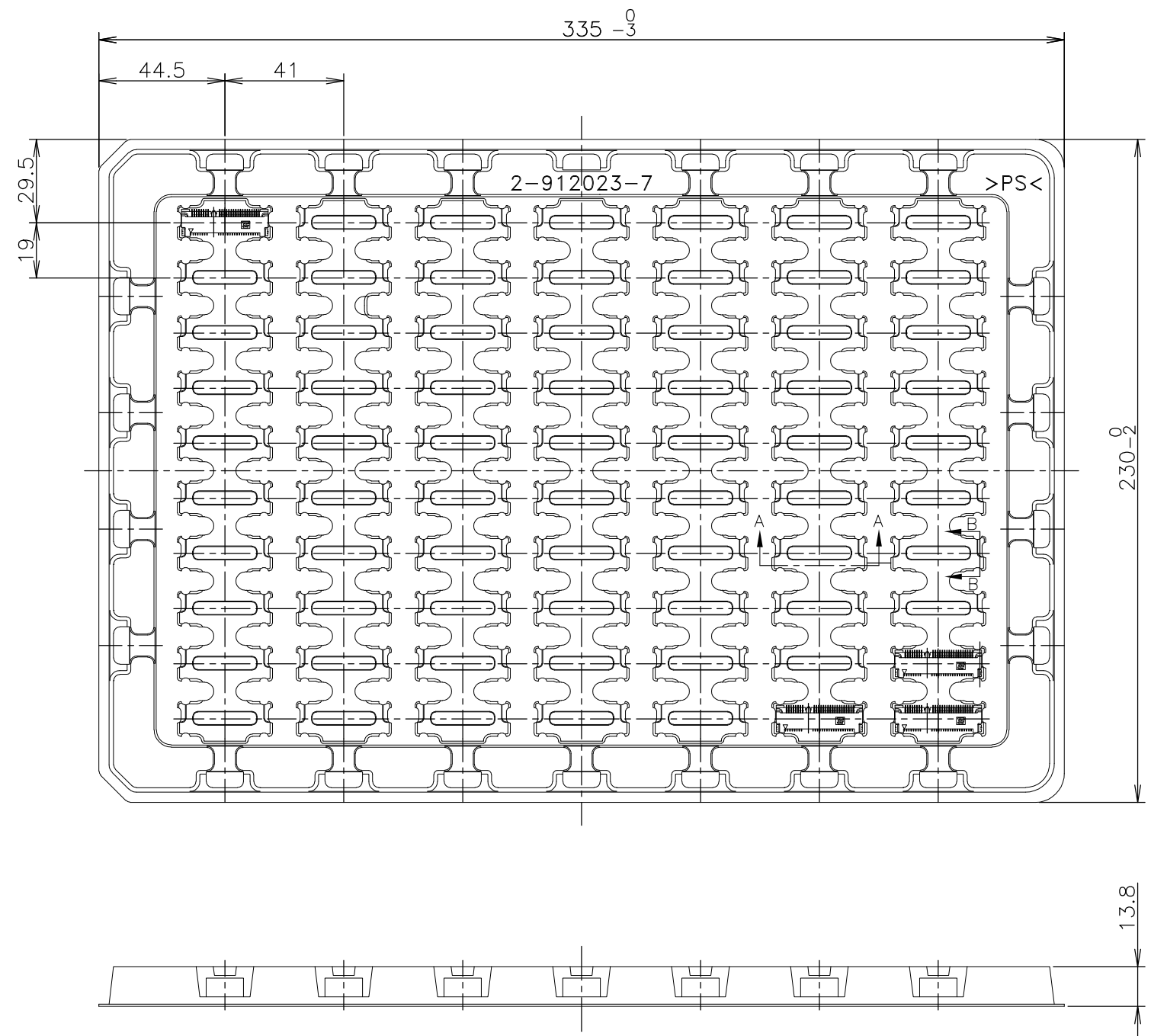
DIM. P	DIM. M	
48.05	50.8	FULL CARD
23.9	26.8	HALF CARD

- NOTES
- 1.mSATA CARD,PCB THICKNESS 1.0mm.
 - 2.CARD THICKNESS APPLIES ACROSS TABS AND INCLUDES PLATING AND/OR METALIZATION.
 - 3.BEVEL MUST BE FREE OF CUTTING BURRS.
 - 4.COMPONENT AND ROUTING (TOP/BOTTOM LAYER) KEEP OUT AREA FOR HOLD DOWN SOLUTIONS.

THIS DRAWING IS A CONTROLLED DOCUMENT.		DWN		TE Connectivity			
DIMENSIONS: MM		CHK				NAME	
TOLERANCES UNLESS OTHERWISE SPECIFIED:		APVD				SEMI HARD TRAY & EMBOSS TAPE SUPPLY	
0 PLC ± - 1 PLC ± - 2 PLC ± - 3 PLC ± - 4 PLC ± - ANGLES ± - FINISH ± -		PRODUCT SPEC				2 IN 1 mSATA AND MINI PCI EXPRESS MINI CARD	
MATERIAL		APVD		CONNECTION 4mm HEIGHT			
		APPLICATION SPEC		SIZE			
		WEIGHT		CAGE CODE			
		CUSTOMER DRAWING		DRAWING NO			
				RESTRICTED TO			
				SCALE 2:1			
				SHEET 5 OF 7			
				REV E			

THIS DRAWING IS UNPUBLISHED. RELEASED FOR PUBLICATION OCT , 2003.
 © COPYRIGHT 2003 By - ALL RIGHTS RESERVED.

REVISIONS					
P	LTR	DESCRIPTION	DATE	DWN	APVD
-	-	SEE SHEET 1	-	-	-



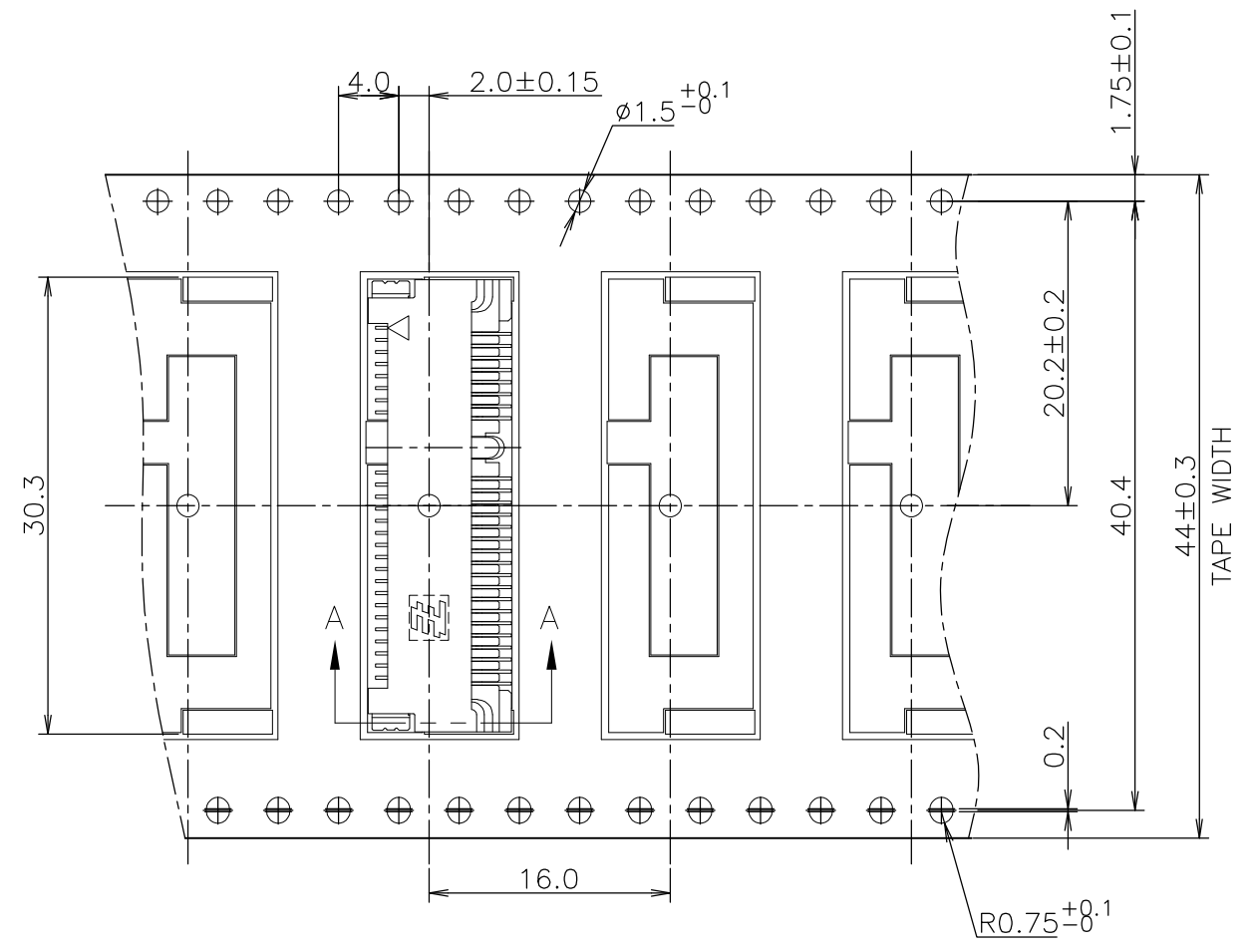
NOTE
 1. THE DIRECTION OF EACH CONNECTOR ON A TRAY IS REFERRED TO THIS DWG.

BOSSLESS	70EA/TRAY	2-912023-7	1-1717831-1
//	70EA/TRAY	2-912023-7	1717831-1
REMARK	QTY	TRAY P/N	P/N

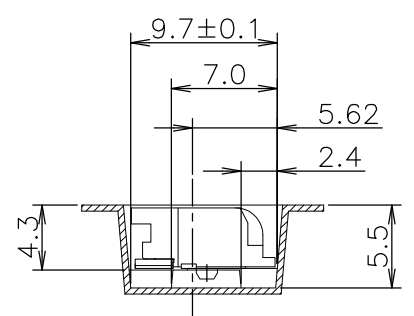
THIS DRAWING IS A CONTROLLED DOCUMENT.		DWN	STE TE Connectivity		
DIMENSIONS: MM		CHK			
TOLERANCES UNLESS OTHERWISE SPECIFIED:		APVD	NAME		
0 PLC ± -		PRODUCT SPEC	SEMI HARD TRAY & EMBOSS TAPE SUPPLY		
1 PLC ± -		108-5899	2 IN 1 mSATA AND MINI PCI EXPRESS MINI CARD		
2 PLC ± -		APPLICATION SPEC	CONNECTOR 4mm HEIGHT		
3 PLC ± -		WEIGHT	SIZE	CAGE CODE	DRAWING NO
4 PLC ± -		CUSTOMER DRAWING	A3	00779	C-1717831
ANGLES ± -			SCALE	SHEET	REV
FINISH ± -			NTS	6 OF 7	E
TOLERANCES UNLESS OTHERWISE SPECIFIED ±0.5					

THIS DRAWING IS UNPUBLISHED. RELEASED FOR PUBLICATION OCT , 2003.
 © COPYRIGHT 2003 By - ALL RIGHTS RESERVED.

REVISIONS					
P	LTR	DESCRIPTION	DATE	DWN	APVD
-	-	SEE SHEET 1	-	-	-

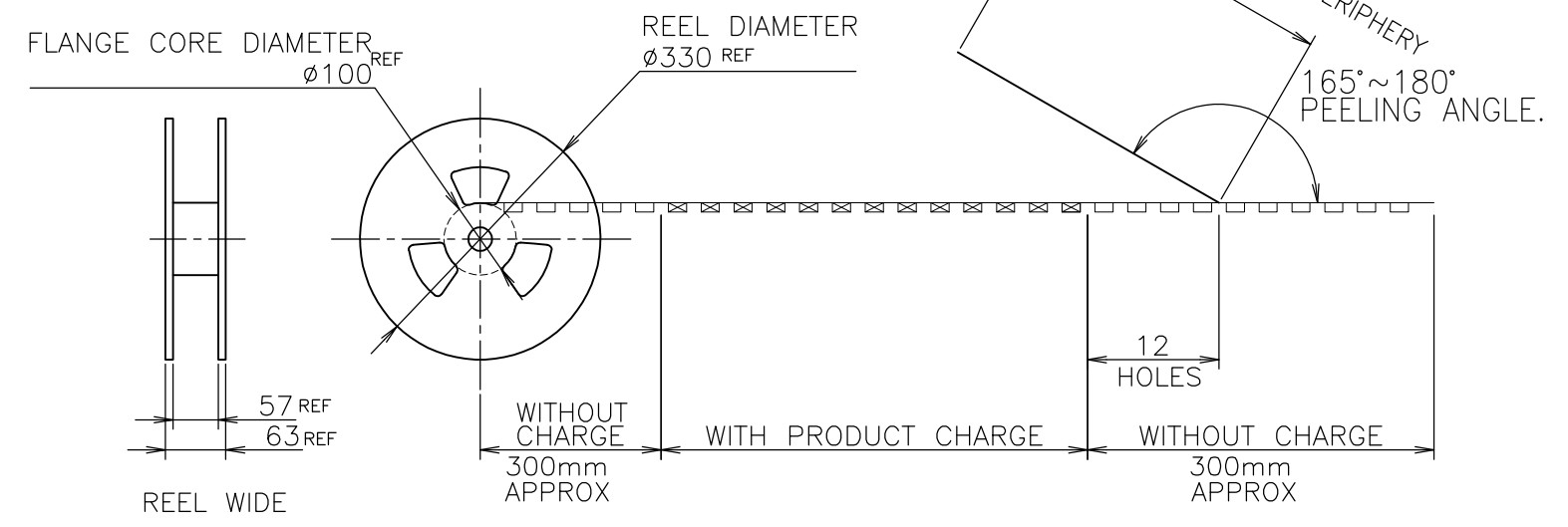


NOTE 1. PEELING RESISTANCE : 0.1N~1.3N
 (10gf~130gf)
 SPEED : 300mm/min



A-A

TOP OF REEL →



//	500EA	5-912103-9	1717831-2
REMARK	QTY/REEL	EMBOSS TAPE P/N	P/N

THIS DRAWING IS A CONTROLLED DOCUMENT.		DWN	STE TE Connectivity		
DIMENSIONS: MM		CHK			
TOLERANCES UNLESS OTHERWISE SPECIFIED:		APVD	NAME		
0 PLC ± -		PRODUCT SPEC	SEMI HARD TRAY & EMBOSS TAPE SUPPLY		
1 PLC ± -		108-5899	2 IN 1 mSATA AND MINI PCI EXPRESS MINI CARD		
2 PLC ± -		APPLICATION SPEC	CONNECTOR 4mm HEIGHT		
3 PLC ± -		WEIGHT	SIZE	CAGE CODE	DRAWING NO
4 PLC ± -		CUSTOMER DRAWING	A3	00779	C-1717831
ANGLES ± -			SCALE	SHEET	REV
FINISH		2:1	7 OF 7	E	

Mouser Electronics

Authorized Distributor

Click to View Pricing, Inventory, Delivery & Lifecycle Information:

[TE Connectivity:](#)

[1717831-1](#)