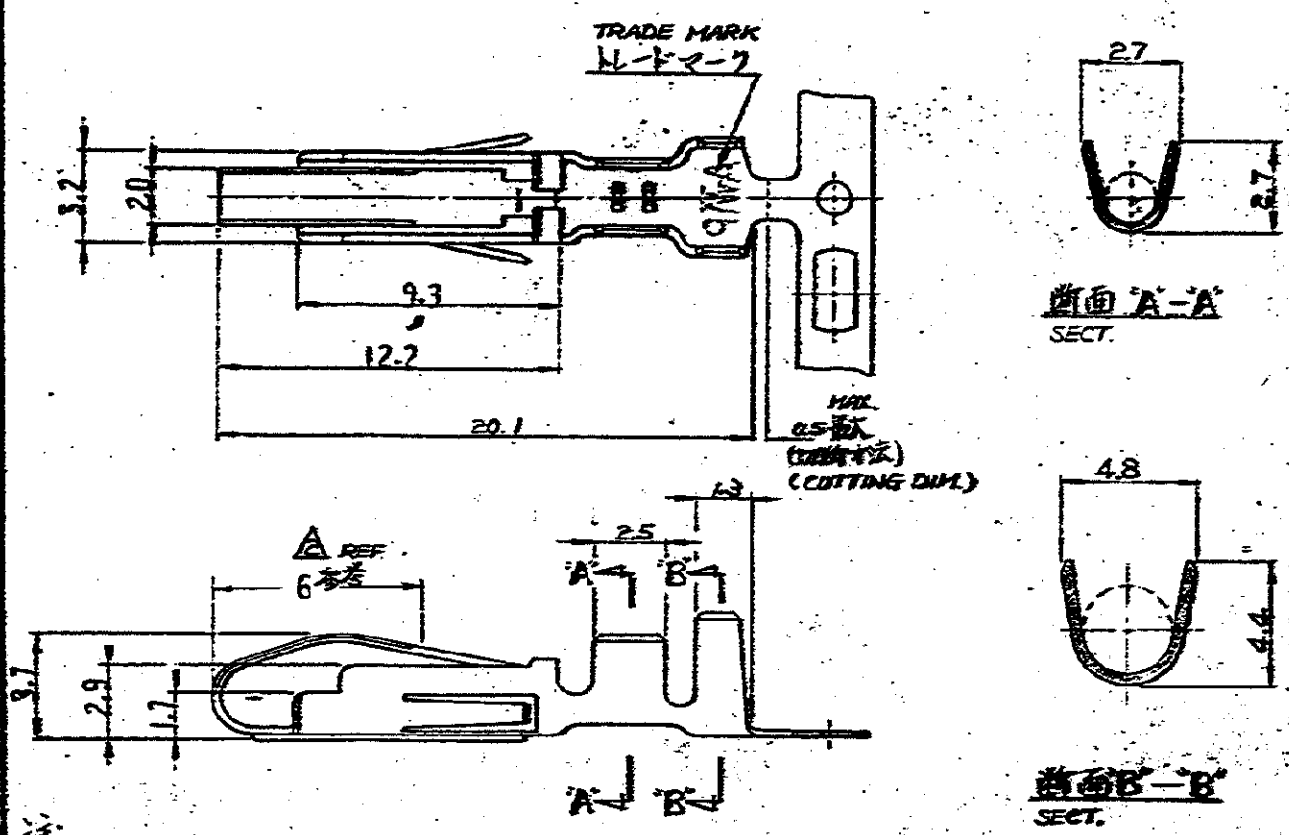


C-170484



注: 1. 通用ハウジング型番は以下の通り

POS 位置	MALE HSG オスハウジング	FEMALE HSG メスハウジング
16	172050	172068
17	172061	172069
8	172063	172070

△先端から約6mmまでの高線面は金めっき。
他の部分は無めっきである。

NOTES:
1. APPLICABLE HOUSING PINS ARE SHOWN IN TABLE OF LEFT SIDE.
△ GOLD PLATING ON CONTACT AREA OF 6 mm FROM TOP, OTHERS ARE NICKEL PLATED.

NOTE: ALL DIMENSIONS IN MM. DO NOT SCALE PRINT

170485-1		光青銅 PHS BR 0.3		170484-1	
15番型番 (L/P NUMBER)		材料 (MATERIAL)		型番 (PART NUMBER)	
CROSS REFERENCE: AMP DRAWING NO. 170485-1		COPYRIGHT AMP (Japan), Ltd. ALL RIGHTS RESERVED. AMP PRODUCTS COVERED BY PATENTS AND/OR PATENT'S PENDING.		参考図面 (CUSTOMER COPY REFERENCE ONLY)	
MATERIAL: SEE TABLE 参考表		TRADE MARK: AMP		東京 日本 (TOKYO, JAPAN)	
FINISH: SEE NOTE A 参考表		SPECIFICATION RANGE: 0.5 - 1.42 mm AMS 20-16		CLASSIFICATION	
REVISION RECORD: REVISED JPH-5860 S.M. 2/19/81		INSULATOR DIA.: 1.8 - 3.3 mm (0.075 - 0.130 in.)		MATERIAL	
RELEASED JPH-5860 S.M. 2/19/81		TOLERANCE: ±0.05 (EXCEPT AS NOTED)		SCALE: 4:1	
LTR 参考表 REVISION RECORD: DR. OK. DATE: 2/19/81		L.C. NO. 4.1		SIZE: J A C-170484	
DR. S. Tanaka 2/19/81		DR. NAME: コネクタ (ドロー-コネクタ)		CONTACT (DRAWER CONNECTOR)	
CHK. T. Lee 7/30/81		DATE: 2-20-81		REV. 0	

Mouser Electronics

Authorized Distributor

Click to View Pricing, Inventory, Delivery & Lifecycle Information:

[TE Connectivity:](#)

[170484-1](#)