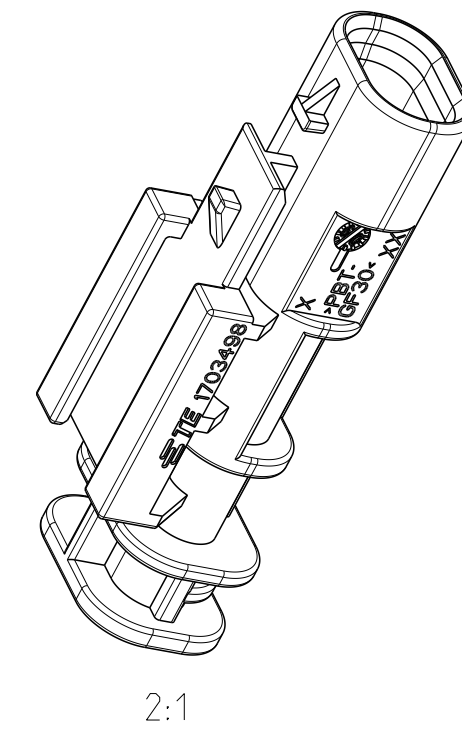
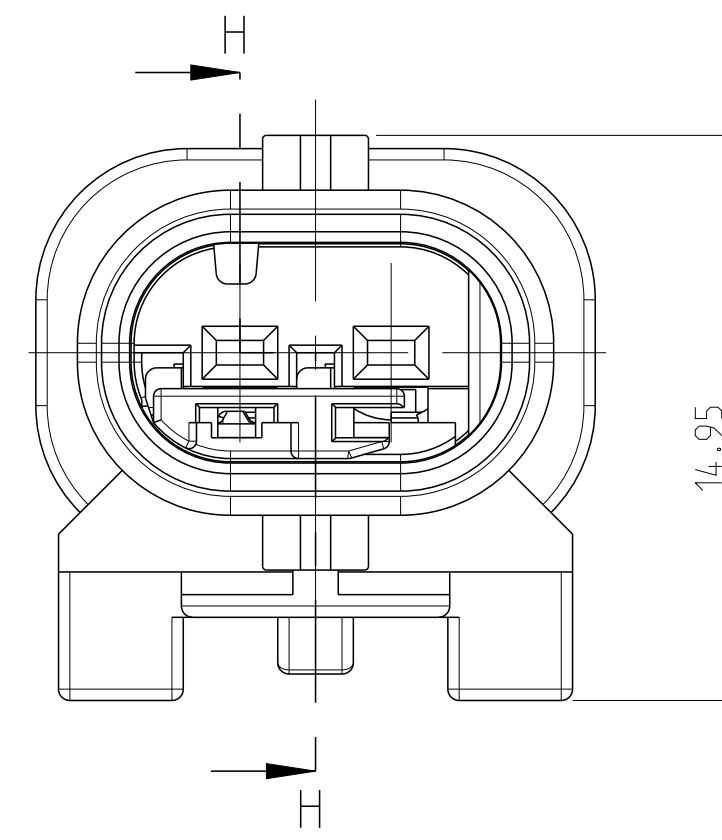
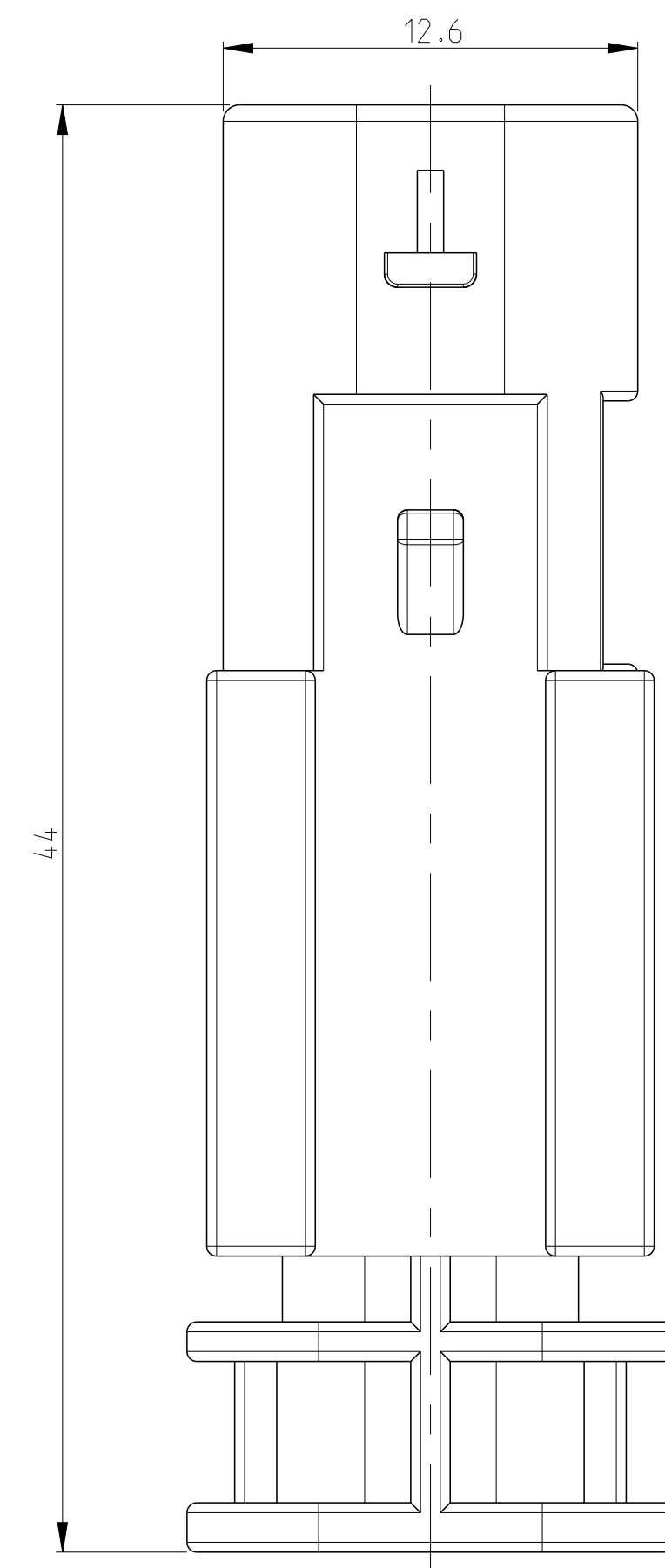
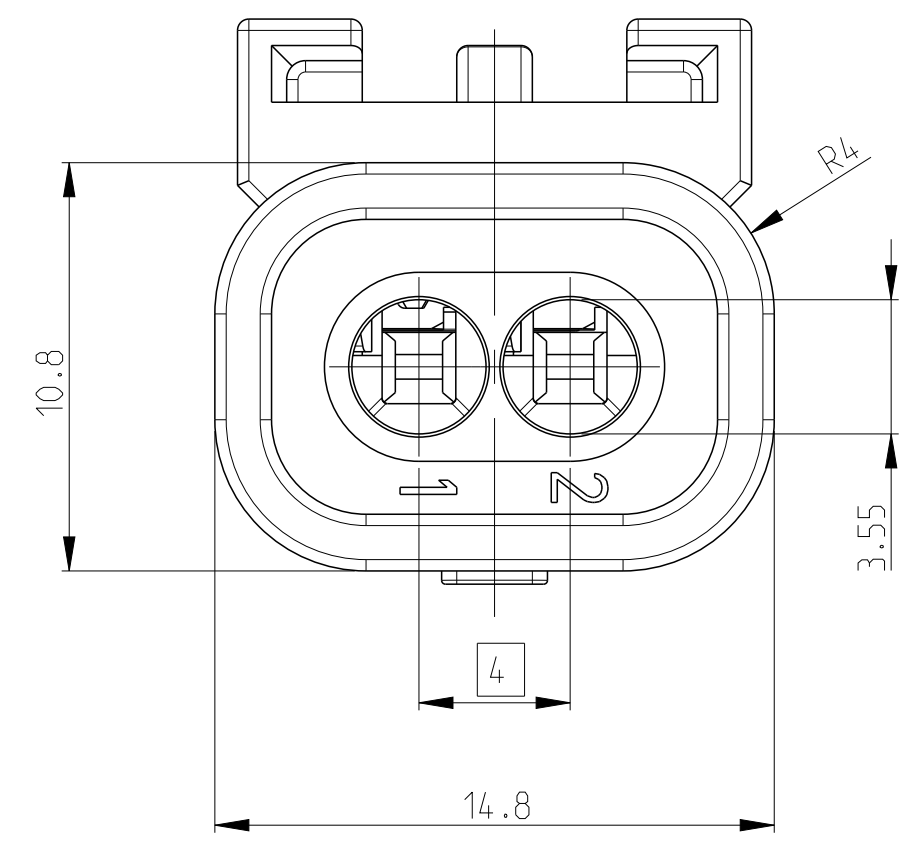
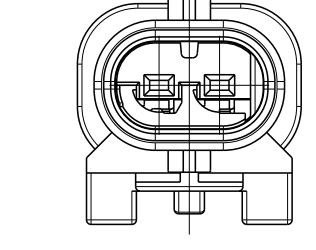


SHOWN 1-1703498-1

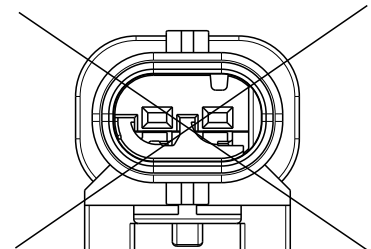


CODINGS
2:1

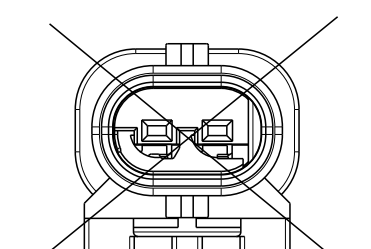
A 1-1703498-1



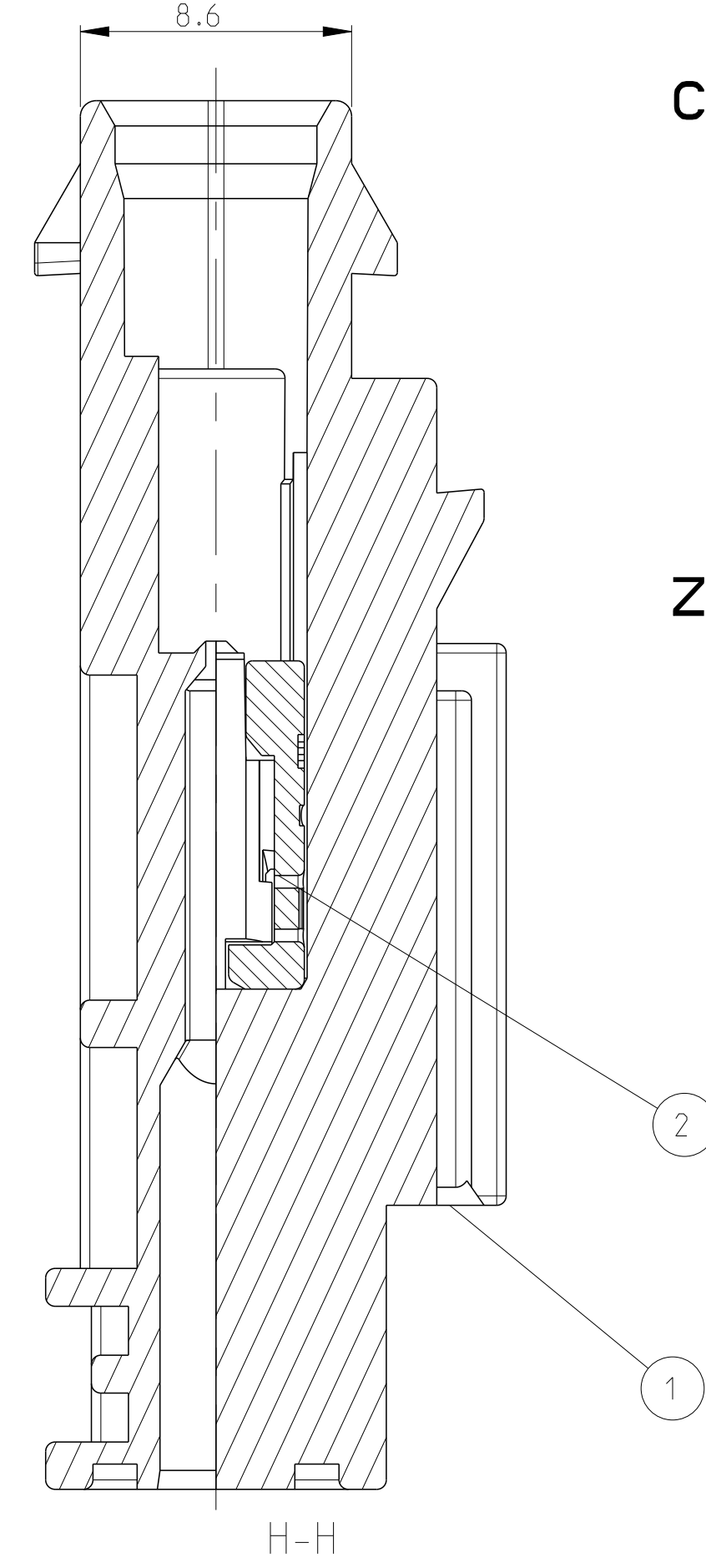
B 2-1703498-1



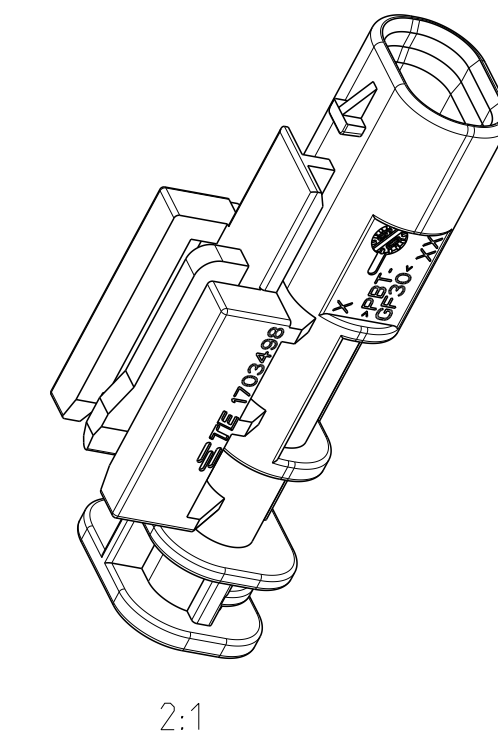
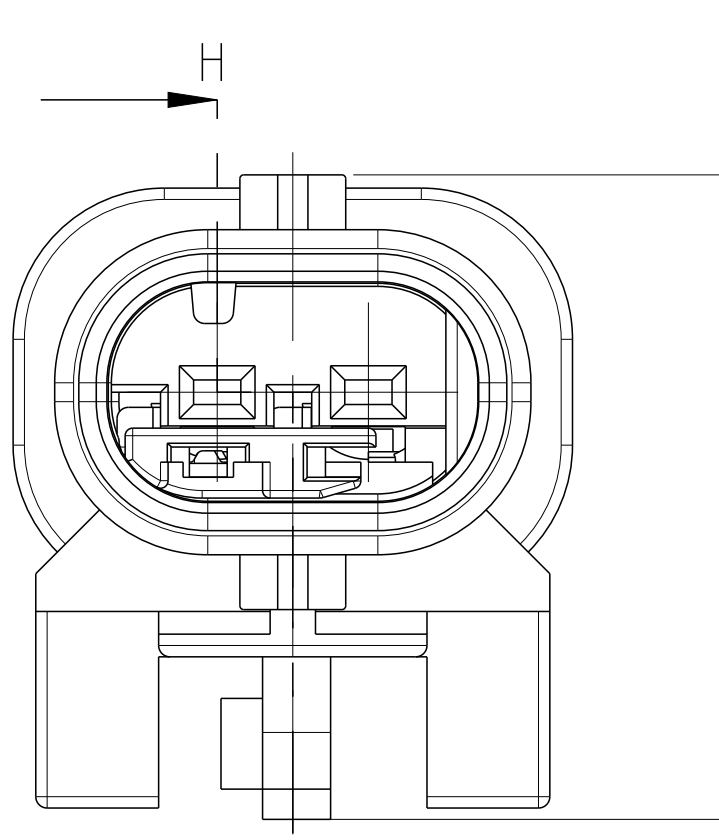
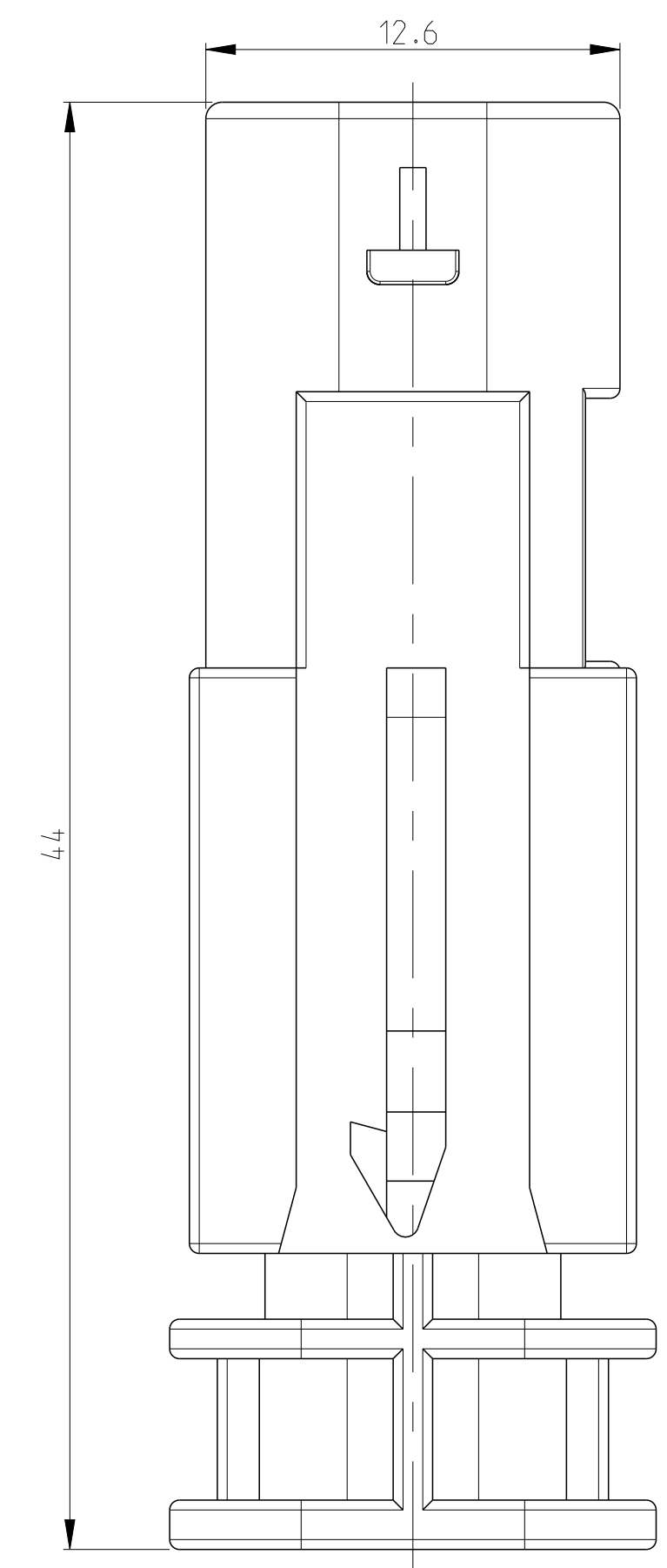
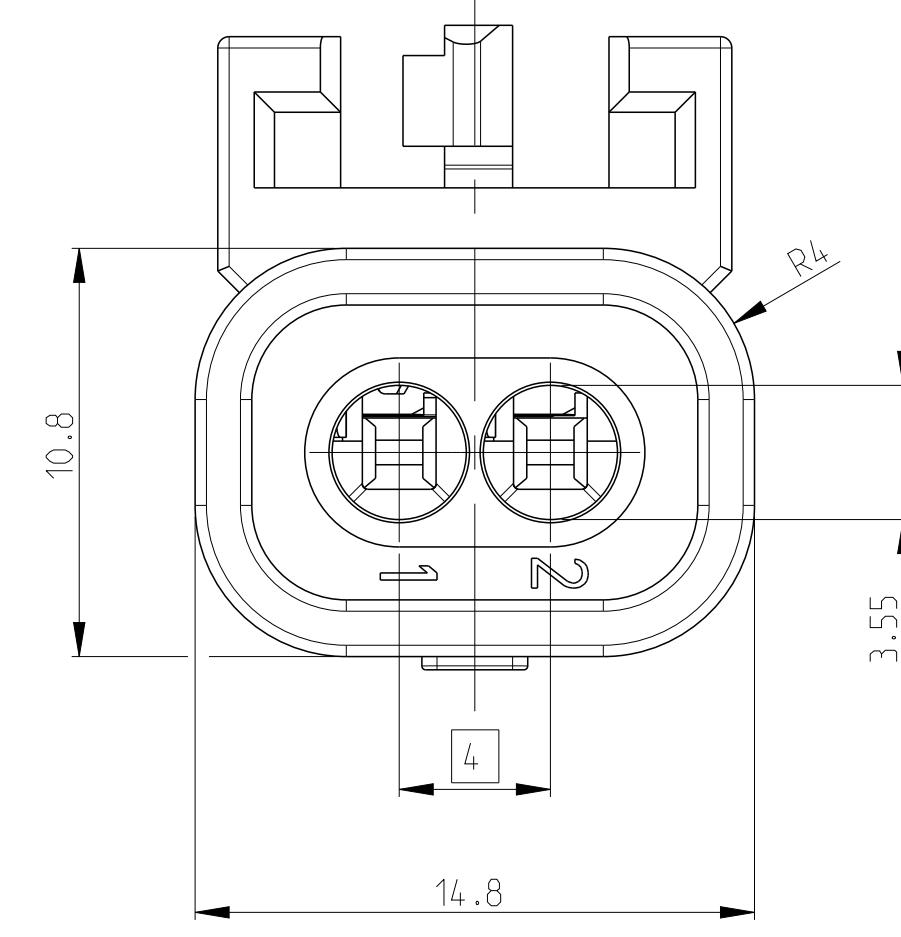
C 3-1703498-1



Z 4-1703498-1

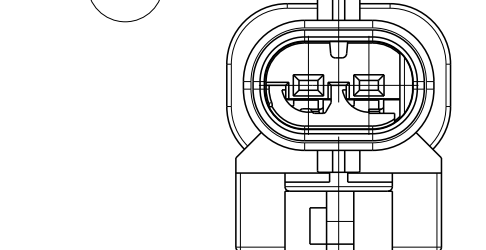


SHOWN 1-1703498-2

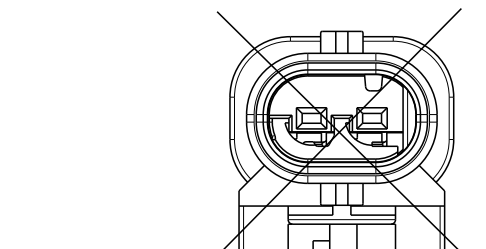


CODINGS
2:1

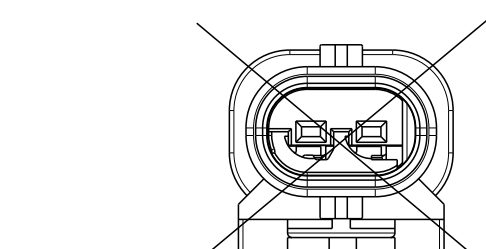
A 1-1703498-2
1-1703498-5 (VW)



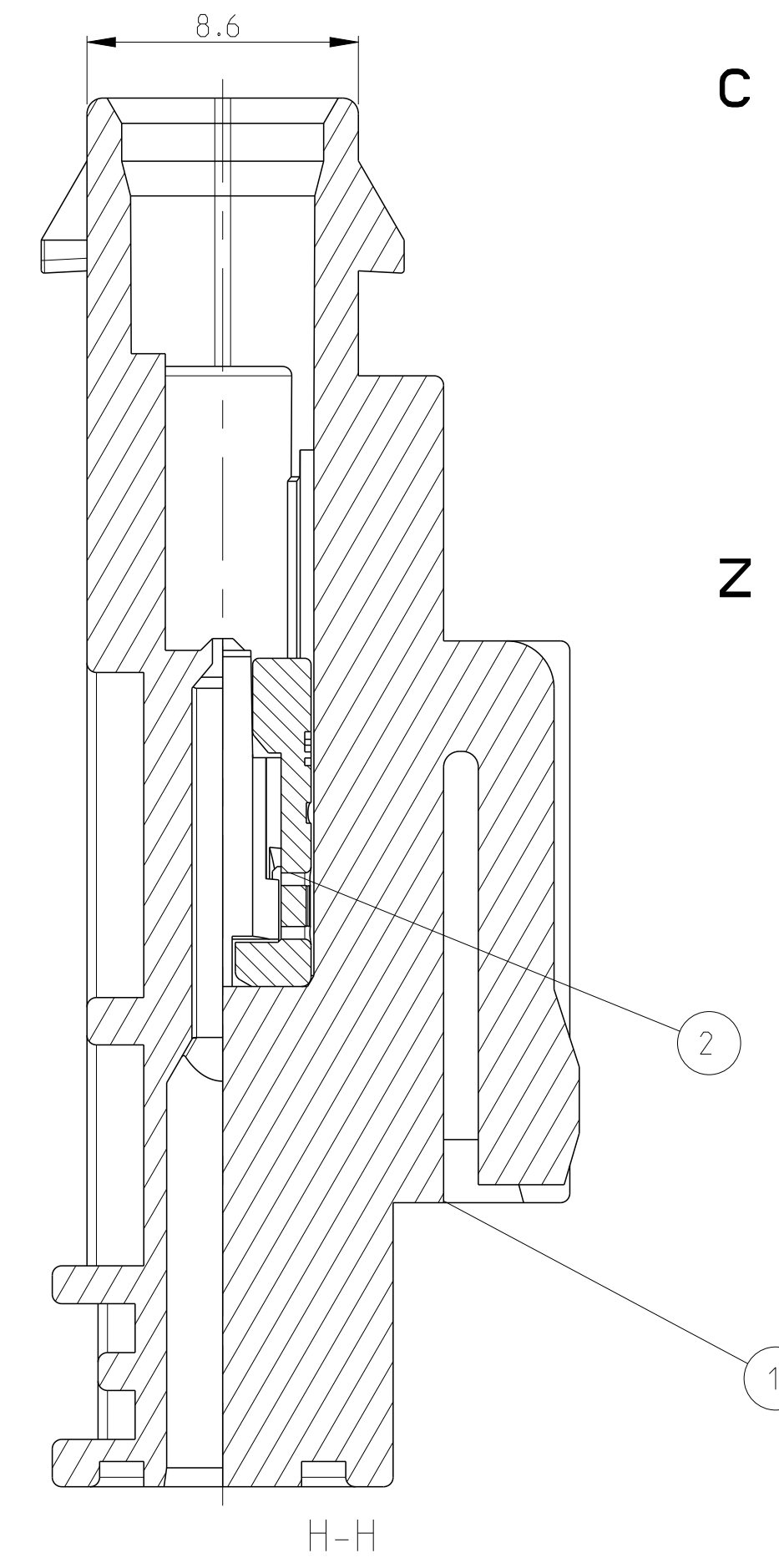
B 2-1703498-2



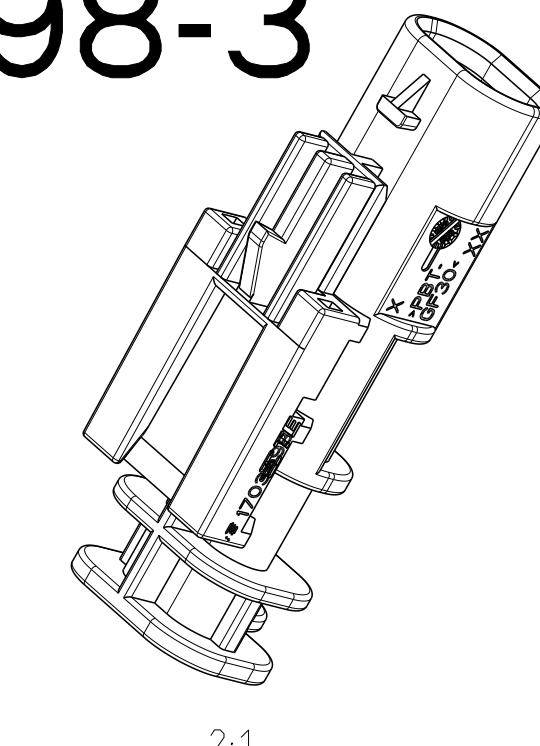
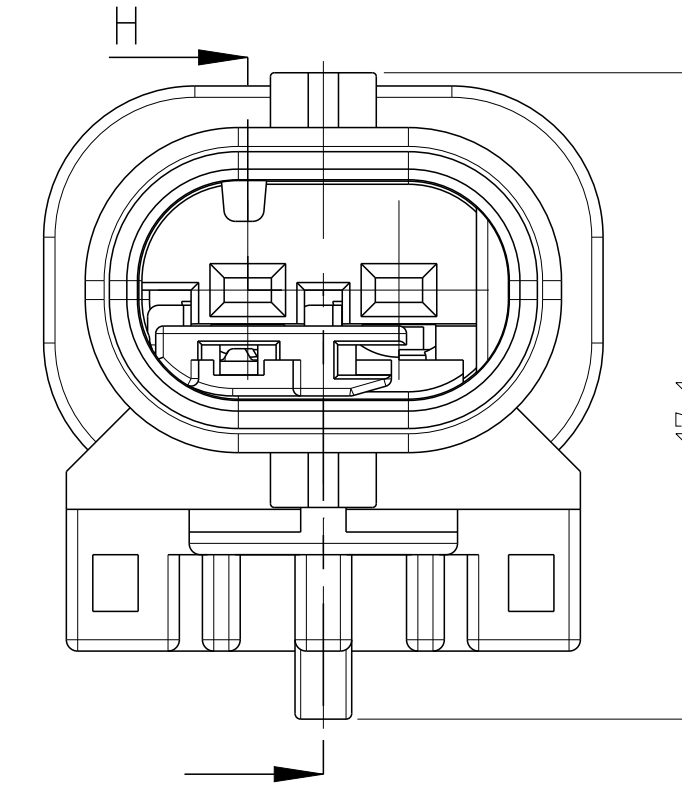
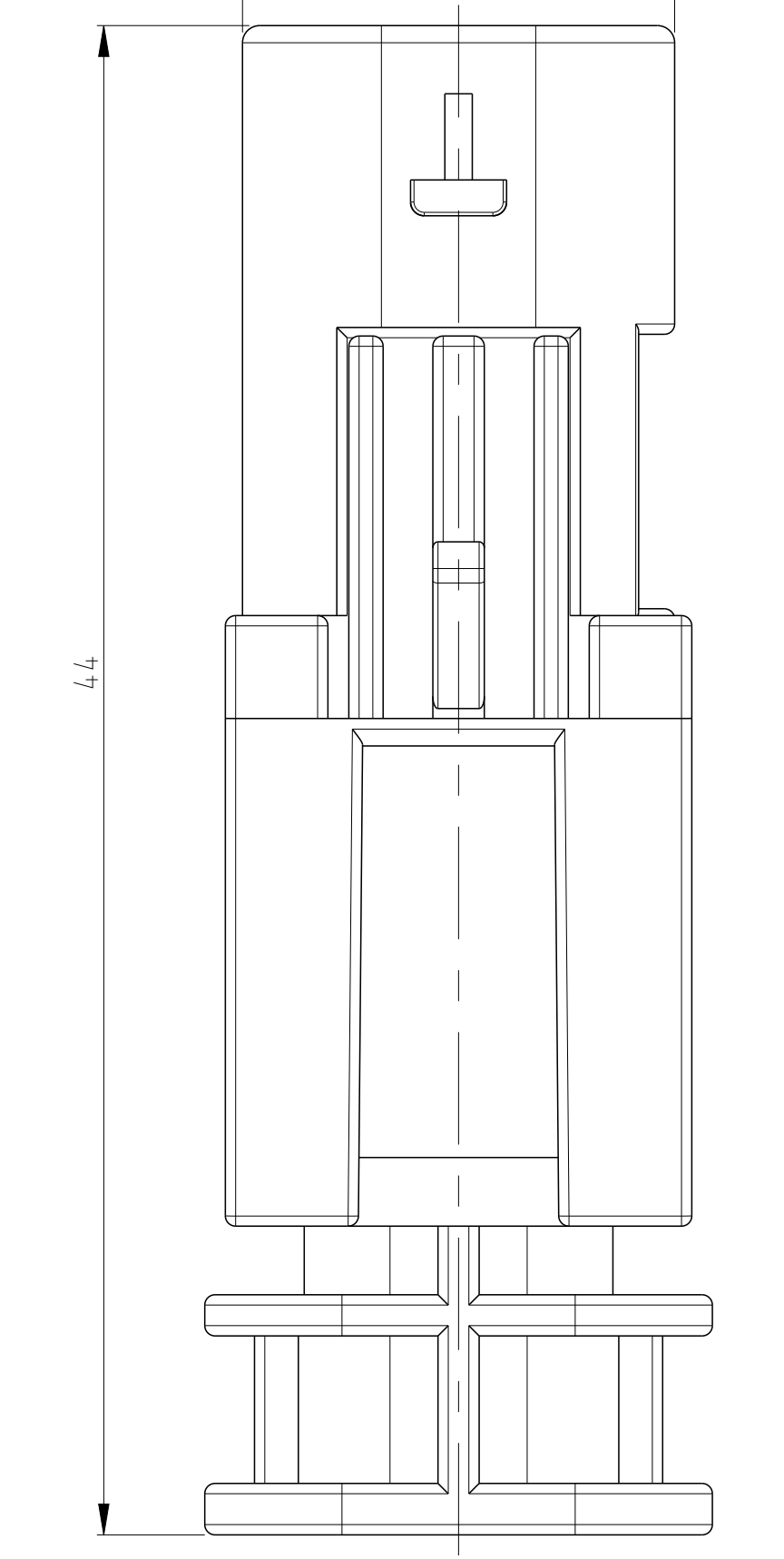
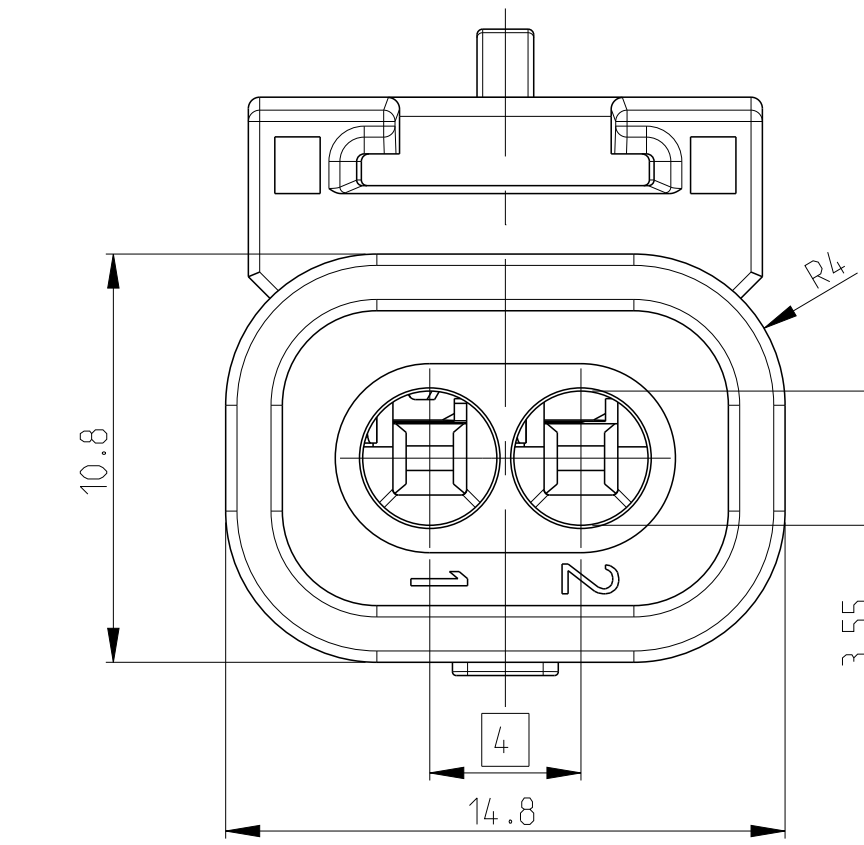
C 3-1703498-2



Z 4-1703498-2



SHOWN 1-1703498-3



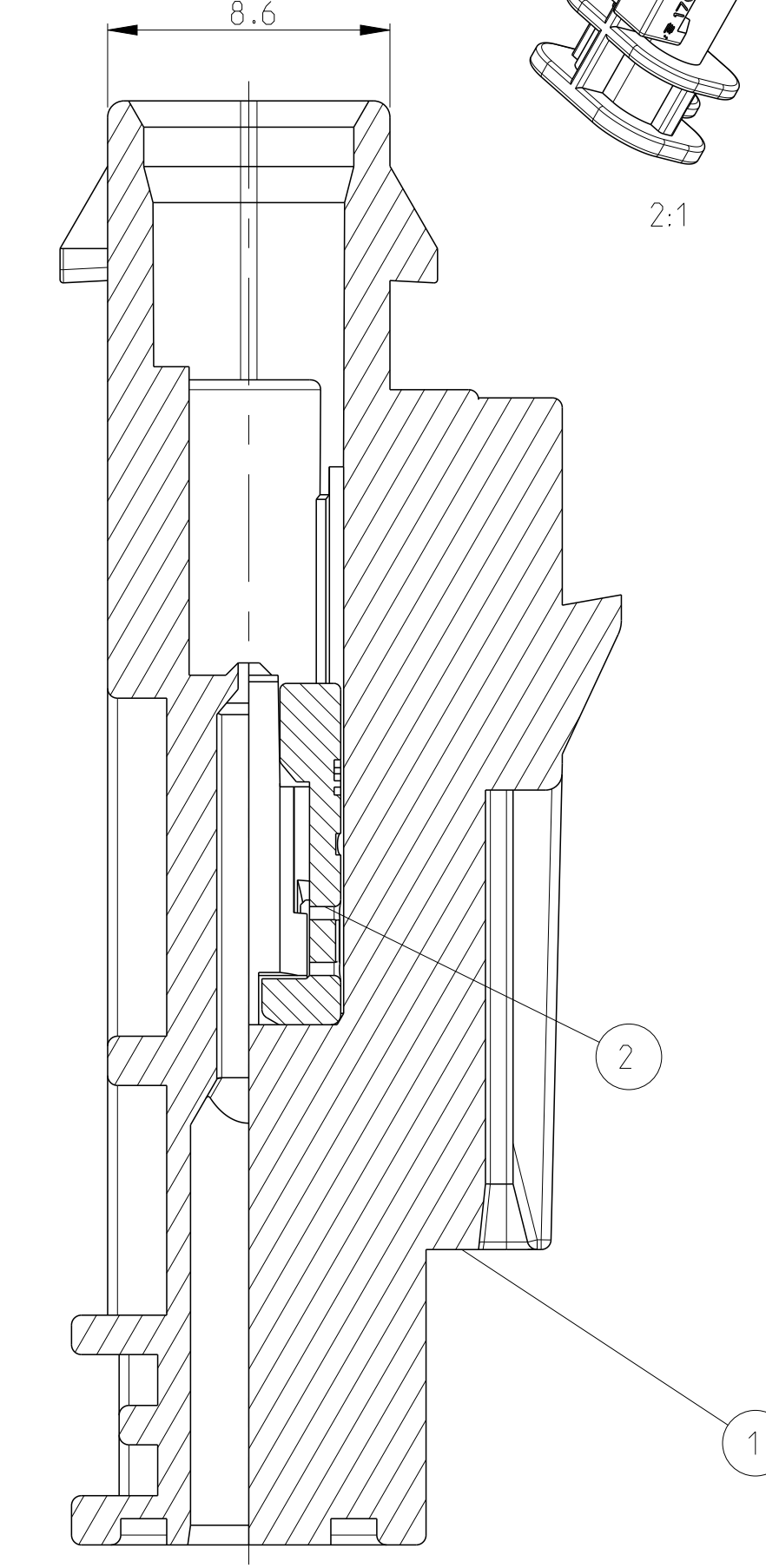
CODINGS
2:1

A 1-1703498-3 (BLACK)
1-1703498-4 (YELLOW)

B 2-1703498-3 (GREY) (C6)
2-1703498-4 (YELLOW)

C 3-1703498-3

Z 4-1703498-3



REV	DATE	DESCRIPTION	BY	CHK	APPD
C3	28APR01	REVISED PER ECO-11-005150		SK	HR
C4	25SEP013	PCN-E-13-015042		MT	HR
C5	19MAR2015	PCN-E-15-001920		MT	HR
C6	06APR2017	COLOR CORRECTION		LSZ	RT

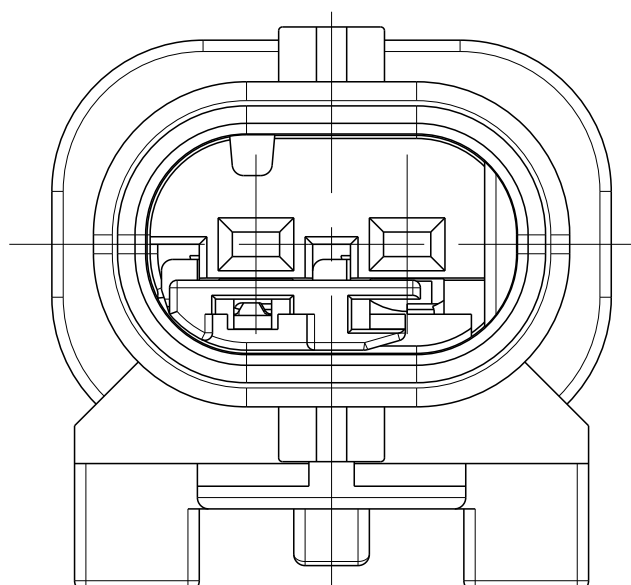
TE SUITABLE FEMALE HSG. PASSENDE BUCHSENGEH.	ASSY REV.	TE Bestell-Nr. ORDER-NO.	CODE	Benennung TITLE	QTY	Benennung Einzelteil TITLE	Werkstoff MATERIAL	Oberflaeche/Farbe SURFACE/CLOUR	Pos. ITEM
		2-1703498-4	B	Stiftgehaeuse 2pol. MALE HOUSING 2POS.	1	Kontaktsicherung RETAINER	PA66-GF35	violett/VIOLET	2
		1-1703498-4	A	Stiftgehaeuse 2pol. MALE HOUSING 2POS.	1	Stiftgehaeuse MALE HOUSING	PBT-GF30	gelb/YELLOW	1b
		1-1703498-4	A	Stiftgehaeuse 2pol. MALE HOUSING 2POS.	1	Kontaktsicherung RETAINER	PA66-GF35	violett/VIOLET	2
		1-1703498-4	A	Stiftgehaeuse 2pol. MALE HOUSING 2POS.	1	Stiftgehaeuse MALE HOUSING	PBT-GF30	gelb/YELLOW	1a
		1-1703498-3	Z	Stiftgehaeuse 2pol. MALE HOUSING 2POS.	1	Kontaktsicherung RETAINER	PA66-GF35	violett/VIOLET	2
		1-1703498-3	Z	Stiftgehaeuse 2pol. MALE HOUSING 2POS.	1	Kontaktsicherung RETAINER	PA66-GF35	schwarz/BLACK	1z
		1-1703498-3	C	Stiftgehaeuse 2pol. MALE HOUSING 2POS.	1	Kontaktsicherung RETAINER	PA66-GF35	violett/VIOLET	2
		1-1703498-3	C	Stiftgehaeuse 2pol. MALE HOUSING 2POS.	1	Stiftgehaeuse MALE HOUSING	PBT-GF30	schwarz/BLACK	1c
		2-1703498-3	B	Stiftgehaeuse 2pol. MALE HOUSING 2POS.	1	Kontaktsicherung RETAINER	PA66-GF35	violett/VIOLET	2
		2-1703498-3	B	Stiftgehaeuse 2pol. MALE HOUSING 2POS.	1	Stiftgehaeuse MALE HOUSING	PBT-GF30	grau/GREY	1b
		1-1703498-3	A	Stiftgehaeuse 2pol. MALE HOUSING 2POS.	1	Kontaktsicherung RETAINER	PA66-GF35	violett/VIOLET	2
		1-1703498-3	A	Stiftgehaeuse 2pol. MALE HOUSING 2POS.	1	Stiftgehaeuse MALE HOUSING	PBT-GF30	schwarz/BLACK	1a

TE SUITABLE FEMALE HSG. PASSENDE BUCHSENGEH.	ASSY REV.	TE Bestell-Nr. ORDER-NO.	CODE	Benennung TITLE	QTY	Benennung Einzelteil TITLE	Werkstoff MATERIAL	Oberflaeche/Farbe SURFACE/CLOUR	Pos. ITEM
		1-1703498-5	A	Stiftgehaeuse 2pol. MALE HOUSING 2POS.	1	Kontaktsicherung RETAINER	PA66-GF35	violett/VIOLET	2
		1-1703498-5	A	Stiftgehaeuse 2pol. MALE HOUSING 2POS.	1	Stiftgehaeuse MALE HOUSING	PBT-GF30	schwarz/BLACK	1a
		1-1703498-2	Z	Stiftgehaeuse 2pol. MALE HOUSING 2POS.	1	Kontaktsicherung RETAINER	PA66-GF35	violett/VIOLET	2
		1-1703498-2	Z	Stiftgehaeuse 2pol. MALE HOUSING 2POS.	1	Stiftgehaeuse MALE HOUSING	PBT-GF30	schwarz/BLACK	1z
		1-1703498-2	C	Stiftgehaeuse 2pol. MALE HOUSING 2POS.	1	Kontaktsicherung RETAINER	PA66-GF35	schwarz/BLACK	1c
		1-1703498-2	C	Stiftgehaeuse 2pol. MALE HOUSING 2POS.	1	Stiftgehaeuse MALE HOUSING	PBT-GF30	schwarz/BLACK	1c
		2-1703498-2	B	Stiftgehaeuse 2pol. MALE HOUSING 2POS.	1	Kontaktsicherung RETAINER	PA66-GF35	violett/VIOLET	2
		2-1703498-2	B	Stiftgehaeuse 2pol. MALE HOUSING 2POS.	1	Stiftgehaeuse MALE HOUSING	PBT-GF30	grau/GREY	1b
		1-1703498-2	A	Stiftgehaeuse 2pol. MALE HOUSING 2POS.	1	Kontaktsicherung RETAINER	PA66-GF35	violett/VIOLET	2
		1-1703498-2	A	Stiftgehaeuse 2pol. MALE HOUSING 2POS.	1	Stiftgehaeuse MALE HOUSING	PBT-GF30	schwarz/BLACK	1a

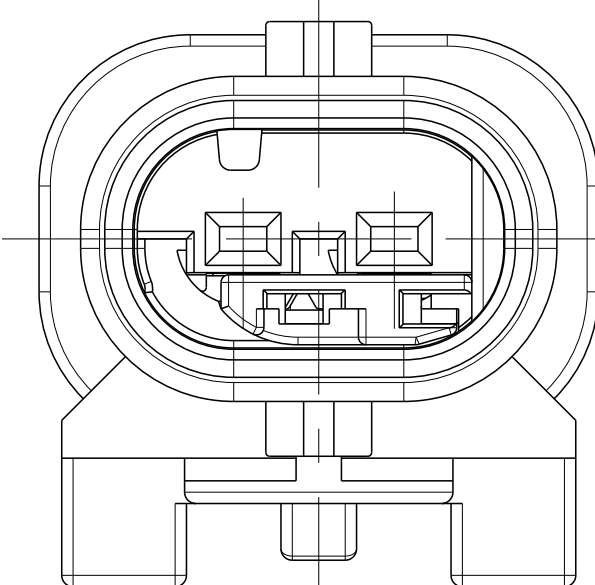
TE-PN TERMINALS	WIRE RANGE	TE-PN SINGLE WIRE SEAL	TE-PN BLIND PLUG
214868	0.08 - 0.22mm ²	967067-2	967056-1
1718758	0.25 - 0.35mm ²	967067-2	
1718760	0.5 - 0.75mm ²	967067-1	
1718762	1mm ²	967067-1	

TERMINAL TE-APPLICATION SPEC.: 114-18464

RETAINER IN PRE LOCKED POSITION
2. Kontaktsicherung in Vorraststellung



RETAINER IN FINAL LOCKED POSITION
2. Kontaktsicherung in Endraststellung



RETAINER MOVING DIRECTION
2. Kontaktsicherung Verschiebeweg

REGRIND MAX. 25%

THIS DRAWING IS A CONTROLLED DOCUMENT.		DATE: 19JUN2007	BY: A LOECSER	CHK: H. RIBBER	DATE: 19JUN2007
DIMENSIONS:	UNITS:	SCALE:	PRODUCT SPEC:	APPLICATION SPEC:	TERMINAL SPEC:
mm	mm	1:1	108-94.177	114-18910-1	114-18910-1
MATERIAL:			FINISH:	WEIGHT:	4.48g
CUSTOMER DRAWING			SCALE:	5:1	SHEET 1 OF 1



MALE HOUSING, 2POS., MCON 1.2mm LL SEALED ASSY	SIZE: 4.48g	DATE: 00779	REV: C6
--	-------------	-------------	---------

Mouser Electronics

Authorized Distributor

Click to View Pricing, Inventory, Delivery & Lifecycle Information:

[TE Connectivity:](#)

[2-1703498-4](#)