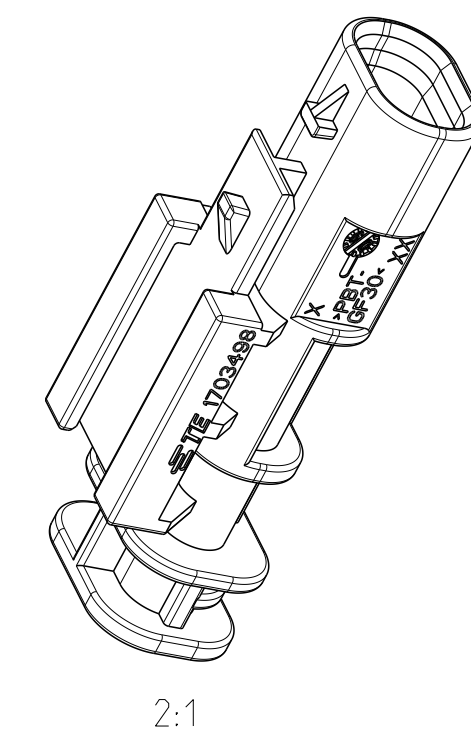
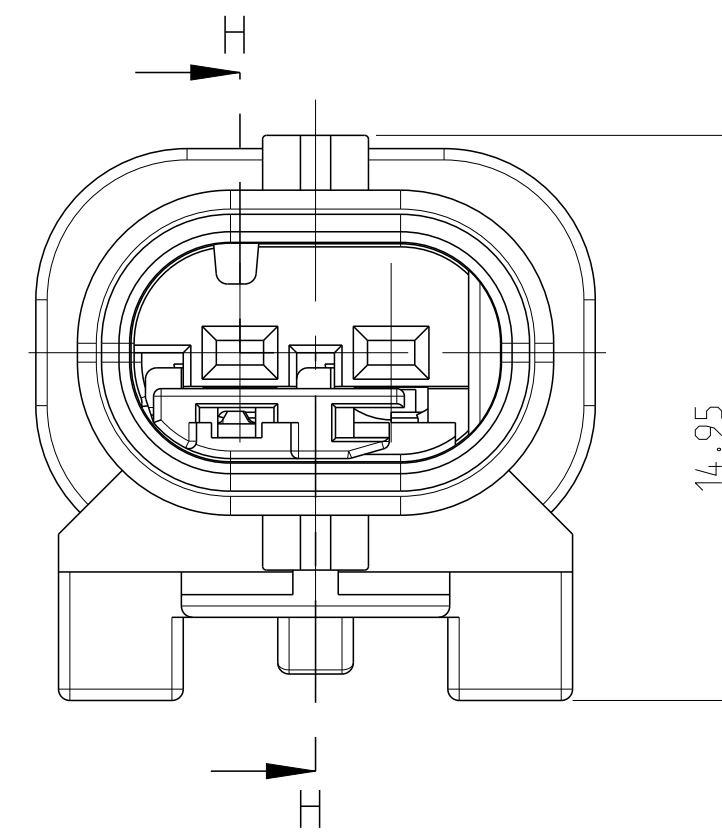
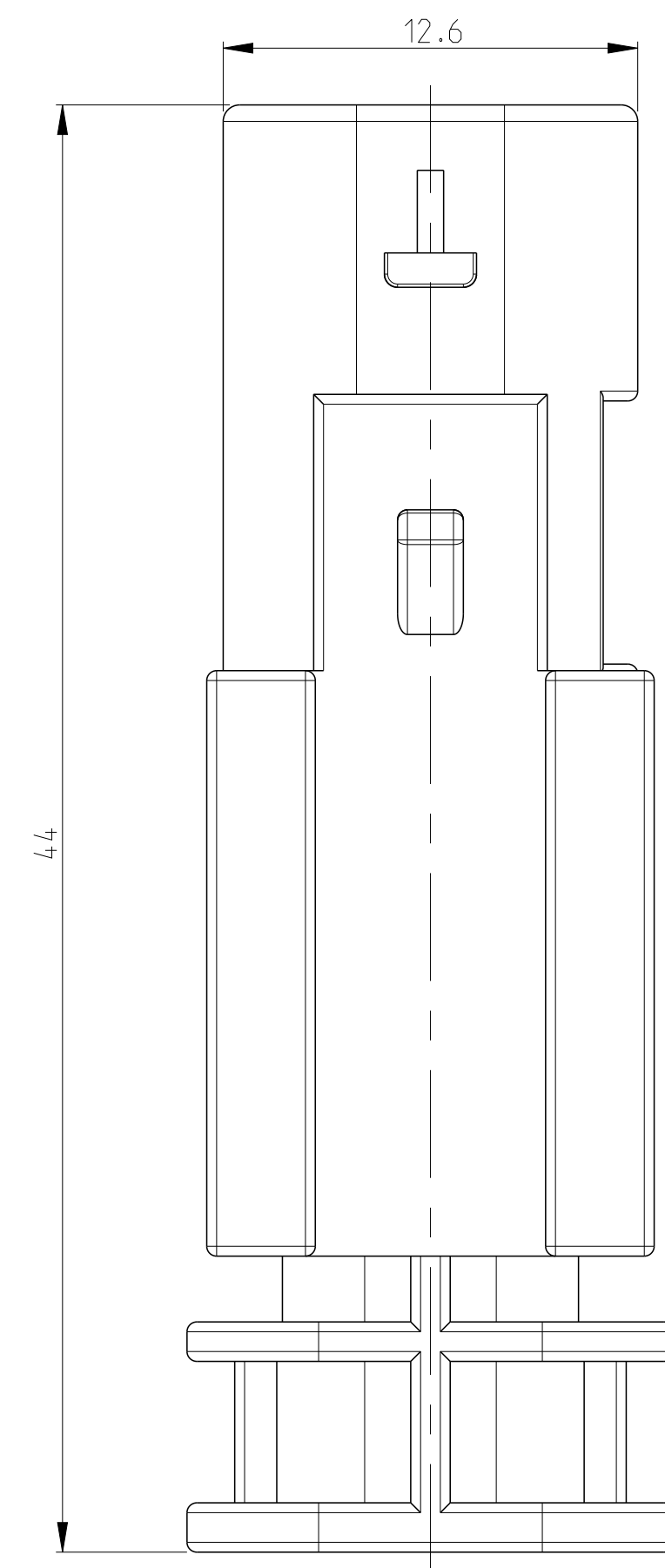
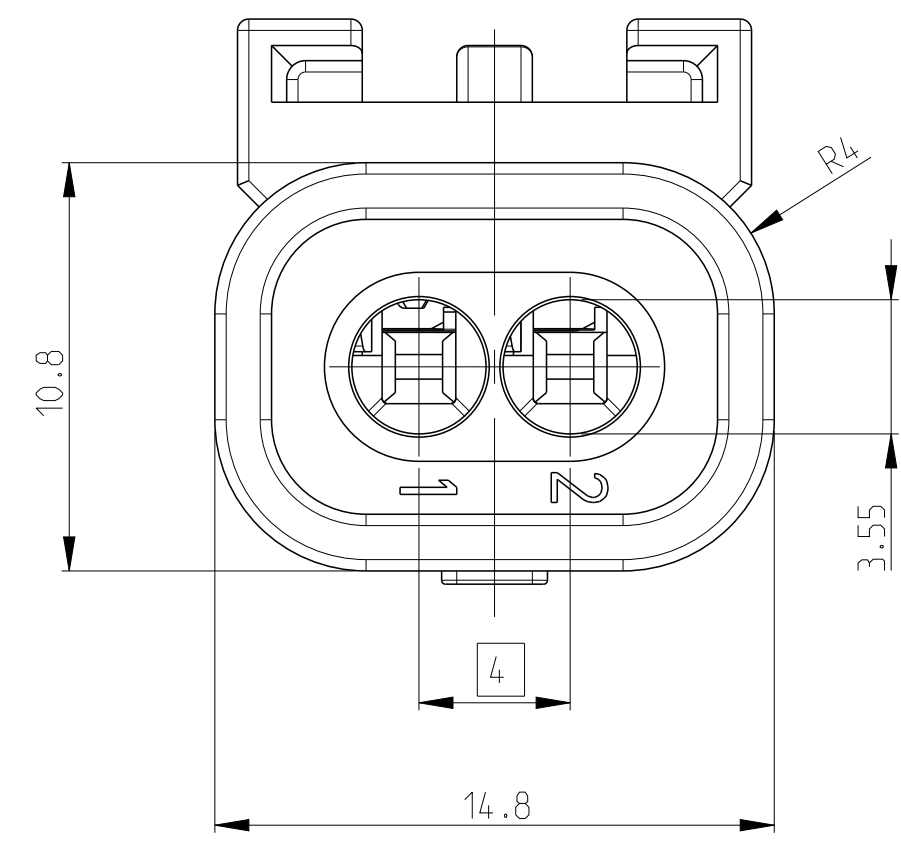


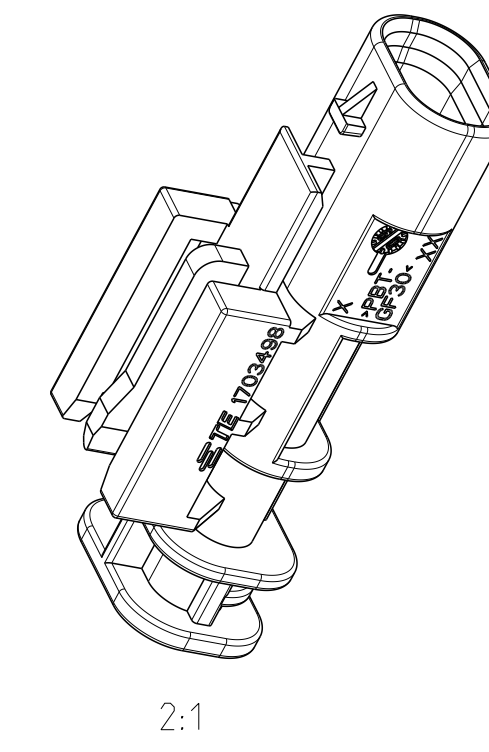
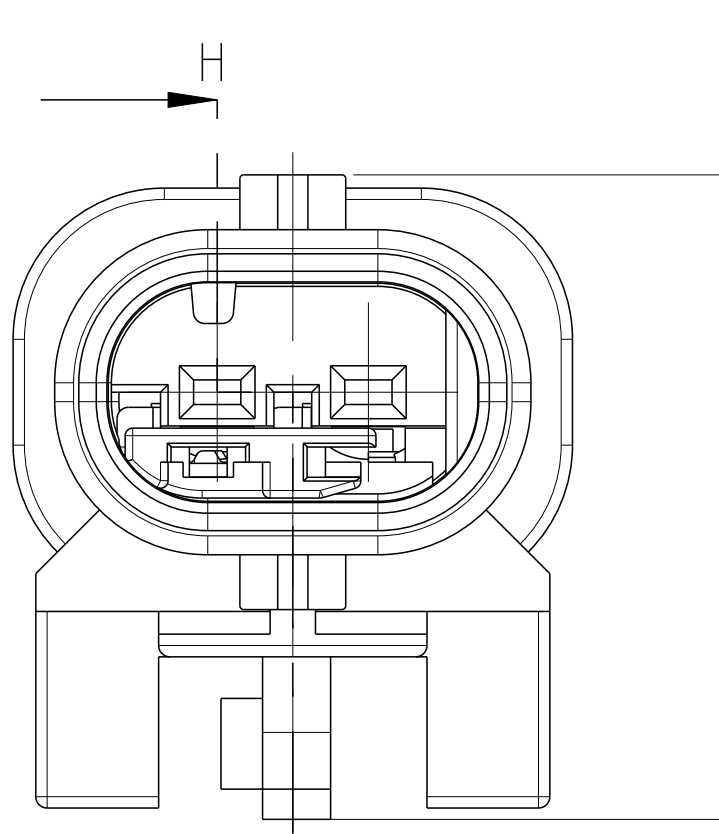
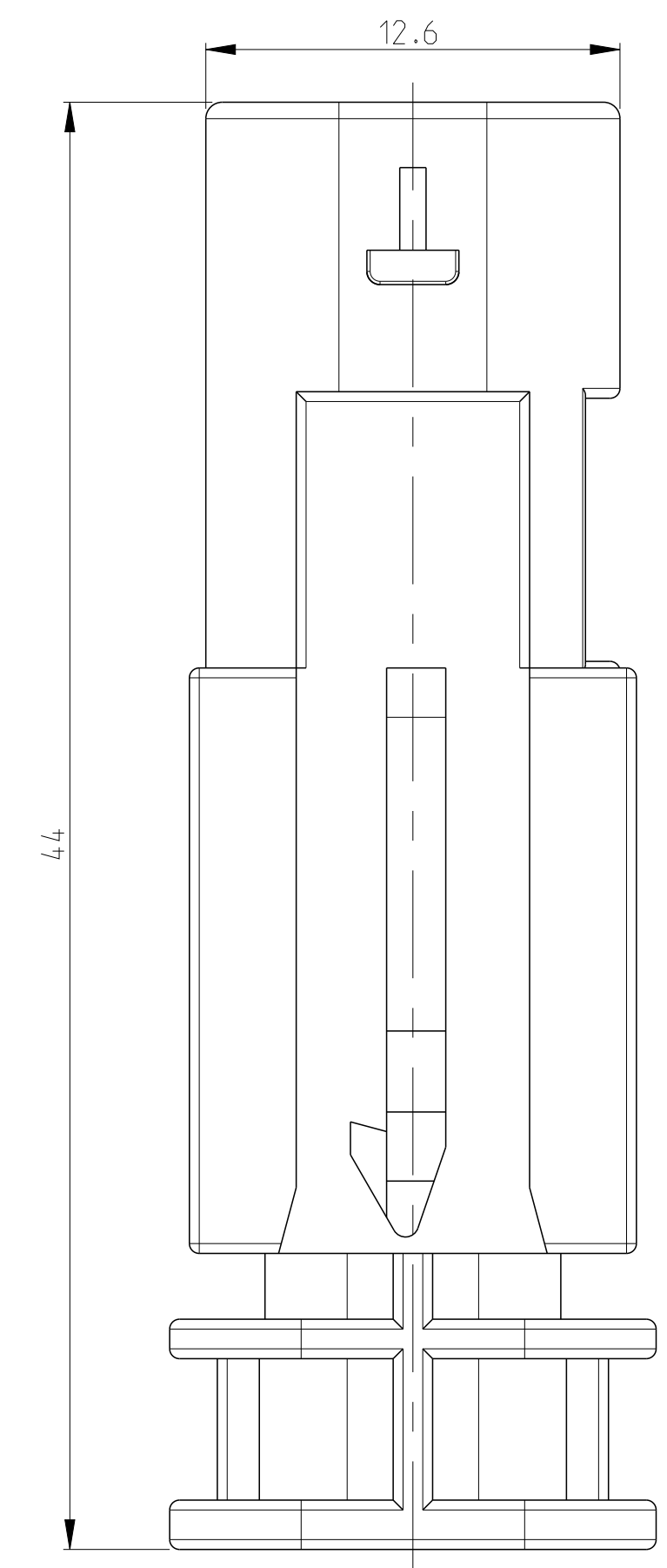
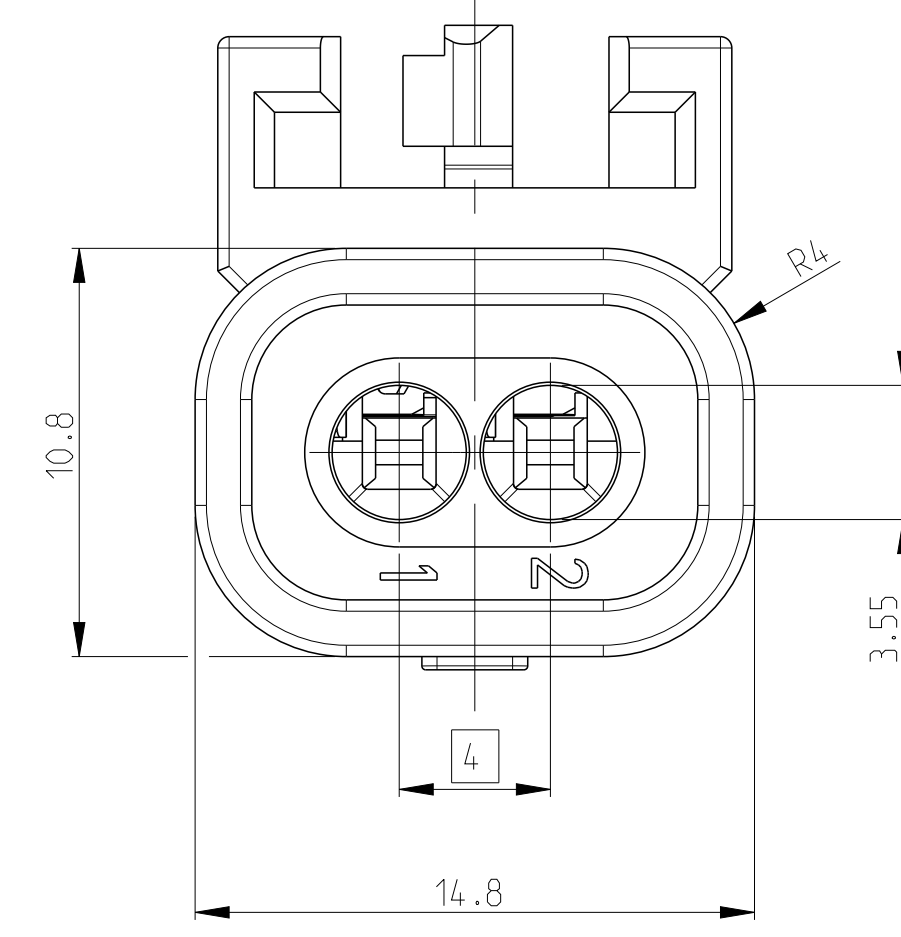
SHOWN 1-1703498-1



2:1

- CODINGS**
2:1
- A 1-1703498-1
 - B 2-1703498-1
 - C 3-1703498-1
 - Z 4-1703498-1

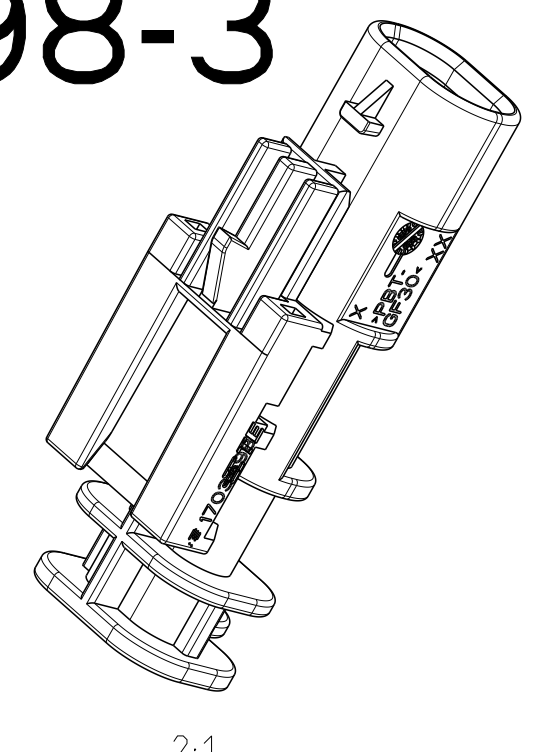
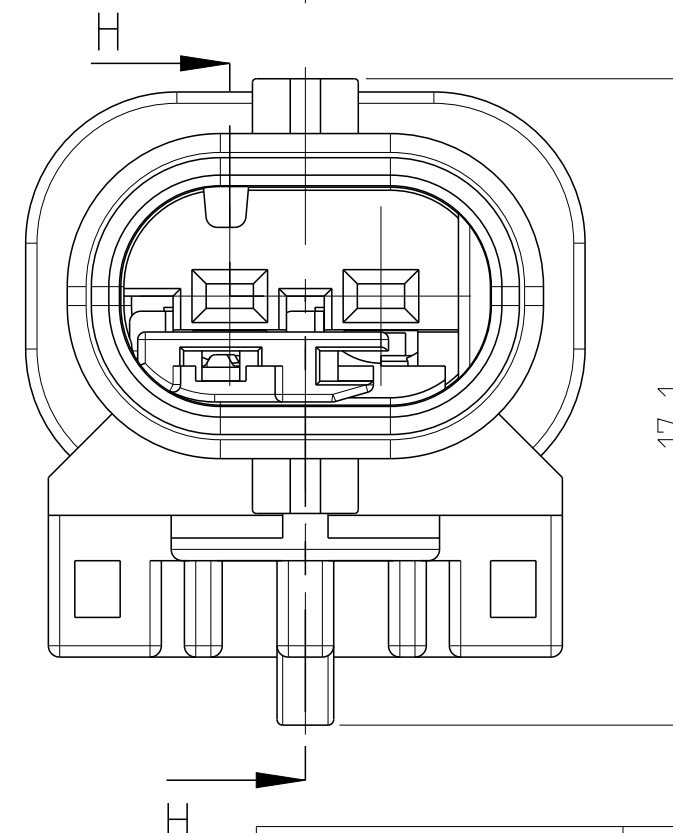
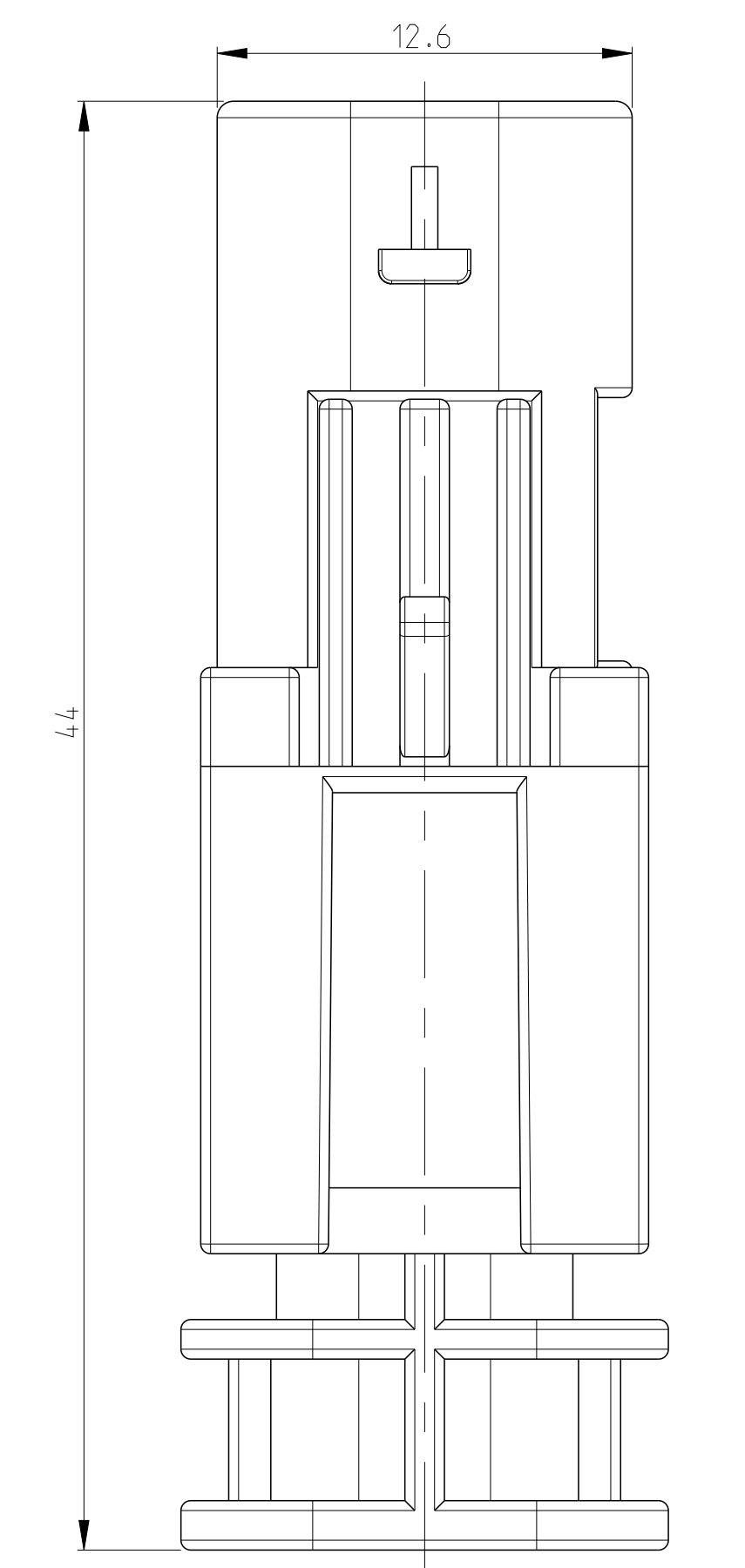
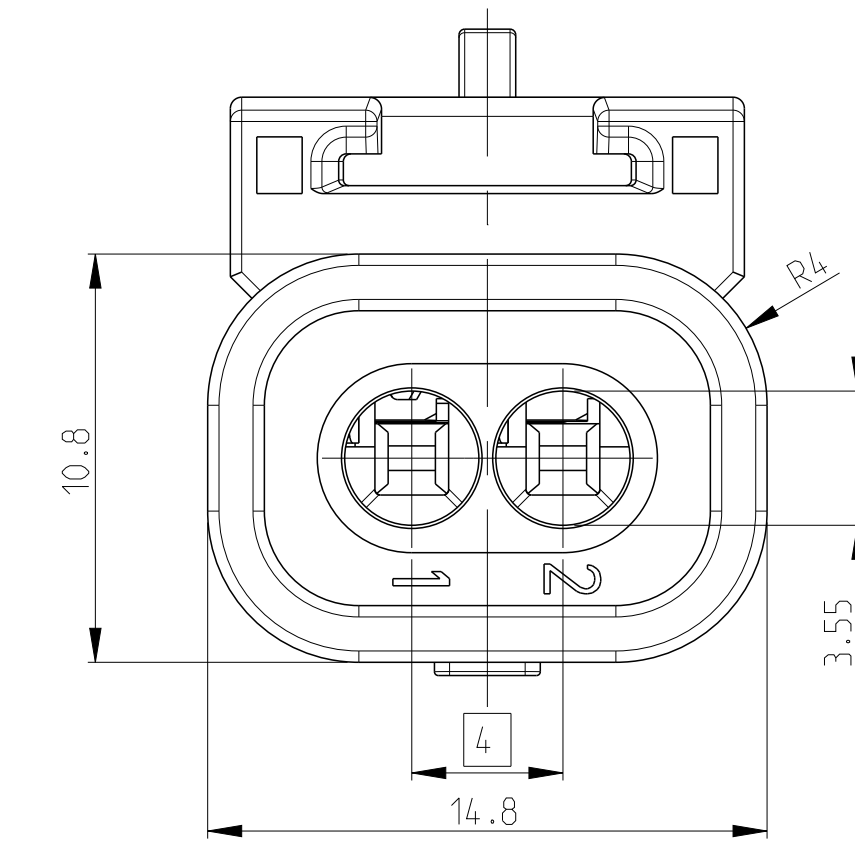
SHOWN 1-1703498-2



2:1

- CODINGS**
2:1
- A 1-1703498-2
 - 1-1703498-5 (VW)
 - B 2-1703498-2
 - C 3-1703498-2
 - Z 4-1703498-2

SHOWN 1-1703498-3

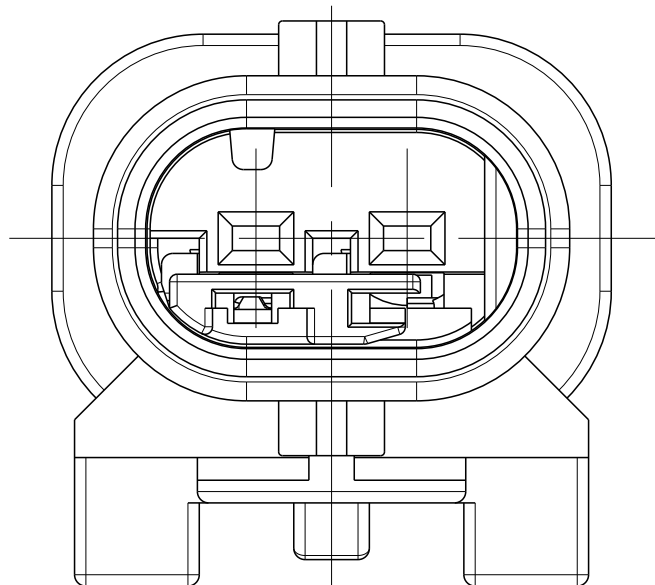


2:1

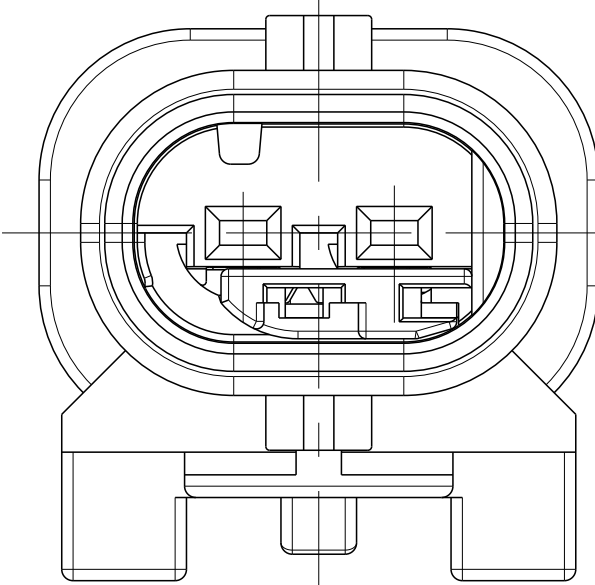
- CODINGS**
2:1
- A 1-1703498-3 (BLACK)
 - 1-1703498-4 (YELLOW)
 - B 2-1703498-3 (GREY) (C6)
 - 2-1703498-4 (YELLOW)
 - C 3-1703498-3
 - Z 4-1703498-3

REV	DATE	BY	CHK	APPD
C3	28APR01	SK	HR	
C4	25SEP01	MT	HR	
C5	19MAR02	MT	HR	
C6	06APR02	LSZ	RT	

RETAINER IN PRE LOCKED POSITION
2. Kontaktsicherung in Vorraststellung



RETAINER IN FINAL LOCKED POSITION
2. Kontaktsicherung in Endraststellung



RETAINER MOVING DIRECTION
2. Kontaktsicherung Verschiebeweg

TE-PN TERMINALS	WIRE RANGE	TE-PN SINGLE WIRE SEAL	TE-PN BLIND PLUG
214868	0.08 - 0.22mm ²	967067-2	967056-1
1718758	0.25 - 0.35mm ²	967067-2	
1718760	0.5 - 0.75mm ²	967067-1	
1718762	1mm ²	967067-1	

TERMINAL TE-APPLICATION SPEC.: 114-18464

TE SUITABLE FEMALE HSG. PASSENDE BUCHSENGH.	ASSY REV.	TE Bestell-Nr. ORDER-NO.	CODE	Benennung TITLE	QTY	Benennung Einzelteil TITLE	Werkstoff MATERIAL	Oberflaeche/Farbe SURFACE/CLOUR	Pos. ITEM
-	C	2-1703498-4	B	Stiftgehaeuse 2pol. MALE HOUSING 2POS.	1	Kontaktsicherung RETAINER	PA66-GF35	violett/VIOLET	2
-	C	1-1703498-4	A	Stiftgehaeuse 2pol. MALE HOUSING 2POS.	1	Stiftgehaeuse 2pol. MALE HOUSING 2POS.	PBT-GF30	gelb/YELLOW	1b
-	C	1-1703498-4	A	Stiftgehaeuse 2pol. MALE HOUSING 2POS.	1	Kontaktsicherung RETAINER	PA66-GF35	violett/VIOLET	2
-	C	1-1703498-4	A	Stiftgehaeuse 2pol. MALE HOUSING 2POS.	1	Stiftgehaeuse 2pol. MALE HOUSING 2POS.	PBT-GF30	gelb/YELLOW	1a
-	C	4-1703498-3	Z	Stiftgehaeuse 2pol. MALE HOUSING 2POS.	1	Kontaktsicherung RETAINER	PA66-GF35	violett/VIOLET	2
-	C	4-1703498-3	Z	Stiftgehaeuse 2pol. MALE HOUSING 2POS.	1	Kontaktsicherung RETAINER	PBT-GF30	schwarz/BLACK	1z
-	C	3-1703498-3	C	Stiftgehaeuse 2pol. MALE HOUSING 2POS.	1	Kontaktsicherung RETAINER	PA66-GF35	violett/VIOLET	2
-	C	3-1703498-3	C	Stiftgehaeuse 2pol. MALE HOUSING 2POS.	1	Stiftgehaeuse 2pol. MALE HOUSING 2POS.	PBT-GF30	schwarz/BLACK	1c
-	C	2-1703498-3	B	Stiftgehaeuse 2pol. MALE HOUSING 2POS.	1	Kontaktsicherung RETAINER	PA66-GF35	violett/VIOLET	2
-	C	2-1703498-3	B	Stiftgehaeuse 2pol. MALE HOUSING 2POS.	1	Stiftgehaeuse 2pol. MALE HOUSING 2POS.	PBT-GF30	grau/GREY	1b
-	C	1-1703498-3	A	Stiftgehaeuse 2pol. MALE HOUSING 2POS.	1	Kontaktsicherung RETAINER	PA66-GF35	violett/VIOLET	2
-	C	1-1703498-3	A	Stiftgehaeuse 2pol. MALE HOUSING 2POS.	1	Stiftgehaeuse 2pol. MALE HOUSING 2POS.	PBT-GF30	schwarz/BLACK	1a
-	C	1-1703498-5	A	Stiftgehaeuse 2pol. MALE HOUSING 2POS.	1	Kontaktsicherung RETAINER	PA66-GF35	violett/VIOLET	2
-	C	1-1703498-5	A	Stiftgehaeuse 2pol. MALE HOUSING 2POS.	1	Stiftgehaeuse 2pol. MALE HOUSING 2POS.	PBT-GF30	schwarz/BLACK	1a
-	C	4-1703498-2	Z	Stiftgehaeuse 2pol. MALE HOUSING 2POS.	1	Kontaktsicherung RETAINER	PA66-GF35	violett/VIOLET	2
-	C	4-1703498-2	Z	Stiftgehaeuse 2pol. MALE HOUSING 2POS.	1	Stiftgehaeuse 2pol. MALE HOUSING 2POS.	PBT-GF30	schwarz/BLACK	1z
-	C	3-1703498-2	C	Stiftgehaeuse 2pol. MALE HOUSING 2POS.	1	Kontaktsicherung RETAINER	PA66-GF35	violett/VIOLET	2
-	C	3-1703498-2	C	Stiftgehaeuse 2pol. MALE HOUSING 2POS.	1	Stiftgehaeuse 2pol. MALE HOUSING 2POS.	PBT-GF30	schwarz/BLACK	1c
-	C	2-1703498-2	B	Stiftgehaeuse 2pol. MALE HOUSING 2POS.	1	Kontaktsicherung RETAINER	PA66-GF35	violett/VIOLET	2
-	C	2-1703498-2	B	Stiftgehaeuse 2pol. MALE HOUSING 2POS.	1	Stiftgehaeuse 2pol. MALE HOUSING 2POS.	PBT-GF30	grau/GREY	1b
-	C	1-1703498-2	A	Stiftgehaeuse 2pol. MALE HOUSING 2POS.	1	Kontaktsicherung RETAINER	PA66-GF35	violett/VIOLET	2
-	C	1-1703498-2	A	Stiftgehaeuse 2pol. MALE HOUSING 2POS.	1	Stiftgehaeuse 2pol. MALE HOUSING 2POS.	PBT-GF30	schwarz/BLACK	1a
-	C	4-1703498-1	Z	Stiftgehaeuse 2pol. MALE HOUSING 2POS.	1	Kontaktsicherung RETAINER	PA66-GF35	violett/VIOLET	2
-	C	4-1703498-1	Z	Stiftgehaeuse 2pol. MALE HOUSING 2POS.	1	Stiftgehaeuse 2pol. MALE HOUSING 2POS.	PBT-GF30	schwarz/BLACK	1z
-	C	3-1703498-1	C	Stiftgehaeuse 2pol. MALE HOUSING 2POS.	1	Kontaktsicherung RETAINER	PA66-GF35	violett/VIOLET	2
-	C	3-1703498-1	C	Stiftgehaeuse 2pol. MALE HOUSING 2POS.	1	Stiftgehaeuse 2pol. MALE HOUSING 2POS.	PBT-GF30	schwarz/BLACK	1c
-	C	2-1703498-1	B	Stiftgehaeuse 2pol. MALE HOUSING 2POS.	1	Kontaktsicherung RETAINER	PA66-GF35	violett/VIOLET	2
-	C	2-1703498-1	B	Stiftgehaeuse 2pol. MALE HOUSING 2POS.	1	Stiftgehaeuse 2pol. MALE HOUSING 2POS.	PBT-GF30	grau/GREY	1b
-	C	1-1703498-1	A	Stiftgehaeuse 2pol. MALE HOUSING 2POS.	1	Kontaktsicherung RETAINER	PA66-GF35	violett/VIOLET	2
-	C	1-1703498-1	A	Stiftgehaeuse 2pol. MALE HOUSING 2POS.	1	Stiftgehaeuse 2pol. MALE HOUSING 2POS.	PBT-GF30	schwarz/BLACK	1a

REGRIND MAX. 25%

DATE: 19JUN2007	BY: A LOESER	CHK: H. RIBBER	DATE: 19JUN2007
DIMENSIONS: DIM: 10.8, 14.8, 3.55, 4, 12.6, 4.4, 8.6, 17.05, 14.95		MATERIAL: PBT-GF30, PA66-GF35	
FINISH: REGRIND MAX. 25%		WEIGHT: 4.48g	
CUSTOMER DRAWING		SCALE: 5:1	

MALE HOUSING, 2POS., MCON 1.2mm LL SEALED ASSY		SHEET 1 OF 1	
REV C		DATE: 00779	

Mouser Electronics

Authorized Distributor

Click to View Pricing, Inventory, Delivery & Lifecycle Information:

[TE Connectivity:](#)

[2-1703498-1](#)