

MATED WITH: PASSEND ZU:	LOC A1	DIST —	REVISIONS ÄNDERUNGEN DESCRIPTION BESCHREIBUNG			DATE	DWN	APVD
PROJEKT NR.: —			P	LTR		22MAR11	RK	HMR
			A1	REVISED PER ECO-11-005150				

Customer Drawing
for PN 1703013


SEE 1703020

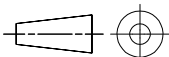
RELEASED FOR PUBLICATION
FREI FÜR VERÖFFENTLICHUNG
ALL RIGHTS RESERVED.

THIS DRAWING IS UNPUBLISHED.
VERTRAULICHE UNVERÖFFENTLICHTE ZEICHNUNG.

By —
COPYRIGHT —

—	—	—	—	—	—	—	—
CUSTOMER PART NO	PART NO	REV.	PCS.	MATERIAL	SURFACE COLOR	DESCRIPTION	

DIMENSIONS: MASSENHHEITEN mm	DWN	04-FEB-04	MATERIAL	FINISH OBERFLÄECHE/FARBE	—			
	Abraham,G.		—	—				
TOLERANCES UNLESS OTHERWISE SPECIFIED: ALLGEMEINTOLERANZEN ISO 8015 p. ISO 2768 - MH - E p. DIN 16901 - 140	CHK	05-FEB-04	 TE Connectivity					
	Goeppel,C.							
0 PLC ± - 1 PLC ± - 2 PLC ± - 3 PLC ± - 4 PLC ± - ANGLES / WINKEL ± -	APVD	06-FEB-04	NAME DIA. 1.5mm PIN CONTACT, SINGLE WIRE SEALING DIA 1.5mm Stiftkontakt, Einzeldichtungssystem					
	Bleicher,M.							
PRODUCT SPEC PRODUKTSPEZ. —	SIZE	A4	CAGE CODE	00779	DRAWING NO ZEICHNUNGS-NR.	RESTRICTED TO NUR FUER		
	APPLICATION SPEC VERARBEITUNGSSPEZ. —				C-1703013	—		
WEIGHT GEWICHT	—							
CUSTOMER DRAWING / KUNDENZEICHNUNG				SCALE MASSSTAB	—	SHEET BLATT	1 OF 1 VON	REV A1



Mouser Electronics

Authorized Distributor

Click to View Pricing, Inventory, Delivery & Lifecycle Information:

[TE Connectivity:](#)

[1703013-2](#)